



JOB NAME:	CONTRACTOR:
JOB LOCATION:	APPROVAL:
ENGINEER:	CONTRACTOR P.O.:
APPROVAL:	REPRESENTATIVE:

M8E064-00*

250N DIRECT MOUNT, 2-WAY BRASS, FULL PORT BALL VALVE W METAL ELECTRIC ACTUATOR SIZES 1/4" TO 4"

M8E068-00*

253N DIRECT MOUNT, 2-WAY BRASS, S/S BALL & STEM FULL PORT BALL VALVE W METAL ELECTRIC ACTUATOR SIZES 1/4" TO 2"

*001	12V AC/DC	*002	24V AC/DC	*003	100-240V AC
01	BATTERY BACKUP	*02*	POSITIONER	*04*	BATTERY BACKUP W POSITIONER

SPECIFICATIONS

Bonomi North America series M8E064 brass automated ball valve package features a rugged NEMA 4 metal housing and a full port 600 psi brass ball valve.

The electric actuator is loaded with extras such as: either a dual 100-240VAC or a 24AC/DC motor, a 12VDC option, two additional limit switches, a heatER/thermostat, dome position indicator, dual ISO patterns, 75% duty cycle, 1/2" conduit connections and more.

The valve is the 250N or 253N, brass full port, low torque, with double O-ring stem seals for maximum temperature fluctuation protection. The 250N comes in sizes 1/4" - 4", and the 253N in sizes 1/4" - 2". The valve series also incorporates a four point ISO pad with a square stem for direct mounting.

The M8E064 series package can be mounted either vertically or horizontally without the damage to the stem area.

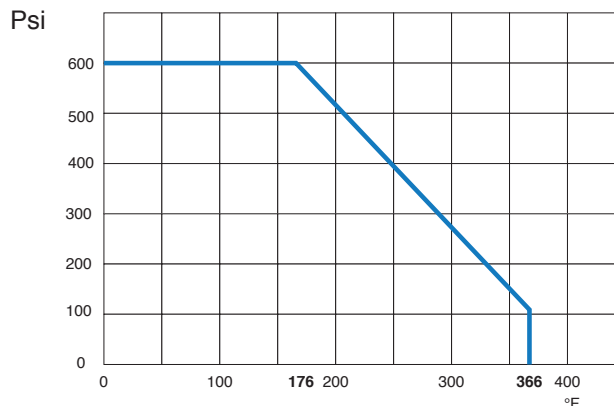
ACTUATOR FEATURES

- Dual Voltages
- 24V AC/DC and 100-240V AC Models Available
- ISO 5211, F03/F05 base with 11mm female drive
- 75% Duty Cycle
- Anti-condensation heater, (when red wire is connected to power)
- High-Strength, Die Cast Aluminum Powder Coated Housing
- Temperature Range -4°F to 131°F
- NEMA 4 Housing
- Two Auxiliary Switches Standard
- Torque limiter standard

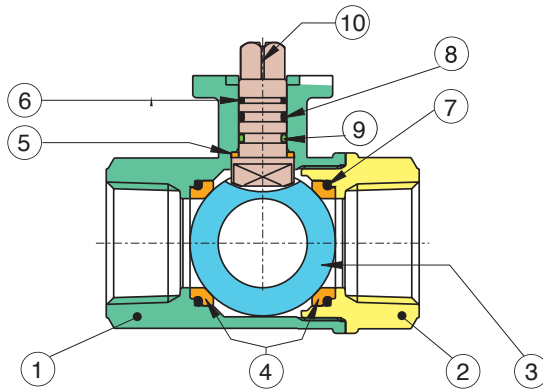
VALVE FEATURES

- 250N - Brass w/ Chrome Plated Ball & Stem
- 253N - Brass w/ Stainless Steel Ball & Stem
- Full Port, Sizes 1/4" to 1-1/4"
- ISO 5211 pad and square stem
- Pressure rating to 600 WOG
- Temperature range -4°F to 366°F
- Low torque design with back up O-ring seats
- Double O-ring stem seal design for extended cycle life
- 100% electronically tested in the open and closed position@80 Psi

PRESSURE - TEMPERATURE CHART FOR SERIES 250N

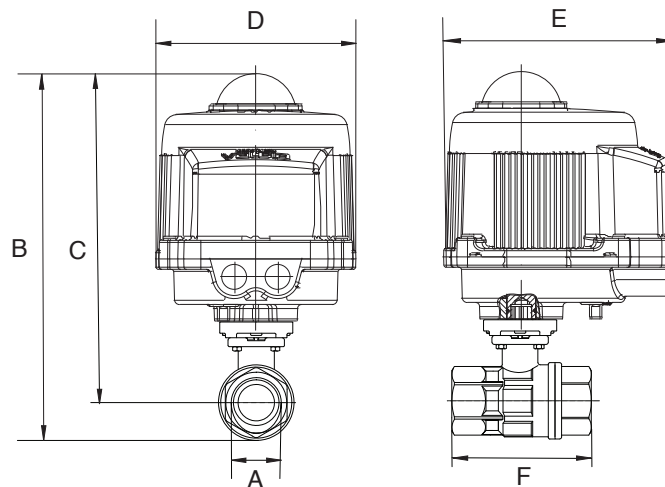


BILL OF MATERIALS FOR 250N



N POS	PART NAME	MATERIAL	N PCS
1	BODY	BRASS C38000	1
2	END CONNECTION	BRASS C38000	1
3	BALL	SS316	1
4	BALL SEAT	P.T.F.E.	2
5	THRUST WASHER	P.T.F.E.	1
6	STEM SEAL	P.T.F.E.	1
7	O-RING	FKM (Viton®)	2
8	O-RING	EPDM	1
9	O-RING	FKM (Viton®)	1
10	STEM	BRASS C38000	1

DIMENSIONS

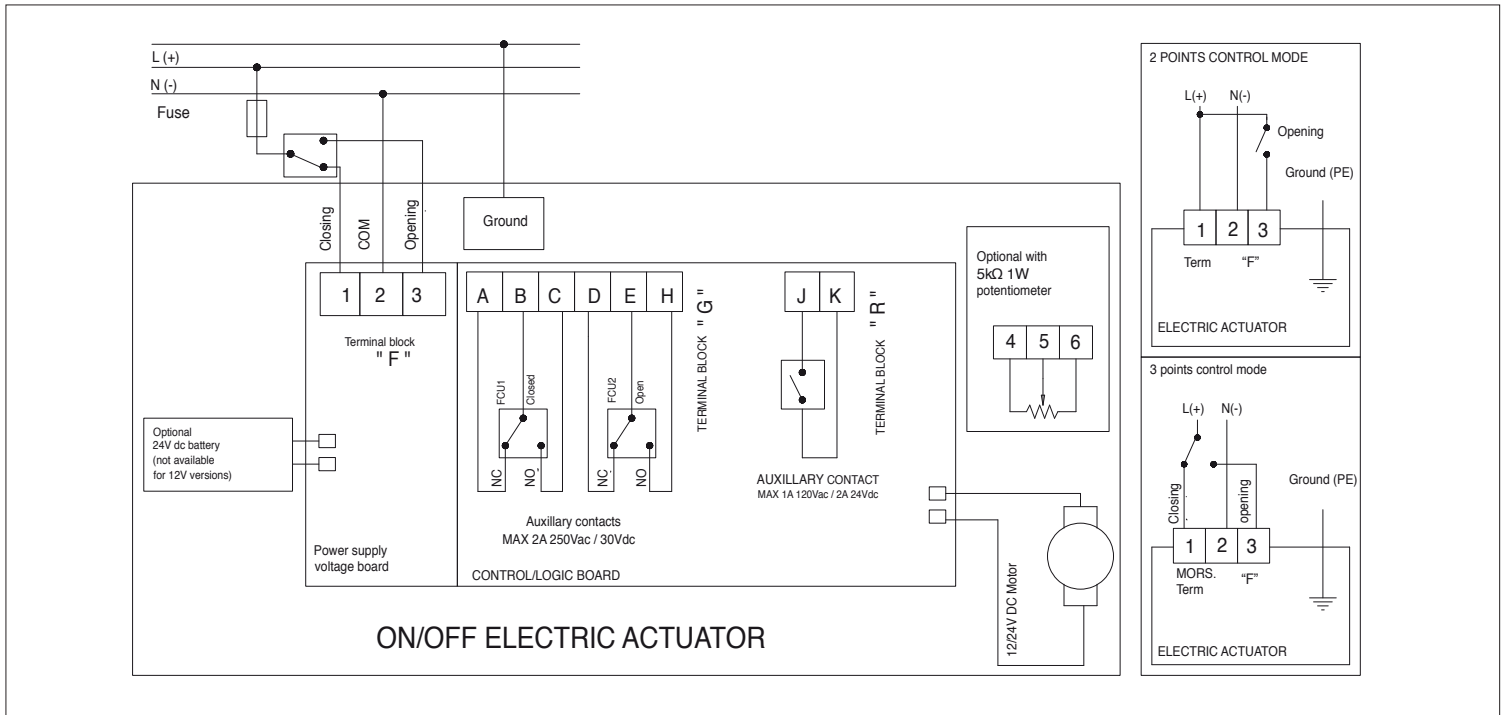


Size	A	B	C	D	E	F	ACT.
1/4"	.250	9.77	9.09	6.34	7.36	2.64	VB030M
3/8"	.375	9.77	9.09	6.34	7.36	2.64	VB030M
1/2"	.500	9.77	9.09	6.34	7.36	2.64	VB030M
3/4"	.750	9.97	9.25	6.34	7.36	2.99	VB030M
1"	1.00	10.59	9.65	6.34	7.36	3.35	VB030M
1-1/4"	1.25	10.91	9.9	6.34	7.36	3.66	VB030M
1-1/2"	1.50	11.79	10.47	6.34	7.36	1.13	VB030M
2"	2.00	12.51	11.00	6.34	7.36	4.80	VB030M
2-1/2"*	2.50	14.39	12.56	6.93	7.76	6.10	VB060M
3"*	3.00	15.20	13.18	6.93	7.76	6.89	VB060M
4"*	4.00	17.54	15.13	10.47	10.63	8.03	VB110M

* 250N Sizes Only

ON/OFF WIRING DIAGRAM - VB030M -VB110M

12V AC/DC, 24V AC/DC & 100-240VAC



POSITIONER WIRING DIAGRAM - VB030M -VB110M

12V AC/DC, 24V AC/DC & 100-240VAC

