



JOB NAME:	CONTRACTOR:
JOB LOCATION:	APPROVAL:
ENGINEER:	CONTRACTOR P.O.:
APPROVAL:	REPRESENTATIVE:

M8E0227-00*

6600LL 2-WAY UNIBODY CARBON STEEL, FNPT THREADED SEAL WELDED BALL VALVE WITH VALBIA METAL ELECTRIC ACTUATOR AND BRACKET

SIZES 1/4" TO 2"

*001	12V AC/DC	*002	24V AC/DC	*003	100-240V AC
01	BATTERY BACKUP	*02*	POSITIONER	*04*	BATTERY BACKUP W POSITIONER

SPECIFICATIONS

The M8E0227 series features the Bonomi 6600LL full port, seal-welded design, WCB steel body, 316 SS ball & stem, with 25% carbon reinforced TFE seats, graphite stem packing, and a drilled and tapped rear mounting pad. A thermal relief hole in the stem slot is standard. In addition, the 6600LL has a grounded ball and stem, is NACE MR 0175 compliant, and is fire-safe.

The Valbia VBM series metal actuator housing is made from die cast aluminum, and standardly features dual motors, two extra limit switches, a heater and thermostat, a torque limiter, dual ISO patterns, female star drive, a high-profile dome indicator, 1/2" conduit connections, and a 75% duty cycle motor. The actuator is NEMA 4 rated, and options include positioning boards, battery back-ups, or a combination of the two.

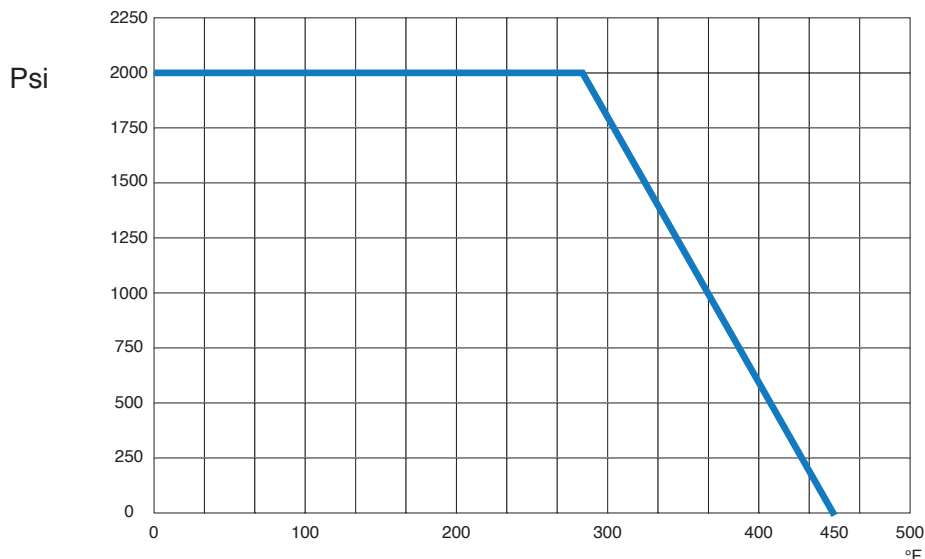
ACTUATOR FEATURES

- Dual Voltages
- CSA, UL approved
- 24V AC/DC and 100-240V AC Models Available
- ISO 5211 dual patterns
- 75% Duty Cycle
- Anti-condensation heater, (when red wire is connected to power)
- High-Strength, Die Cast Aluminum Powder Coated Housing
- Temperature Range -4°F to 131°F
- NEMA 4 Housing
- Two Auxiliary Switches Standard
- Torque limiter standard
- 1/2" conduit connection

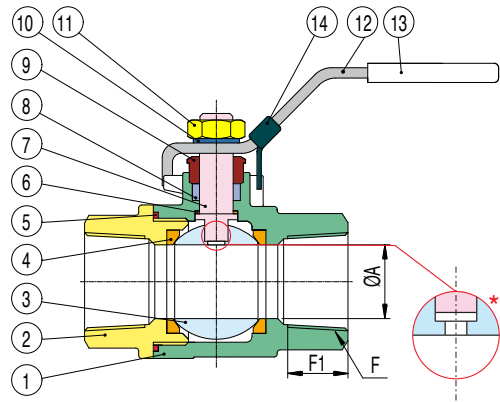
VALVE FEATURES

- Unibody WCB body
- Full port, sizes 1/4" to 2"
- Fire-safe Design
- Grounded ball and stem
- Self adjusting stem packing
- Blow out proof stem design
- 100% air tested under water at 80 psi
- Pressure rating 1/4" to 2" 2000 psi - 200 psi steam
- Temperature range -4°F to 450°F
- Mounting pad for actuator

PRESSURE - TEMPERATURE CHART FOR SERIES 6600LL



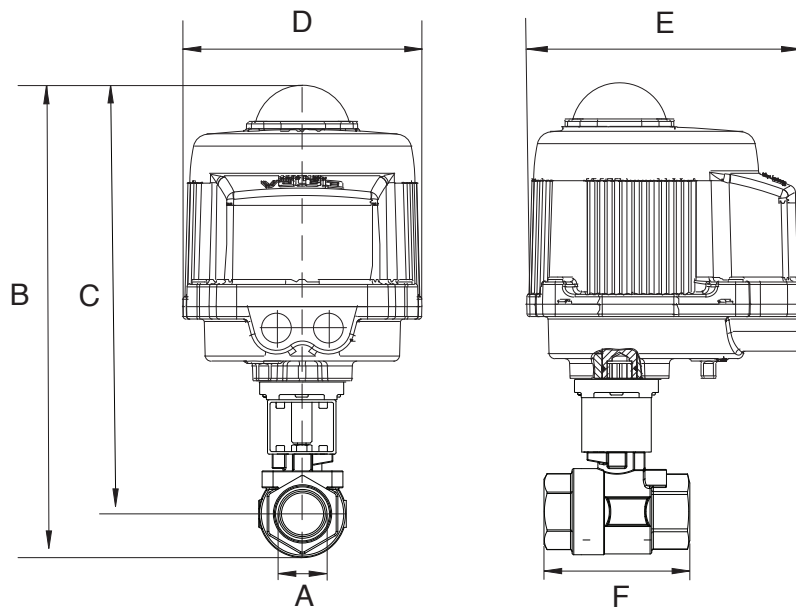
BILL OF MATERIALS FOR 6600LL



* THERMAL RELIEF HOLE IN THE STEM SLOT.

N POS	PART NAME	MATERIAL	N PCS
1	BODY	WCB	1
2	END CAP	WCB	1
3	BALL	AISI 316	1
4	SEAT	R.P.T.F.E.	2
5	JOIN GASKET	P.T.F.E.	2
6	THRUST WASHER	P.T.F.E.	1
7	STEM	AISI 316	1
8	V RING PACKING	P.T.F.E.	1
9	GLAND BUSH	STEEL	1
10	STEM WASHER	STEEL	1
11	STEM NUT	STEEL	1
12	HANDLE	STEEL	1
13	HANDLE SLEEVE	VINYL	1
14	LOCKING DEVICE	SS304	1

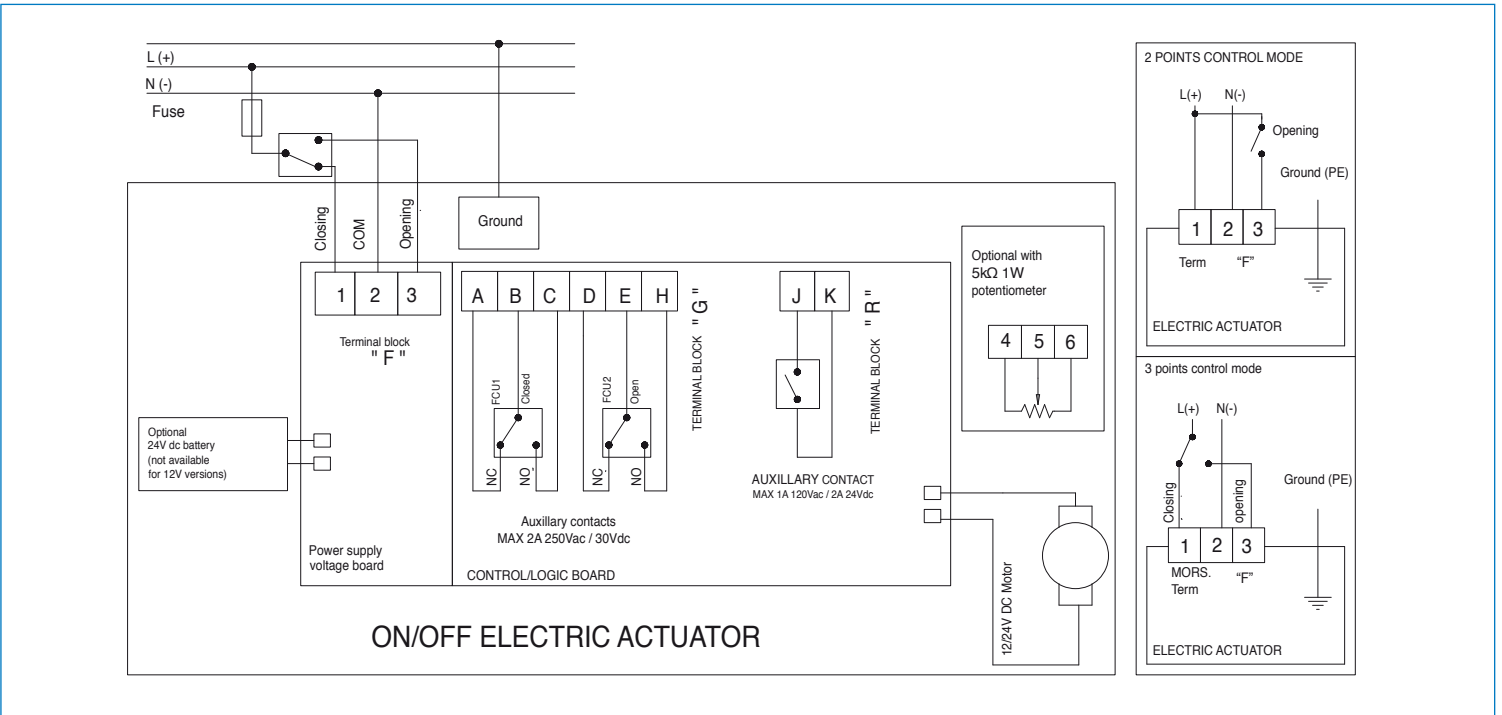
DIMENSIONS



Size	A	B	C	D	E	F	Act.
1/4"	0.45	13.64	11.29	6.34	7.36	1.96	VB030M
3/8"	0.49	13.64	11.29	6.34	7.36	1.96	VB030M
1/2"	0.059	14.52	11.69	6.34	7.36	2.36	VB030M
3/4"	0.78	14.85	11.84	6.34	7.36	2.51	VB030M
1"	0.98	14.34	11.61	6.34	7.36	2.79	VB030M
1-1/4"	1.25	16.58	12.9	6.34	7.36	3.07	VB030M
1-1/2"	1.49	17.27	13.21	6.34	7.36	3.38	VB030M
2"	1.96	18.89	14.4	6.93	7.76	3.74	VB060M

ON/OFF WIRING DIAGRAM - VB030M -VB060M

12V AC/DC, 24V AC/DC & 100-240VAC



POSITIONER WIRING DIAGRAM - VB030M -VB060M

12V AC/DC, 24V AC/DC & 100-240VAC

