



<b>JOB NAME:</b>	<b>CONTRACTOR:</b>
<b>JOB LOCATION:</b>	<b>APPROVAL:</b>
<b>ENGINEER:</b>	<b>CONTRACTOR P.O.:</b>
<b>APPROVAL:</b>	<b>REPRESENTATIVE:</b>

## M8E0226-00 \*

**7700LL 2-WAY UNIBODY STAINLESS STEEL, FNPT THREADED SEAL WELDED BALL VALVE WITH VALBIA METAL ELECTRIC ACTUATOR AND BRACKET**

**SIZES 1/4" TO 2"**

*001 12V AC/DC	*002 24V AC/DC	*003 100-240V AC
*01* BATTERY BACKUP	*02* POSITIONER	*04* BATTERY BACKUP W POSITIONER

### SPECIFICATIONS

The M8E0226 series features the Bonomi 7700LL full port, seal-welded design, CF8M stainless steel body, with 25% carbon reinforced TFE seats, graphite stem packing, and a drilled and tapped rear mounting pad. A thermal relief hole in the stem slot is standard. In addition, the 7700LL has a grounded ball and stem, is NACE MR 0175 compliant, and is fire-safe certified to API 607.

The Valbia VBM series metal actuator housing is made from die cast aluminum, and standardly features dual voltages, two extra limit switches, a heater and thermostat, a torque limiter, dual ISO patterns, female star drive, a high-profile dome indicator, 1/2" conduit connections, and a 75% duty cycle motor. The actuator is NEMA 4 rated, and options include positioning boards, battery back-ups, or a combination of the two.

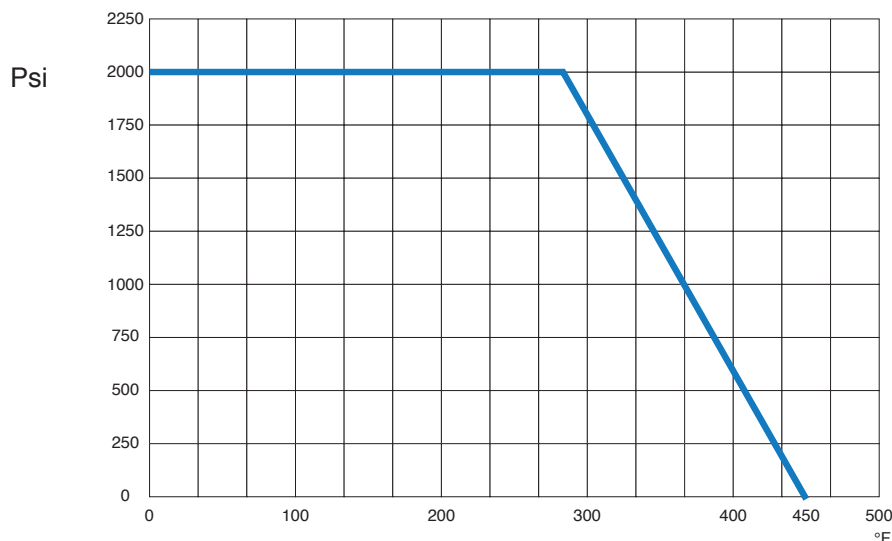
### ACTUATOR FEATURES

- Dual Voltages
- CSA, UL approved
- 24V AC/DC and 100-240V AC Models Available
- ISO 5211 dual patterns
- 75% Duty Cycle
- Anti-condensation heater, (when red wire is connected to power)
- High-Strength, Die Cast Aluminum Powder Coated Housing
- Temperature Range -4°F to 131°F
- NEMA 4 Housing
- Two Auxiliary Switches Standard
- Torque limiter standard
- 1/2" conduit connection

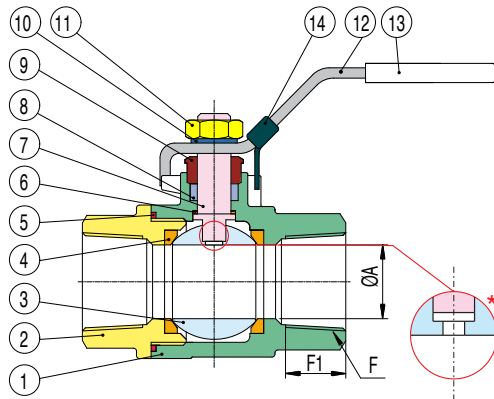
### VALVE FEATURES

- Unibody CF8M body
- Full port, sizes 1/4" to 2"
- Fire-safe certified to API 607
- Grounded ball and stem
- Self adjusting stem packing
- Blow out proof stem design
- 100% air tested under water at 80 psi
- Pressure rating 1/4" to 2" 2000 psi 200 psi steam
- Temperature range -4°F to 450°F
- Mounting pad for actuator

### PRESSURE - TEMPERATURE CHART FOR SERIES 7700LL



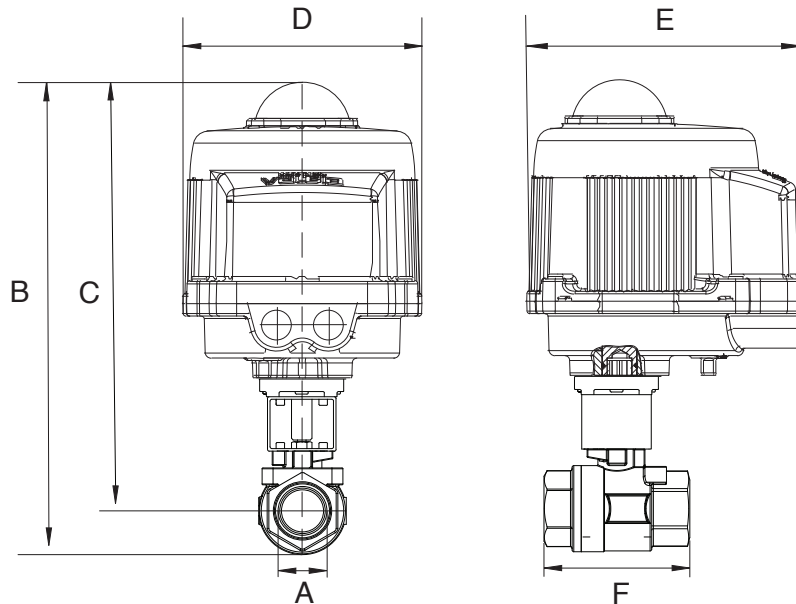
## BILL OF MATERIALS FOR 7700LL



\* THERMAL RELIEF HOLE IN THE STEM SLOT.

N POS	PART NAME	MATERIAL	N PCS
1	BODY	CF8M	1
2	END CAP	CF8M	1
3	BALL	SS 316	1
4	SEAT	R.P.T.F.E.	2
5	JOIN GASKET	P.T.F.E.	2
6	THRUST WASHER	P.T.F.E.	1
7	STEM	SS 316	1
8	V RING PACKING	P.T.F.E.	1
9	GLAND BUSH	SS 304	1
10	STEM WASHER	SS 304	1
11	STEM NUT	SS 304	1
12	HANDLE	SS 304	1
13	HANDLE SLEEVE	VINYL	1
14	LOCKING DEVICE	SS 304	1

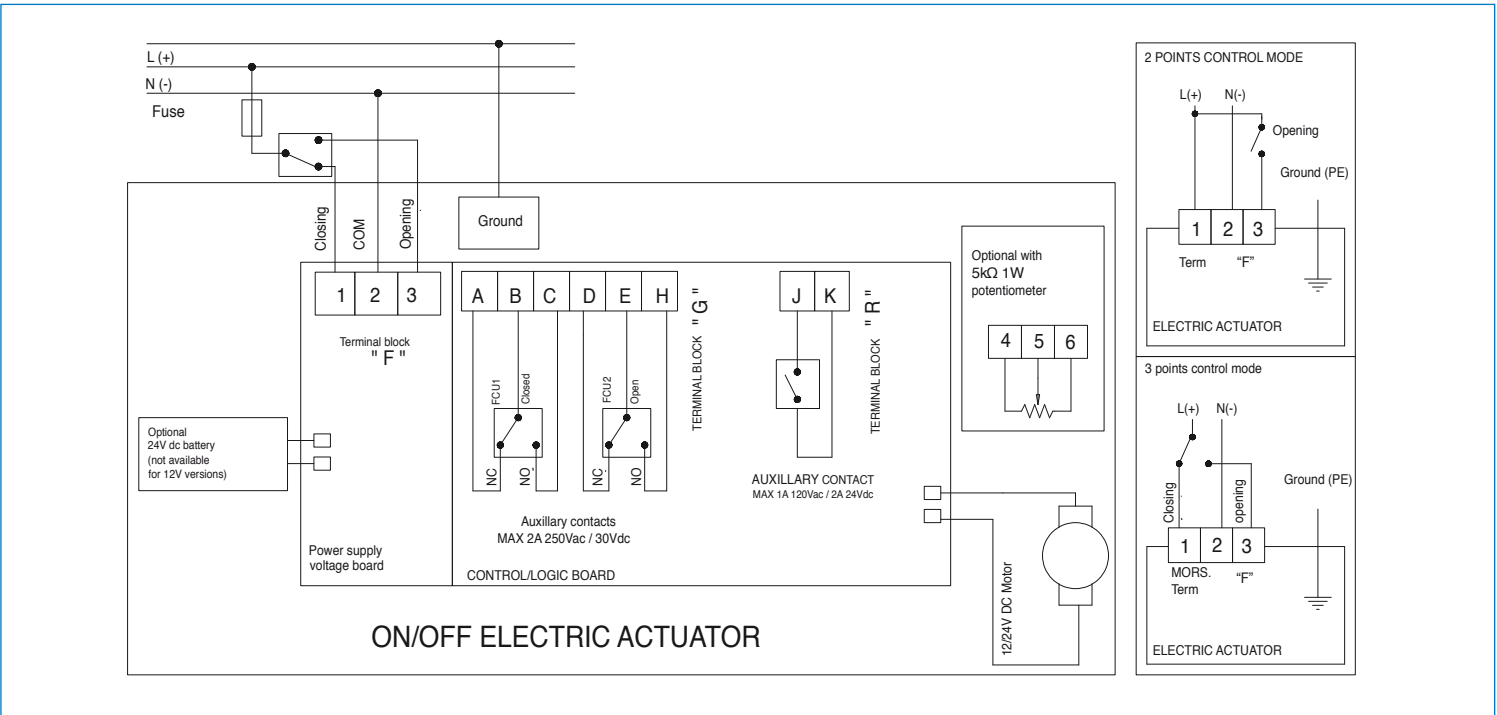
## DIMENSIONS



Size	A	B	C	D	E	F	Act.
1/4"	0.45	13.64	11.29	6.34	7.36	1.96	VB030M
3/8"	0.49	13.64	11.29	6.34	7.36	1.96	VB030M
1/2"	0.059	14.52	11.69	6.34	7.36	2.36	VB030M
3/4"	0.78	14.85	11.84	6.34	7.36	2.51	VB030M
1"	0.98	14.34	11.61	6.34	7.36	2.79	VB030M
1-1/4"	1.25	16.58	12.9	6.34	7.36	3.07	VB030M
1-1/2"	1.49	17.27	13.21	6.34	7.36	3.38	VB030M
2"	1.96	18.89	14.4	6.93	7.76	3.74	VB060M

**ON/OFF WIRING DIAGRAM - VB030M -VB060M**

12V AC/DC, 24V AC/DC & 100-240VAC



**POSITIONER WIRING DIAGRAM - VB030M -VB060M**

12V AC/DC, 24V AC/DC & 100-240VAC

