



JOB NAME:	CONTRACTOR:
JOB LOCATION:	APPROVAL:
ENGINEER:	CONTRACTOR P.O.:
APPROVAL:	REPRESENTATIVE:

## M8E0127-00 \*

**600LL 2-WAY CARBON STEEL, FNPT THREADED BALL VALVE WITH VALBIA METAL ELECTRIC ACTUATOR AND BRACKET**

**SIZES 1/4" TO 2"**

*001	12V AC/DC	*002	24V AC/DC	*003	100-240V AC
*01*	BATTERY BACKUP	*02*	POSITIONER	*04*	BATTERY BACKUP W POSITIONER

### SPECIFICATIONS

The M8E0127 series features the Bonomi 600LL full port, WCB carbon steel body, with 15% glass reinforced seats, multiple stem packing, and a drilled and tapped rear mounting pad. A thermal relief hole in the stem slot is standard. The 600LL series is also NACE MR 0175 compliant.

The Valbia VBM series metal actuator housing is made from die cast aluminum, and standardly features dual voltages, two extra limit switches, a heater and thermostat, a torque limiter, dual ISO patterns, female star drive, a high-profile dome indicator, 1/2" conduit connections, and a 75% duty cycle motor. The actuator is NEMA 4 rated, and options include positioning boards, battery backups, or a combination of the two.

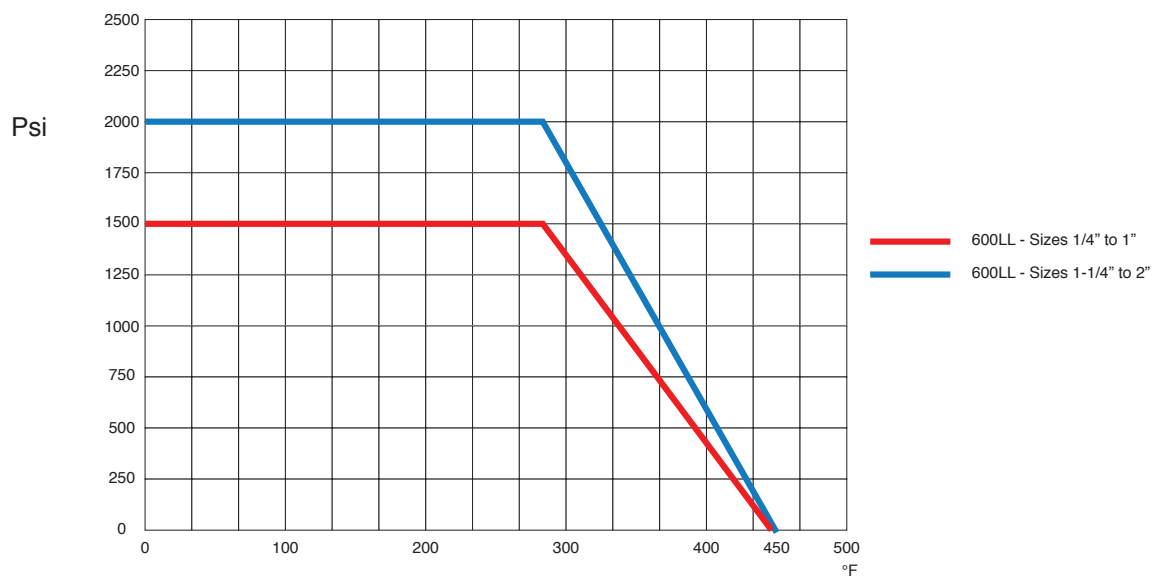
### ACTUATOR FEATURES

- Dual Voltages
- CSA, UL approved
- 24V AC/DC and 100-240V AC Models Available
- ISO 5211 dual patterns
- 75% Duty Cycle
- Anti-condensation heater, (when red wire is connected to power)
- High-Strength, Die Cast Aluminum Powder Coated Housing
- Temperature Range -4°F to 131°F
- NEMA 4 Housing
- Two Auxiliary Switches Standard
- Torque limiter standard
- 1/2" conduit connection

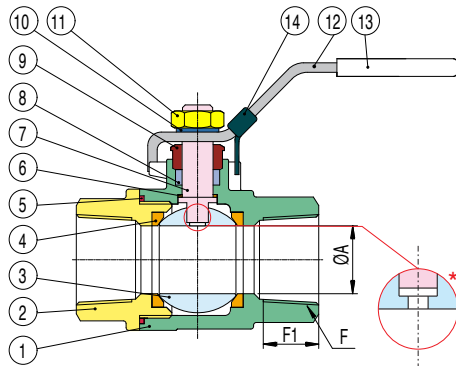
### VALVE FEATURES

- 2-piece CF8M body
- Full port, sizes 1/4" to 1-1/2"
- Reduced port, sizes 2"
- Blow out proof stem/anti-static design
- Pressure rating 3000 psi (100°F)
- Temperature range -20°F to 185°F
- ISO 5211 mounting pad

### PRESSURE - TEMPERATURE CHART FOR SERIES 600LL



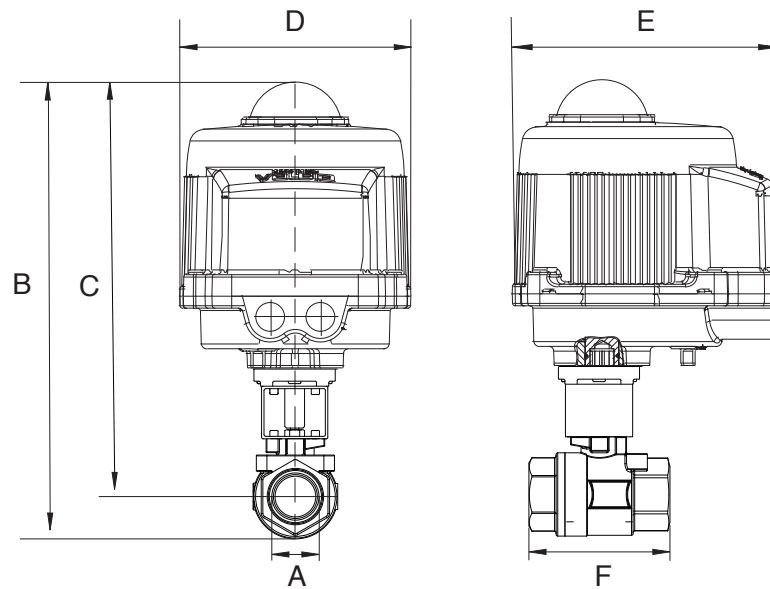
## BILL OF MATERIALS FOR 600LL



\* THERMAL RELIEF HOLE IN THE STEM SLOT.

N POS	PART NAME	MATERIAL	N PCS
1	BODY	WCB	1
2	END CAP	WCB	1
3	BALL	AISI 316	1
4	SEAT	R.P.T.F.E.	2
5	JOIN GASKET	P.T.F.E.	2
6	THRUST WASHER	P.T.F.E.	1
7	STEM	AISI 316	1
8	V RING PACKING	P.T.F.E.	1
9	GLAND BUSH	STEEL	1
10	STEM WASHER	STEEL	1
11	STEM NUT	STEEL	1
12	HANDLE	STEEL	1
13	HANDLE SLEEVE	VINYL	1
14	LOCKING DEVICE	SS304	1

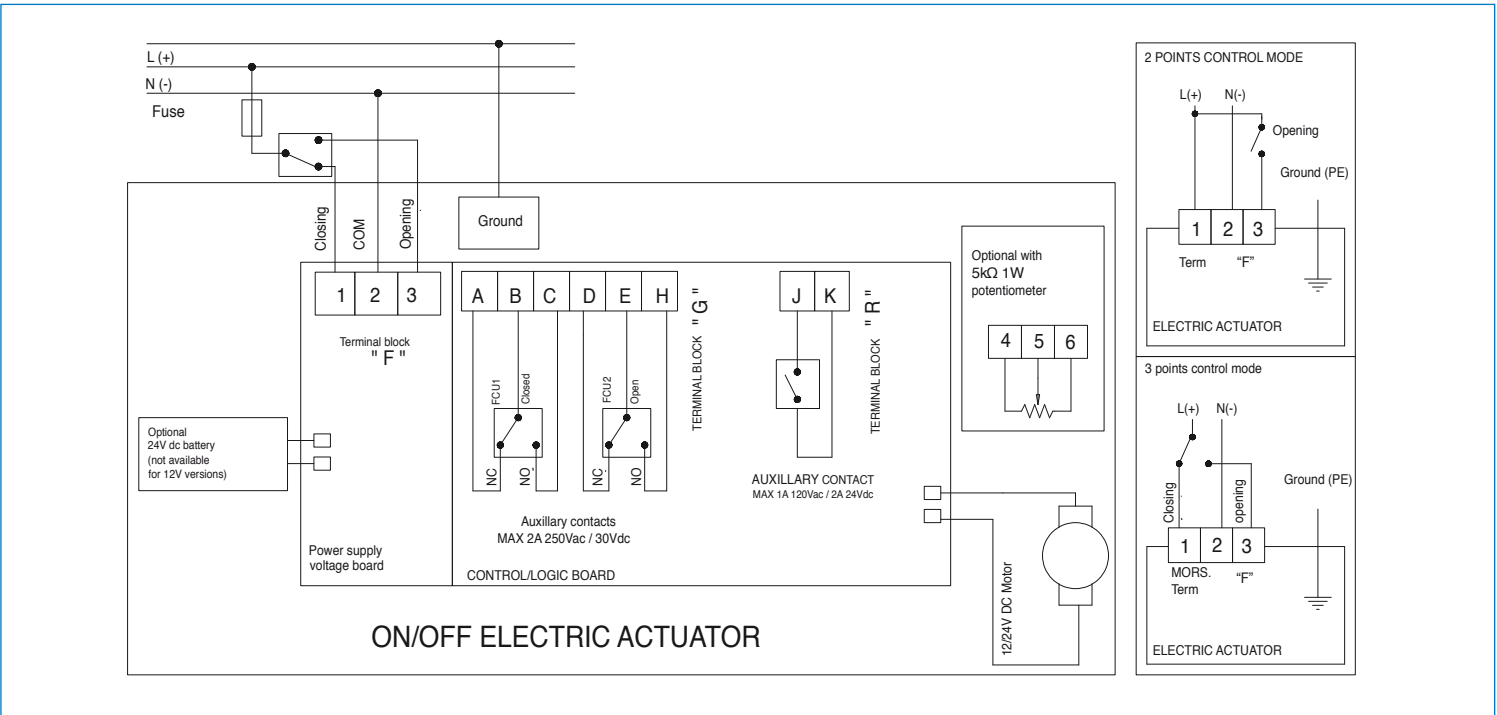
## DIMENSIONS



Size	A	B	C	D	E	F	Act.
1/4"	0.45	13.64	11.29	6.34	7.36	1.96	VB030M
3/8"	0.49	13.64	11.29	6.34	7.36	1.96	VB030M
1/2"	0.059	14.52	11.69	6.34	7.36	2.36	VB030M
3/4"	0.78	14.85	11.84	6.34	7.36	2.51	VB030M
1"	0.98	14.34	11.61	6.34	7.36	2.79	VB030M
1-1/4"	1.25	16.58	12.9	6.34	7.36	3.07	VB030M
1-1/2"	1.49	17.27	13.21	6.34	7.36	3.38	VB030M
2"	1.96	18.89	14.4	6.93	7.76	3.74	VB060M

**ON/OFF WIRING DIAGRAM - VB030M -VB060M**

12V AC/DC, 24V AC/DC & 100-240VAC



**POSITIONER WIRING DIAGRAM - VB030M -VB060M**

12V AC/DC, 24V AC/DC & 100-240VAC

