



EXMEN500S Shown

JOB NAME:	CONTRACTOR:
JOB LOCATION:	APPROVAL:
ENGINEER:	CONTRACTOR P.O.:
APPROVAL:	REPRESENTATIVE:

EXMEN500N

N500N RUBBER-LINED DIRECT MOUNT, WAFER STYLE BUTTERFLY VALVE WITH EPDM SEATS AND NYLON DISC W CSA APPROVED EXPLOSION PROOF METAL ELECTRIC ACTUATOR

SIZES 2" TO 12"

540N - BUNA-N SEATS

EXMEN500S

N500S RUBBER-LINED DIRECT MOUNT, WAFER STYLE BUTTERFLY VALVE WITH EPDM SEATS AND SS DISC W CSA APPROVED EXPLOSION PROOF METAL ELECTRIC ACTUATOR

SIZES 1/2" TO 12"

530S - VITON SEATS / 540S - BUNA-N SEATS

*002 24 AC/DC ON/OFF	*003 110V DC ON/OFF	*004 220V DC ON/OFF
*022 POSITIONER	*023 POSITIONER	*024 POSITIONER

SPECIFICATIONS

Bonomi North America series EXMEN500N/EXMEN500S feature the N500N and N500S, Direct mount cast iron wafer style, epoxy coated, resilient seat butterfly valves in sizes 1-1/2"-12", with EPDM seat are NSF/ANSI 61/372 certified. The N500N offers a nylon coated disc, while the N500S has a stainless steel disc. This series shall offer a dual stem design and ISO 5211/DIN 3337 direct mounting for high cycle automation capabilities.

In addition, the N500N-N500S series features a phenolic-backed cartridge seat design which offers a 250 CWP maximum pressure rating, and conforms to ANSI B16.1.

The heavy duty industrial EXM series electric actuator features a direct mount CSA certified NEMA 4X, 7, 8, and 9 housing, with 2 auxiliary switches, 1/2" conduit connections, built in thermal overload protection, heater & thermostat, clutch-less manual override, and a temperature range of -22°F to 156°F.

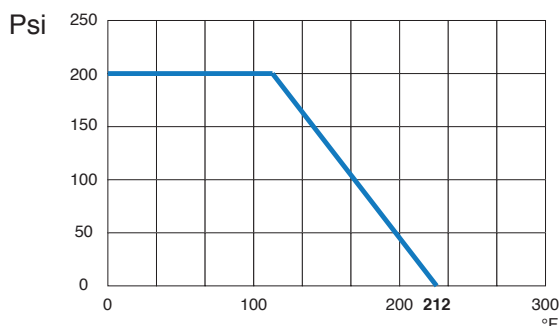
ACTUATOR FEATURES

- NEMA 4x, 7, 8 & 9 (CSA Approved)
- Enclosure conforms to IP68 with explosion-protected performance and 1/2" FNPT conduit connection
- Temperature range: -22°F to 158°F
- Clutch-less Manual Override
- Thermostatically controlled anti-condensation heater for working conditions
- Available in both ON/OFF (-00*) or 4~20 mA MODULATING (-02*)
- 30% Duty Cycle (ON/OFF) and 75% Duty Cycle (MODULATING)
- Continuous mechanical position indicator.
- Built-in thermal overload protection prevents motor burnout
- 2 auxiliary SPDT switches

VALVE FEATURES

- ISO 5211 Direct Mount/Square Stem
- Epoxy coated Ductile Iron Wafer body
- EPDM resilient seat (-30°F TO 250°F)
- 530S - VITON seats (10°F TO 300°F)
- 540N/540S - BUNA seats (10°F TO 250°F)
- API609 face to face flange
- Floating dual shaft disc design
- MSS SP 67 compliant
- No pins in disc prevent potential leak points
- NSF/ANSI 61, 372 approved

PRESSURE - TEMPERATURE CHART FOR SERIES N500N & N500S



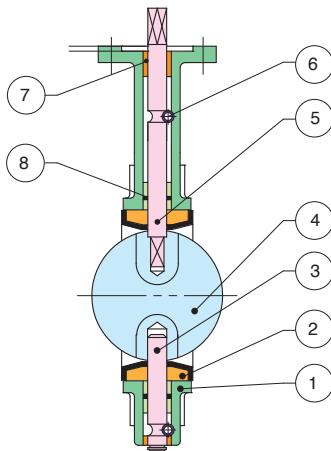
CSA APPROVALS

Class I, Division 1, Groups C, D, T4
Class II, Division 1, Groups E, F, G T130°C
Type 4x
Ex db IIB T4 Gb (For Canada)

Class I, Zone 1, AEx db IIB T4 Gb (For US)
Ex tb IIIC T130°C Db (For Canada)
Zone 21, AEx tb IIIC T130°C Db (For US)
IP68 (72h, 7m)

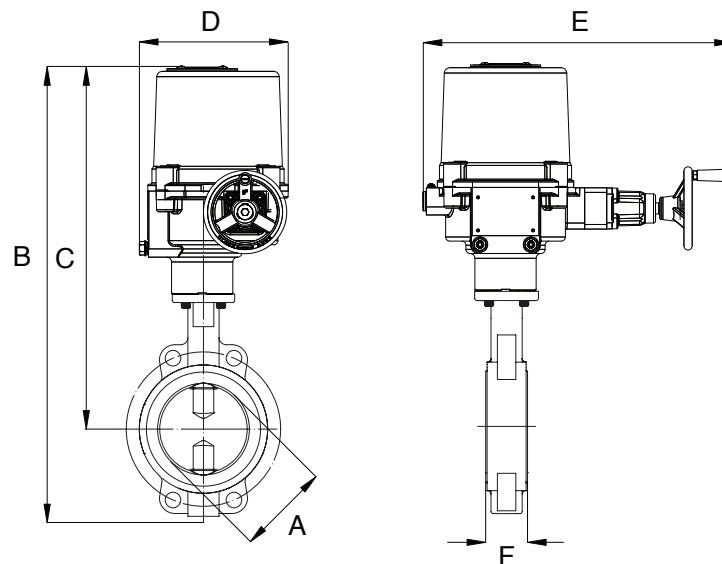


BILL OF MATERIALS FOR N500N/N500S



N POS	PART NAME	MODEL	MATERIAL	N PCS
1	BODY		CAST IRON	1
2	SEAT	N500N/N500S	EPDM (-30°F TO 250°F)	1
		530S	VITON (10°F TO 300°F)	
		540N/540S	BUNA (10°F TO 250°F)	
3	LOWER SHAFT		SS416	1
4	DISC 500N		CAST IRON / NYLON 11 COATED	1
	DISC 500S		STAINLESS STEEL	
5	UPPER SHAFT		SS416	1
6	LOCATING PIN		CARBON STEEL	1
7	BUSHING		P.T.F.E.	1
8	O-RING		EPDM	1
9	LEVER		EPOXY-COATED CARBON STEEL	1

DIMENSIONS



Size	A	B	C	D	E	F	Act.
1-1/2"	4.74	19.56	12.32	5.51	4.43	1.61	EAX035
2"	4.74	20.55	12.95	5.51	4.43	1.65	EAX035
2-1/2"	5.49	21.65	13.50	5.51	4.43	1.76	EAX035
3"	6.00	22.12	13.74	5.51	4.43	1.78	EAX035
4"	7.50	26.76	17.63	5.39	4.45	2.05	EAX045
5"	8.50	31.01	21.41	8.46	17.80	2.14	EAX080
6"	9.50	32.13	21.97	8.46	17.80	2.20	EAX130
8"	11.75	35.32	23.31	8.46	17.80	2.34	EAX130
10"	14.25	39.34	26.07	11.57	21.54	2.58	EAX360
12"				C/F			

* Available in N500S Only

