



JOB NAME:	CONTRACTOR:
JOB LOCATION:	APPROVAL:
ENGINEER:	CONTRACTOR P.O.:
APPROVAL:	REPRESENTATIVE:

EXMEBFVSTCE

BFVSTCE STAINLESS STEEL BUTTERFLY VALVE WITH SANITARY TRI-CLAMP ENDS AND EPDM SEAT WITH CSA APPROVED EXPLOSION PROOF METAL ELECTRIC ACTUATOR

SIZES 1/2" TO 8"

*** E = EPDM / S = SILICONE / V = VITON**

*001	12V AC/DC	*002	24V AC/DC	*003	100-240V AC
01	BATTERY BACKUP	*02*	POSITIONER	*04*	BATTERY BACKUP W POSITIONER

SPECIFICATIONS

The EXMEBFVSTCE metal electric explosion-proof actuated package features the BFVSTCE sanitary butterfly valve with sanitary tri-clamp ends and an EPDM seat.

The valve has a 3-A surface finish and meets all related FDA and USDA standards, The disc also has a mirror finish for prevention of particles and obstructions.

The heavy duty industrial EXM series electric actuator features a direct mount CSA certified NEMA 4X,7,8, and 9 housing, with 2 auxiliary switches, 1/2" conduit connections, built in thermal overload protection, heater & thermostat, clutch-less manual override, and a temperature range of -22°F to 156°F.

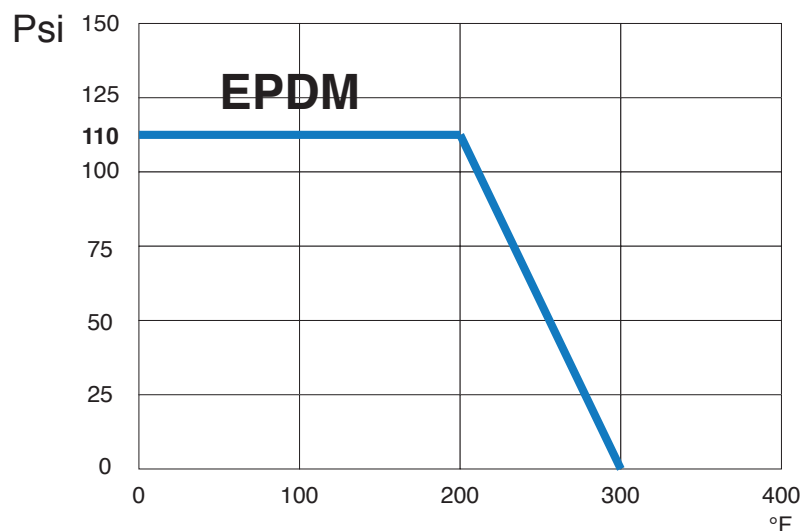
ACTUATOR FEATURES

- NEMA 4x, 7, 8 & 9 (CSA Approved)
- Enclosure conforms to IP68 with explosion-protected performance and 1/2" FNPT conduit connection
- Temperature range: -22°F to 158°F
- Clutch-less Manual Override
- Thermostatically controlled anti-condensation heater for working conditions
- Available in both ON/OFF (-00*) or 4~20 mA MODULATING (-02*)
- 30% Duty Cycle (ON/OFF) and 75% Duty Cycle (MODULATING)
- Continuous mechanical position indicator.
- Built-in thermal overload protection prevents motor burnout
- 2 auxiliary SPDT switches

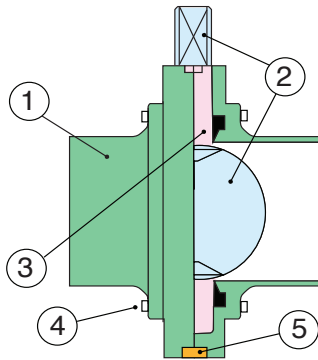
VALVE FEATURES

- AISI 316 L Stainless Steel
- EPDM seat standard
- Silicone or FKM (Viton) seats optional
- Full port, sizes 1/2" to 8"
- Sanitary Tri-Clamp Ends
- Surface finish meets 3-A, FDA & USDA standards
- 13-position, 304SS spring loaded lever lock handle 1/2" to 6"
- 110 PSI @ 200°F

PRESSURE - TEMPERATURE CHART FOR SERIES BFVSTCE

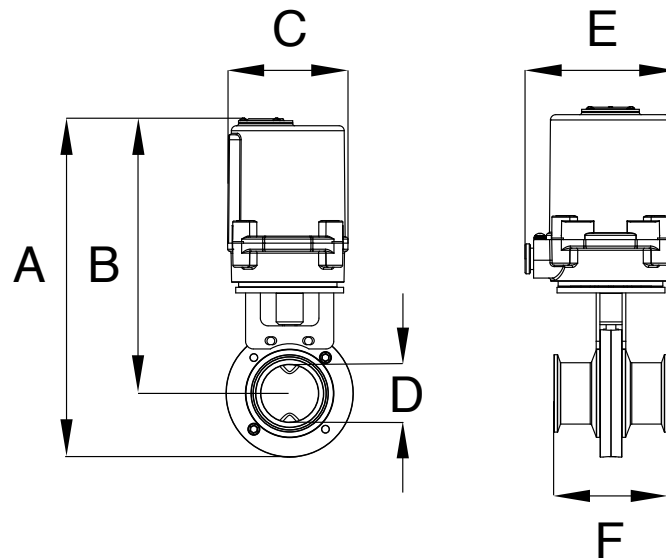


BILL OF MATERIALS FOR BFVSTCE



N POS	PART NAME	MATERIAL	N PCS
1	BODY HALF	316L	2
2	DISC	316L	1
3	SEAT	EPDM	1
4	BODY BOLTS	304SS	4
5	BODY CAP	BUNA-N	1

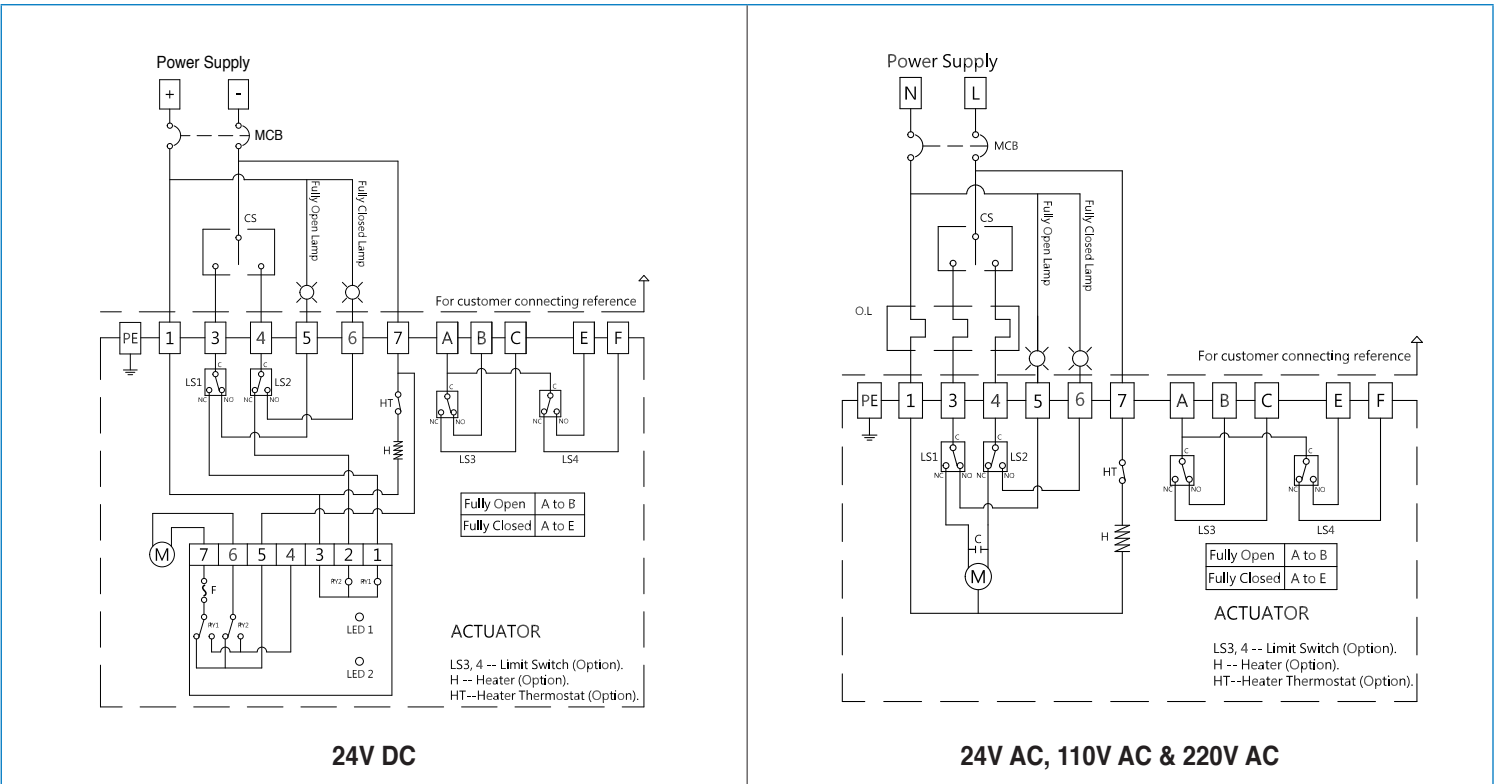
DIMENSIONS



Size	A	B	C	D	E	F	Act.
1/2"	10.71	9.16	4.42	3.00	5.51	3.50	EAX035
3/4"	10.71	9.16	4.42	3.00	5.51	3.50	EAX035
1"	10.72	9.17	4.42	0.87	5.51	3.50	EAX035
1-1/2"	10.96	9.29	4.42	1.37	5.51	3.50	EAX035
2"	12.24	10.18	4.42	1.87	5.51	3.74	EAX035
2-1/2"	12.52	10.32	4.42	2.37	5.51	3.82	EAX035
3"	13.03	10.57	4.42	2.84	5.51	4.06	EAX035
4"	17.94	14.85	4.45	3.84	5.39	4.78	EAX045
6"	23.27	19.17	17.80	5.84	8.46	6.00	EAX130
8"	26.29	20.68	17.80	7.93	8.46	6.56	EAX130

ON/OFF WIRING DIAGRAM

24V DC, 24V AC, 110V AC & 220VAC



POSITIONER WIRING DIAGRAM

24V DC, 24V AC, 110V AC & 220VAC

