



<b>JOB NAME:</b>	<b>CONTRACTOR:</b>
<b>JOB LOCATION:</b>	<b>APPROVAL:</b>
<b>ENGINEER:</b>	<b>CONTRACTOR P.O.:</b>
<b>APPROVAL:</b>	<b>REPRESENTATIVE:</b>

## EXME97T150-00\*

**97T150 3-WAY T-PORT STAINLESS STEEL, ANSI 150 FLANGED, BLOCK BODY, FULL PORT BALL VALVE WITH CSA APPROVED EXPLOSION PROOF METAL ELECTRIC ACTUATOR**

**SIZES 1/2" TO 4"**

## EXME97L150-00\*

**97L150 3-WAY L-PORT STAINLESS STEEL, ANSI 150 FLANGED, BLOCK BODY, FULL PORT BALL VALVE WITH CSA APPROVED EXPLOSION PROOF METAL ELECTRIC ACTUATOR**

**SIZES 1/2" TO 4"**

<b>*002</b> 24 AC/DC ON/OFF	<b>*003</b> 110V DC ON/OFF	<b>*004</b> 220V DC ON/OFF
<b>*022</b> POSITIONER	<b>*023</b> POSITIONER	<b>*024</b> POSITIONER

### SPECIFICATIONS

The EXME97T150 T port and EXME97L150 L port packages feature the 97T150 and 97L150 block style, full port, ANSI Class 150 stainless steel ball valves, with RTFE seats, multiple chevron style stem packing, and a grounded ball & stem. In addition the 97T150/97L150 are ISO5211 with a square stem for direct mount capability. The heavy duty industrial EXM series electric actuator features a direct mount CSA certified NEMA 4X, 7, 8, and 9 housing, with 2 auxiliary switches, 1/2" conduit connections, built in thermal overload protection, heater & thermostat, clutch-less manual override, and a temperature range of -22°F to 156°F.

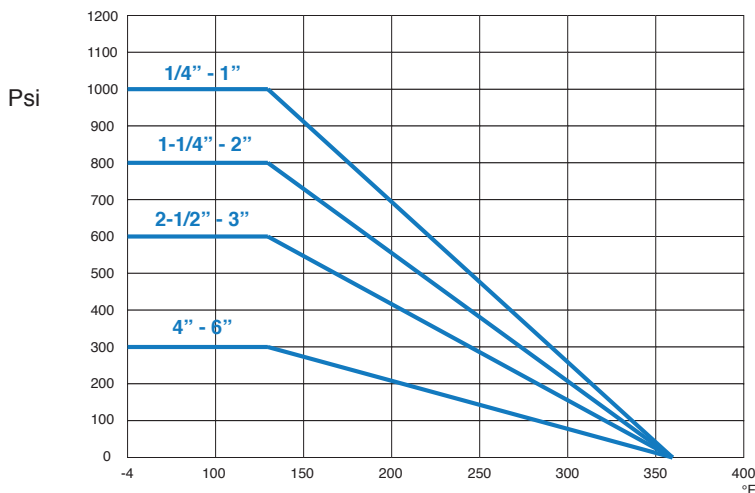
### ACTUATOR FEATURES

- NEMA 4x, 7, 8 & 9 (CSA Approved)
- Enclosure conforms to IP68 with explosion-protected performance and 1/2" FNPT conduit connection
- Temperature range: -22°F to 158°F
- Clutch-less Manual Override
- Thermostatically controlled anti-condensation heater for working conditions
- Available in both ON/OFF (-00\*) or 4~20 mA MODULATING (-02\*)
- 30% Duty Cycle (ON/OFF) and 75% Duty Cycle (MODULATING)
- Continuous mechanical position indicator.
- Built-in thermal overload protection prevents motor burnout
- 2 auxiliary SPDT switches

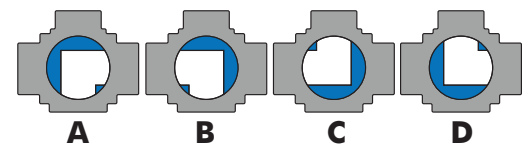
### VALVE FEATURES

- Stainless Steel, ANSI class 150 flanged
- Full port, sizes 1/2" to 4"
- Pressure rating 1/4" to 1" - 1000 psi, 1-1/4" to 2" - 800 psi, 2-1/2" to 3" - 600 psi, 4" to 6" - 300 psi
- Temperature range -20°F to 450°F
- Blow-out proof stem
- R.P.T.F.E. seats & seals
- Grounded Ball & Stem
- Multiple Chevron style stem packing
- 100% tested
- All stainless steel external components
- ISO 5211 mounting pad with square stem

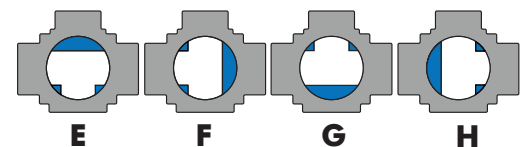
### PRESSURE - TEMPERATURE CHART FOR SERIES 97T150 & 97L150



### PORT CONFIGURATIONS

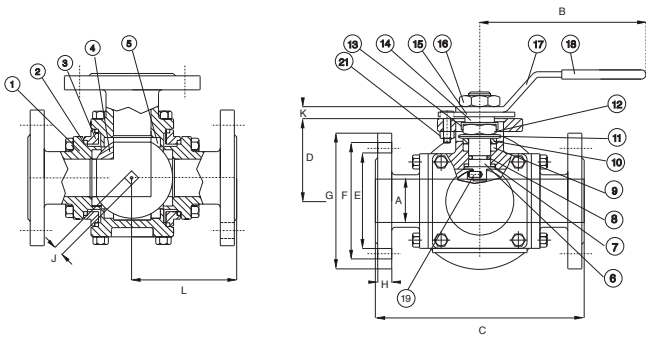


#### L-PORT



#### T-PORT

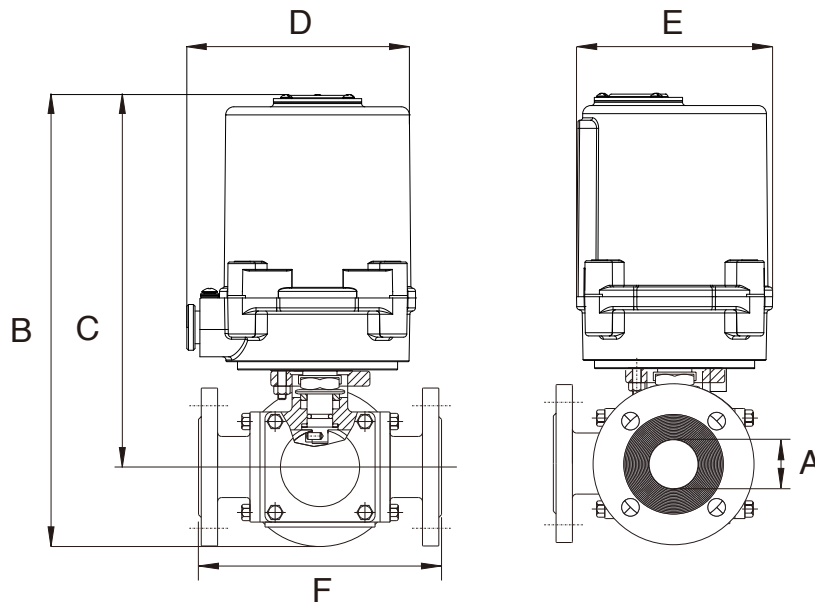
## BILL OF MATERIALS FOR 97T150 & 97L150



N POS	PART NAME	MATERIAL	N PCS
1	FLANGED ENDS	A351 CF8M	3
2	GASKET	P.T.F.E.	4
3	BODY	A351 CF8M	1
4	BALL	SS 316	1
5	BALL SEATS	P.T.F.E.	4
6	THRUST WASHER	R.P.T.F.E.	1
7	STEM	SS 316	1
8	O-RING	FKM (Viton®)	1
9	STEM PACKING	P.T.F.E.	1
10	GLAND	SS 304	2
11	DISC WASHER	SS 301	1

N POS	PART NAME	MATERIAL	N PCS
12	STEM NUT	SS 304	1
13	NUT STOP	SS 304	1
14	SPACE WASHER	SS 304	1
15	STOPPER PLATE	SS 304	1
16	HANDLE NUT	SS 304	1
17	HANDLE	SS 304	1
18	HANDLE SLEEVE	VINYL	1
19	INSERT PIN	SS 304	1
20	STOP PIN	SS 316	1
21	STOP PIN NUT	SS 304	1
22	BOLTS	SS 304	8

## DIMENSIONS



Size	A	B	C	D	E	F	Act.
1/2"	0.59	9.71	8.33	5.51	4.43	5.98	EAX035
3/4"	0.79	10.52	8.74	5.51	4.43	6.57	EAX035
1"	0.98	11.36	9.13	5.51	4.43	7.48	EAX035
1-1/2"	1.50	16.33	13.49	5.39	4.45	8.66	EAX045
2"	1.97	20.22	17.06	17.80	8.46	9.96	EAX080
2-1/2"	2.44	21.60	17.79	17.80	8.46	11.81	EAX130
3"	2.99	22.43	18.30	17.80	8.46	12.10	EAX130
4"	3.76	26.19	21.02	21.55	11.57	14.51	EAX360

## ON/OFF WIRING DIAGRAM

24V DC, 24V AC, 110V AC & 220VAC



## POSITIONER WIRING DIAGRAM

24V DC, 24V AC, 110V AC & 220VAC

