



JOB NAME:	CONTRACTOR:
JOB LOCATION:	APPROVAL:
ENGINEER:	CONTRACTOR P.O.:
APPROVAL:	REPRESENTATIVE:

EXME8300

**8300 ANSI 300 CLASS, CARBON STEEL
HIGH PERFORMANCE WAFER STYLE
BUTTERFLY VALVE W CSA APPROVED
EXPLOSION PROOF METAL ELECTRIC ACTUATOR**
SIZES 2" TO 12"

EXME9300

**9300 ANSI 300 CLASS, STAINLESS STEEL
HIGH PERFORMANCE WAFER STYLE
BUTTERFLY VALVE W CSA APPROVED
EXPLOSION PROOF METAL ELECTRIC ACTUATOR**
SIZES 2" TO 12"

*002 24 AC/DC ON/OFF	*003 110V DC ON/OFF	*004 220V DC ON/OFF
*022 POSITIONER	*023 POSITIONER	*024 POSITIONER

SPECIFICATIONS

The EXME8300/EXME9300 series pneumatic actuated packages feature ANSI Class 300, wafer style, carbon steel 8300 or stainless steel 9300 high performance butterfly valves. The valves also feature multiple V-ring and direct ISO 5211 mounting pad.

The heavy duty industrial EXM series electric actuator features a direct mount CSA certified NEMA 4X, 7, 8, and 9 housing, with 2 auxiliary switches, 1/2" conduit connections, built in thermal overload protection, heater & thermostat, clutch-less manual override, and a temperature range of -22°F to 156°F.

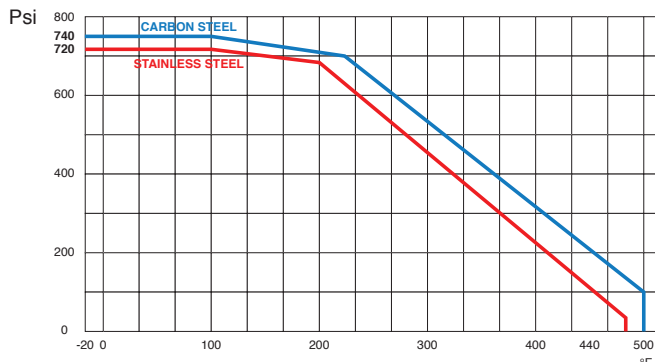
ACTUATOR FEATURES

- NEMA 4x, 7, 8 & 9 (CSA Approved)
- Enclosure conforms to IP68 with explosion-protected performance and 1/2" FNPT conduit connection
- Temperature range: -22°F to 158°F
- Clutch-less Manual Override
- Thermostatically controlled anti-condensation heater for working conditions
- Available in both ON/OFF (-00*) or 4~20 mA MODULATING (-02*)
- 30% Duty Cycle (ON/OFF) and 75% Duty Cycle (MODULATING)
- Continuous mechanical position indicator.
- Built-in thermal overload protection prevents motor burnout
- 2 auxiliary SPDT switches

VALVE FEATURES

- ISO 5211 Direct Mount
- Sizes 2" to 12"
- 8300 - Carbon Steel Wafer body
- 9300 - Stainless Steel Wafer body
- Compact Design, Easy Access to Packing
- Replaceable Seat Design
- Multiple V-Ring Stem Packing
- Reliable and Consistent Torques
- Optional Metal to Metal and PTFE Seat Design
- 14" to 24" Sizes Available Upon Request
- 150 WSP
- Temperature range: -20°F to 475°F

PRESSURE - TEMPERATURE CHART FOR SERIES 8300 & 9300



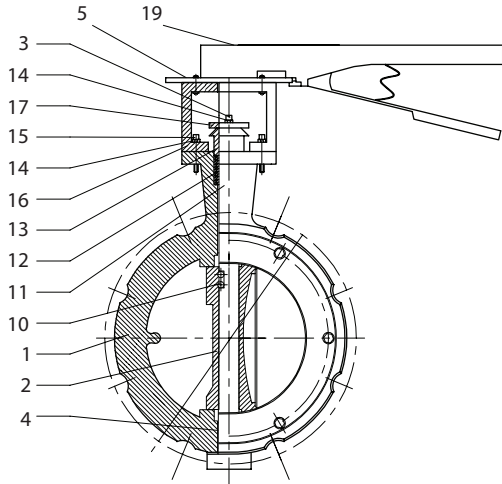
CSA APPROVALS

Class I, Division 1, Groups C, D, T4
Class II, Division 1, Groups E, F, G T130°C
Type 4x
Ex db IIB T4 Gb (For Canada)

Class I, Zone 1, AEx db IIB T4 Gb (For US)
Ex tb IIIC T130°C Db (For Canada)
Zone 21, AEx tb IIIC T130°C Db (For US)
IP68 (72h, 7m)



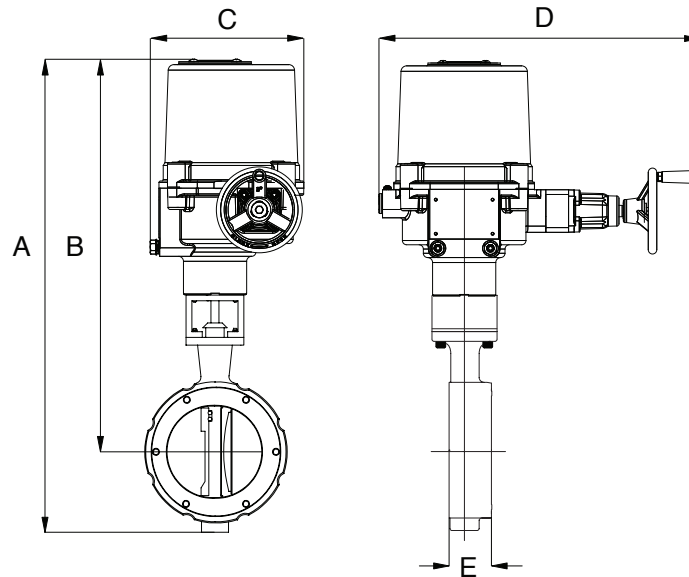
BILL OF MATERIALS FOR 8300/9300



N POS	PART NAME	MATERIAL	N PCS
1	BODY	WCB/CF8M	1
2	DISC	CF8M	1
3	STEM BOLT	SS304	2
4	STEM BUSHING	SS316 + P.T.F.E.	3
5	PLATE	SS304	1
6	SEAT RETAINER	WCB/CF8M	1
7	RETAINER SCREW	SS304	6-8
8	O-RING	VITON®	1
9	SEAT	CARBON FILLED P.T.F.E.	1
10	PIN	SS316	2

N POS	PART NAME	MATERIAL	N PCS
11	STEM	AISI 17-4PH	1
12	V-RING	P.T.F.E.	6-9
13	GLAND BUSHING	SS316	1
14	SPRING WASHER	SS304	4
15	HEX BOLT	SS304	4
16	MOUNTING FLANGE	WCB/CF8M	1
17	GLAND	CF8M	1
18	NUT	SS304	2
19	HANDLE	MALLEABLE IRON	1

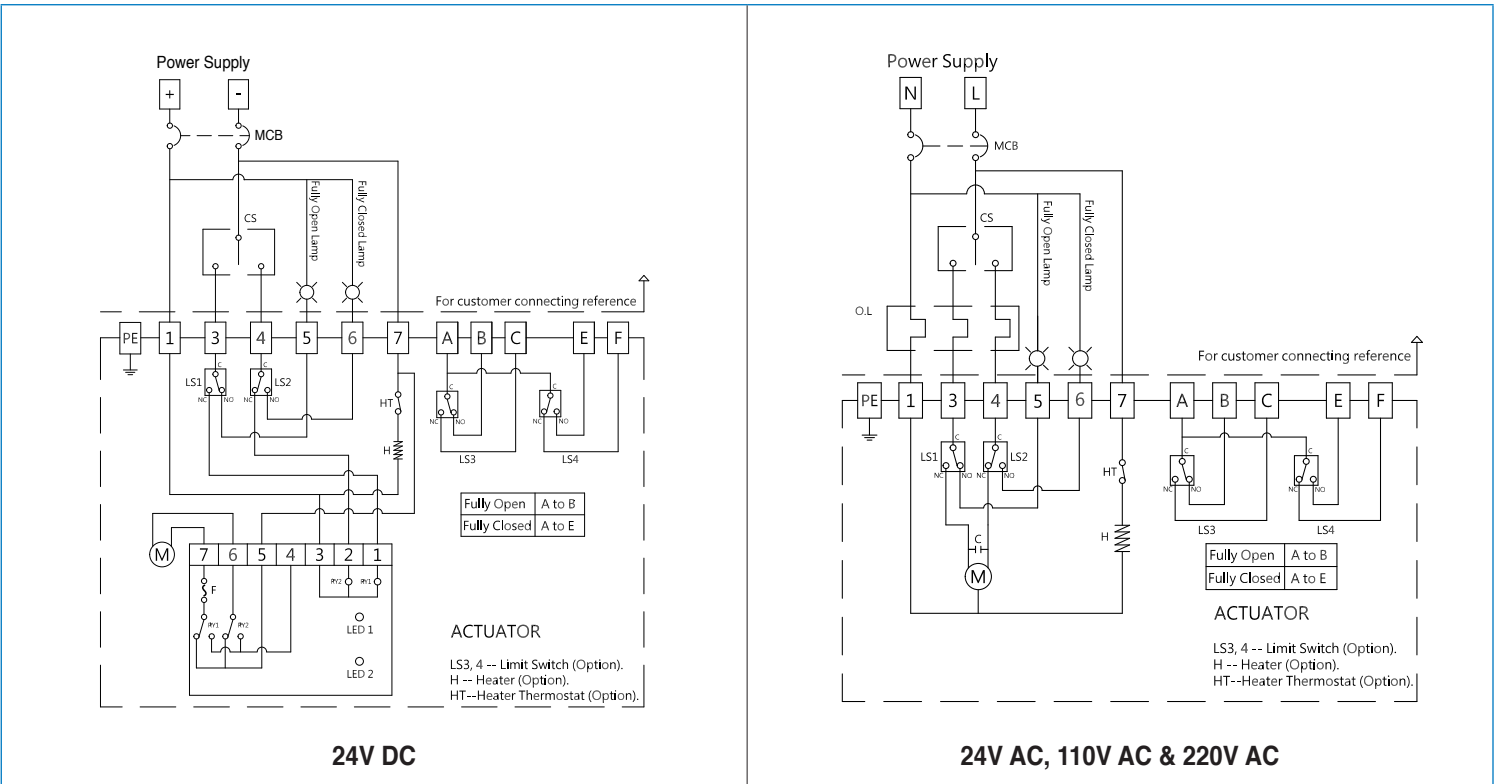
DIMENSIONS



Size	A	B	C	D	E	Act.
2"	16.03	13.03	5.51	4.43	1.75	EAX035
2-1/2"	15.74	13.03	5.51	4.43	1.88	EAX035
3"	17.04	14.01	5.51	4.43	1.92	EAX045
4"	21.49	17.99	5.39	4.45	2.13	EAX045
5"	26.39	22.14	8.46	17.80	2.25	EAX080
6"	27.57	22.67	8.46	17.80	2.31	EAX130
8"	30.87	25.37	11.57	21.54	2.50	EAX360
10"	33.83	25.93	11.57	21.54	2.81	EAX450
12"*	C/F					

ON/OFF WIRING DIAGRAM

24V DC, 24V AC, 110V AC & 220VAC



POSITIONER WIRING DIAGRAM

24V DC, 24V AC, 110V AC & 220VAC

