



| | |
|---------------|------------------|
| JOB NAME: | CONTRACTOR: |
| JOB LOCATION: | APPROVAL: |
| ENGINEER: | CONTRACTOR P.O.: |
| APPROVAL: | REPRESENTATIVE: |

EXME8100

**8100 ANSI 150 CLASS, CARBON STEEL
HIGH PERFORMANCE WAFER STYLE
BUTTERFLY VALVE W CSA APPROVED
EXPLOSION PROOF METAL ELECTRIC ACTUATOR**
SIZES 2" TO 12"

EXME9100

**9100 ANSI 150 CLASS, STAINLESS STEEL
HIGH PERFORMANCE WAFER STYLE
BUTTERFLY VALVE W CSA APPROVED
EXPLOSION PROOF METAL ELECTRIC ACTUATOR**
SIZES 2" TO 12"

| | | |
|----------------------|---------------------|---------------------|
| *002 24 AC/DC ON/OFF | *003 110V DC ON/OFF | *004 220V DC ON/OFF |
| *022 POSITIONER | *023 POSITIONER | *024 POSITIONER |

SPECIFICATIONS

The EXME8100/EXME9100 series pneumatic actuated packages feature ANSI Class 150, wafer style, carbon steel 8100 or stainless steel 9100 high performance butterfly valves. The valves also feature multiple V-ring and direct ISO 5211 mounting.

The heavy duty industrial EXM series electric actuator features a direct mount CSA certified NEMA 4X, 7, 8, and 9 housing, with 2 auxiliary switches, 1/2" conduit connections, built in thermal overload protection, heater & thermostat, clutch-less manual override, and a temperature range of -22°F to 156°F.

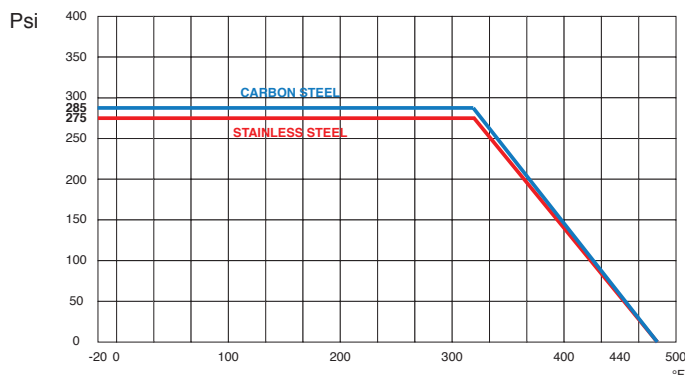
ACTUATOR FEATURES

- NEMA 4x, 7, 8 & 9 (CSA Approved)
- Enclosure conforms to IP68 with explosion-protected performance and 1/2" FNPT conduit connection
- Temperature range: -22°F to 158°F
- Clutch-less Manual Override
- Thermostatically controlled anti-condensation heater for working conditions
- Available in both ON/OFF (-00*) or 4~20 mA MODULATING (-02*)
- 30% Duty Cycle (ON/OFF) and 75% Duty Cycle (MODULATING)
- Continuous mechanical position indicator.
- Built-in thermal overload protection prevents motor burnout
- 2 auxiliary SPDT switches

VALVE FEATURES

- ISO 5211 Direct Mount
- Sizes 2" to 12"
- 8100 - Carbon Steel Wafer body
- 9100 - Stainless Steel Wafer body
- Compact Design, Easy Access to Packing
- Replaceable Seat Design
- Multiple V-Ring Stem Packing
- Reliable and Consistent Torques
- Optional Metal to Metal and PTFE Seat Design
- 14" to 24" Sizes Available Upon Request
- 150 WSP
- Temperature range: -20°F to 475°F

PRESSURE - TEMPERATURE CHART FOR SERIES 8100 & 9100



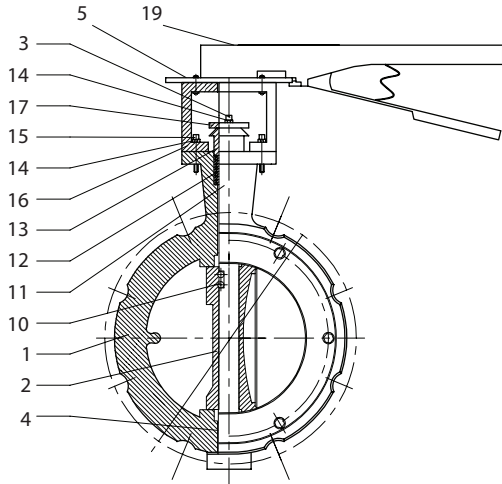
CSA APPROVALS

Class I, Division 1, Groups C, D, T4
Class II, Division 1, Groups E, F, G T130°C
Type 4x
Ex db IIB T4 Gb (For Canada)

Class I, Zone 1, AEx db IIB T4 Gb (For US)
Ex tb IIIC T130°C Db (For Canada)
Zone 21, AEx tb IIIC T130°C Db (For US)
IP68 (72h, 7m)



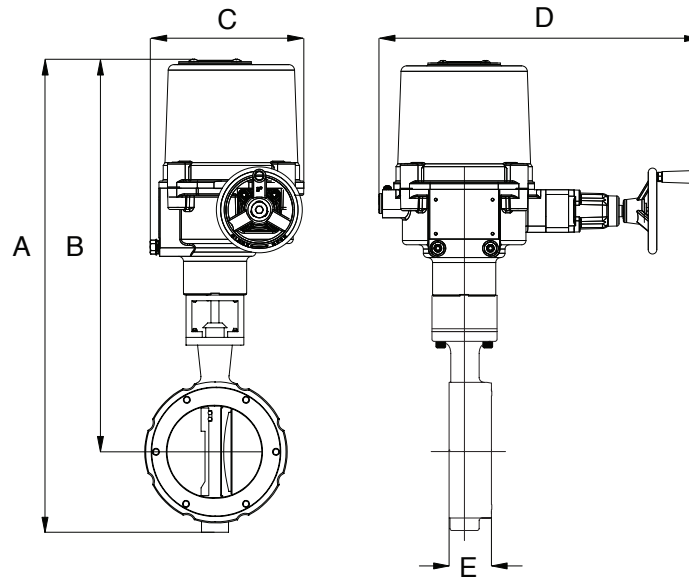
BILL OF MATERIALS FOR 8100/9100



| N POS | PART NAME | MATERIAL | N PCS |
|-------|----------------|------------------------|-------|
| 1 | BODY | WCB/CF8M | 1 |
| 2 | DISC | CF8M | 1 |
| 3 | STEM BOLT | SS304 | 2 |
| 4 | STEM BUSHING | SS316 + P.T.F.E. | 3 |
| 5 | PLATE | SS304 | 1 |
| 6 | SEAT RETAINER | WCB/CF8M | 1 |
| 7 | RETAINER SCREW | SS304 | 6-8 |
| 8 | O-RING | VITON® | 1 |
| 9 | SEAT | CARBON FILLED P.T.F.E. | 1 |
| 10 | PIN | SS316 | 2 |

| N POS | PART NAME | MATERIAL | N PCS |
|-------|-----------------|----------------|-------|
| 11 | STEM | AISI 17-4PH | 1 |
| 12 | V-RING | P.T.F.E. | 6-9 |
| 13 | GLAND BUSHING | SS316 | 1 |
| 14 | SPRING WASHER | SS304 | 4 |
| 15 | HEX BOLT | SS304 | 4 |
| 16 | MOUNTING FLANGE | WCB/CF8M | 1 |
| 17 | GLAND | CF8M | 1 |
| 18 | NUT | SS304 | 2 |
| 19 | HANDLE | MALLEABLE IRON | 1 |

DIMENSIONS



| Size | A | B | C | D | E | Act. |
|--------|-------|-------|-------|-------|------|--------|
| 2" | 16.03 | 13.03 | 5.51 | 4.43 | 1.75 | EAX035 |
| 2-1/2" | 15.74 | 13.03 | 5.51 | 4.43 | 1.88 | EAX035 |
| 3" | 17.04 | 14.01 | 5.51 | 4.43 | 1.92 | EAX035 |
| 4" | 21.49 | 17.99 | 5.39 | 4.45 | 2.13 | EAX045 |
| 5" | 26.39 | 22.14 | 8.46 | 17.80 | 2.25 | EAX080 |
| 6" | 27.57 | 22.67 | 8.46 | 17.80 | 2.31 | EAX130 |
| 8" | 30.87 | 25.37 | 11.57 | 21.54 | 2.50 | EAX360 |
| 10" | 33.83 | 25.93 | 11.57 | 21.54 | 2.81 | EAX360 |
| 12"* | C/F | | | | | |

* Battery Backup is not available on the 12" model

ON/OFF WIRING DIAGRAM

24V DC, 24V AC, 110V AC & 220VAC



POSITIONER WIRING DIAGRAM

24V DC, 24V AC, 110V AC & 220VAC

