



JOB NAME:	CONTRACTOR:
JOB LOCATION:	APPROVAL:
ENGINEER:	CONTRACTOR P.O.:
APPROVAL:	REPRESENTATIVE:

## EXM8E720370-00\*

**720370 2-WAY STAINLESS STEEL, ANSI 150 FLANGED, FIRE-SAFE, WAFER STYLE, FULL PORT BALL VALVE W CSA APPROVED EXPLOSION PROOF METAL ELECTRIC ACTUATOR**

**SIZES 1/2" TO 6"**

*002 24 AC/DC ON/OFF	*003 110V DC ON/OFF	*004 220V DC ON/OFF
*022 POSITIONER	*023 POSITIONER	*024 POSITIONER

### SPECIFICATIONS

The Bonomi EXM8E720370 series electric package features the 720370-stainless steel, fire-safe design, short pattern, wafer full port, ANSI 150 flanged ball valve, in sizes 1/2"-6".

This space saving valve also meets ANSI 16.34, ANSI 16.5, NACE MR 0175/ISO 15156 and NACE MR 0103. It has Carbon-filled PTFE seats, graphoil stem packing, and anti-static grounded ball and stem.

The heavy duty industrial EXM series electric actuator features a direct mount CSA certified NEMA 4X, 7, 8, and 9 housing, with 2 auxiliary switches, 1/2" conduit connections, built in thermal overload protection, heater & thermostat, clutch-less manual override, and a temperature range of -22°F to 156°F.

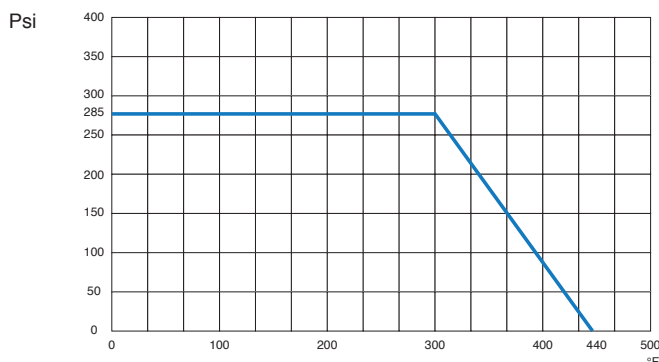
### ACTUATOR FEATURES

- NEMA 4x, 7, 8 & 9 (CSA Approved)
- Enclosure conforms to IP68 with explosion-protected performance and 1/2" FNPT conduit connection
- Temperature range: -22°F to 158°F
- Clutch-less Manual Override
- Thermostatically controlled anti-condensation heater for working conditions
- Available in both ON/OFF (-00\*) or 4~20 mA MODULATING (-02\*)
- 30% Duty Cycle (ON/OFF) and 75% Duty Cycle (MODULATING)
- Continuous mechanical position indicator.
- Built-in thermal overload protection prevents motor burnout
- 2 auxiliary SPDT switches

### VALVE FEATURES

- Stainless Steel, ANSI class 150 flanged
- Full port, sizes 1/2" to 6"
- Blow out proof stem
- Fire-safe approved with Antistatic stem device
- 25% carbon filled P.T.F.E ball seats.
- P.T.F.E. packing and thrust washer
- Space saving design
- 100% tested
- TUV T.A. Luft approved
- ANSI B16.34 design
- ISO 5211 mounting pad with double "D" stem
- Temperature range: -4° F to 450° F.

### PRESSURE - TEMPERATURE CHART FOR SERIES 720370



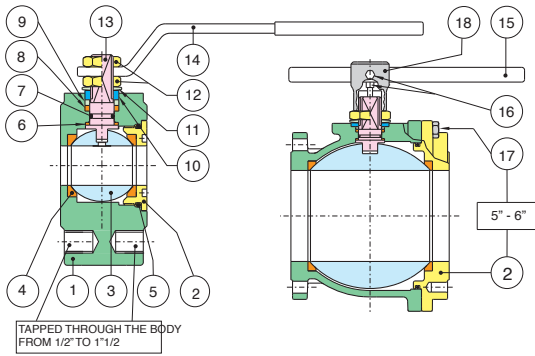
### CSA APPROVALS

Class I, Division 1, Groups C, D, T4  
Class II, Division 1, Groups E, F, G T130°C  
Type 4x  
Ex db IIB T4 Gb (For Canada)

Class I, Zone 1, AEx db IIB T4 Gb (For US)  
Ex tb IIIC T130°C Db (For Canada)  
Zone 21, AEx tb IIIC T130°C Db (For US)  
IP68 (72h, 7m)



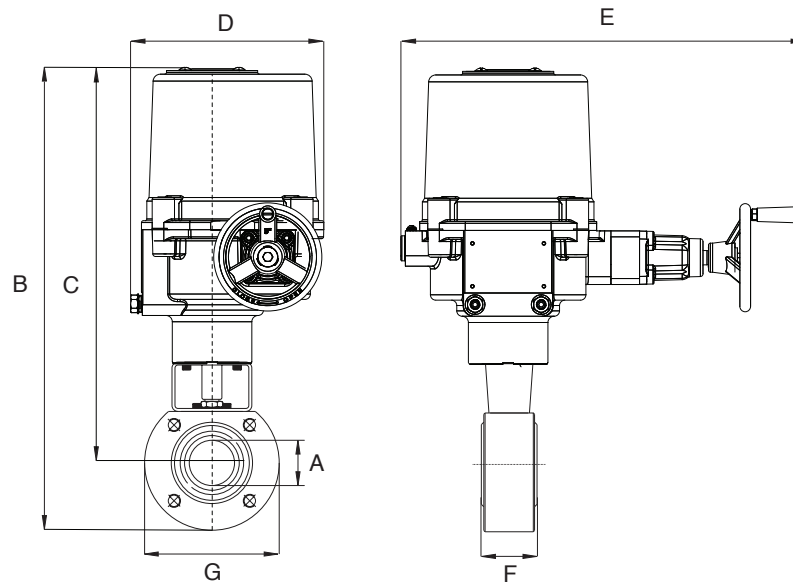
## BILL OF MATERIALS FOR 720370



N POS	PART NAME	MATERIAL	N PCS
1	BODY	A479-316/A351 CF8M	1
2	END CONNECTION	A479-316/A351 CF8M	1
3	BALL	A479-316/A351 CF8M	1
4	BALL SEATS	25% CARBON FILLED P.T.F.E.	2
5	O-RING	FKM (Viton®)	1
6	THRUST WASHER	P.T.F.E.	1
7	RING	FKM (Viton®)	1
8	STEM SEAL	GRAPHOIL	1
9	PACKING GLAND	STEEL	1
10	END STOP	AISI 430 (1/2" - 2") STEEL (2-1/2" - 6")	2 1

N POS	PART NAME	MATERIAL	N PCS
11	SPRING WASHER	STEEL	2
12	NUT	STEEL	2
13	STEM	AISI 304	1
14	HANDLE	STEEL	1
15	HANDLE DN 150-200	STEEL	1
16	SCREW	STEEL	2
17	SCREW	STEEL	8-12
18	BODY HANDLE DN150-200	CAST IRON	1
19	UNSCREWING GROWER	A182-F316	1

## DIMENSIONS



Size	A	B	C	D	E	F	G	Act.
1/2"	0.50	10.52	7.85	5.51	4.43	1.37	3.54	EAX035
3/4"	0.75	11.05	8.02	5.51	4.43	1.57	3.93	EAX035
1"	1.00	11.78	8.25	5.51	4.43	1.81	4.33	EAX035
1-1/4"	1.25	12.56	8.50	5.51	4.43	2.12	5.11	EAX035
1-1/2"	1.50	13.26	8.72	5.39	4.45	2.51	5.51	EAX045
2"	2.00	17.45	12.20	5.39	4.45	3.22	5.90	EAX045
2-1/2"	2.50	19.24	12.77	8.46	17.79	4.05	6.88	EAX080
3"	3.00	23.78	16.47	8.46	17.79	4.80	7.48	EAX130
4"	4.00	25.80	17.11	8.46	17.79	5.98	8.66	EAX130
6"	6.00	33.19	20.48	11.57	21.54	7.71	9.84	EAX360

## ON/OFF WIRING DIAGRAM

24V DC, 24V AC, 110V AC & 220VAC



## POSITIONER WIRING DIAGRAM

24V DC, 24V AC, 110V AC & 220VAC

