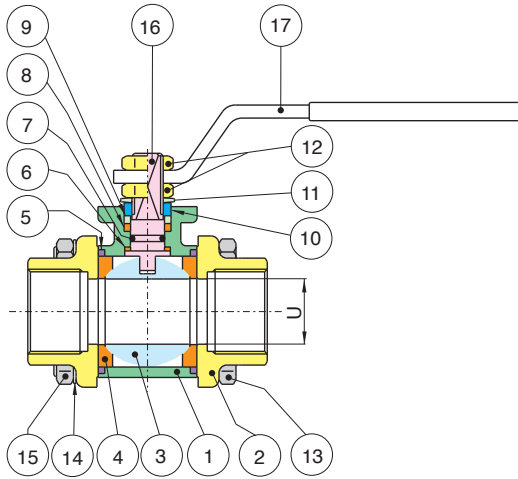




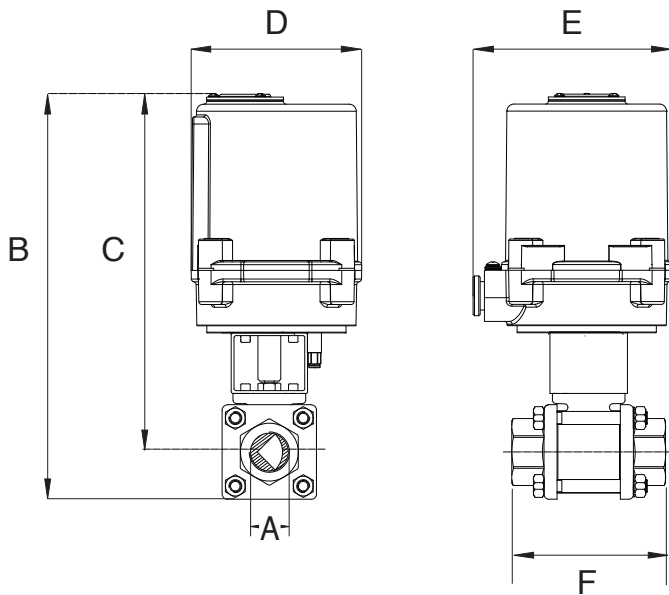
## BILL OF MATERIALS FOR 710190V36/V6/V9 - 710061V36/V6/V9



N POS	PART NAME	MATERIAL	N PCS
1	BODY	CF8M	1
2	END CAP	CF8M	2
3	BALL	AISI 304-CF8M	1
4	BALL SEAT	R.P.T.F.E.	2
5	SEAL	VITON	2
6	STEM SEAL	R.P.T.F.E.	1
7	O-RING	FKM (Viton)	1
8	STEM SEAL	R.P.T.F.E.	1
9	PACKING GLAND	STEEL	1

N POS	PART NAME	MATERIAL	N PCS
10	END STOP	AISI 430 (1/4" - 2")	2
		STEEL (2-1/2" - 4")	1
11	SPRING WASHER	STEEL (2-1/2" - 4")	2
12	NUT	STEEL	2
13	BOLT	STEEL (1/4" - 2")	4
		STEEL (2-1/2" - 4")	6
14	WASHER	STEEL (1/4" - 2")	4
		STEEL (2-1/2" - 4")	6
15	NUT	STEEL (1/4" - 2")	4
		STEEL (2-1/2" - 4")	6
16	STEM	AISI 304	1
17	HANDLE	STEEL	1

## DIMENSIONS



### EXM8E710190V36/V6/V9 - EXM8E71061V36/V6/V9 V-BALL SERIES MODEL OPTIONS

	<b>90° V-BALL</b>
	<b>EXM8E710190V9-0*</b> <b>EXM8E710061V9-0*</b>
	<b>60° V-BALL</b>
	<b>EXM8E710190V6-0*</b> <b>EXM8E710061V6-0*</b>
	<b>30-60° V-BALL</b>
	<b>M8E710190V36-0*</b> <b>M8E710061V36-0*</b>

Size	A	B	C	D	E	F	ACT.
1/2"	0.59	8.89	7.63	4.43	5.51	2.55	EAX035
3/4"	0.78	9.15	7.72	4.43	5.51	2.99	EAX035
1"	0.98	9.51	7.91	4.43	5.51	3.62	EAX035
1-1/4"	1.25	12.92	11.15	4.43	5.51	4.19	EAX045
1-1/2"	1.49	13.64	11.47	4.43	5.51	4.56	EAX045
2"	1.96	17.37	14.93	4.43	5.51	5.35	EAX080
3"	3.15	20.41	17.03	17.80	7.00	7.08	EAX360
4"	3.93	21.57	17.53	21.54	8.46	8.54	EAX450

## CV VERSUS VALVE OPENING PERCENTAGE

Size	Degree	10%	20%	30%	40%	50%	60%	70%	80%	90%
1/2"	30-60°	0	0.0	0.1	0.2	0.4	0.6	1.0	1.7	3
	60°	0	0.1	0.2	0.4	0.7	1.2	1.9	3.3	6
	90°	0	0.1	0.3	0.7	1.2	2.0	3.4	5.9	10
3/4"	30-60°	0	0.1	0.2	0.5	0.8	1.3	2.2	3.9	6
	60°	0	0.1	0.4	0.9	1.5	2.6	4.3	7.5	12
	90°	0	0.3	0.8	1.6	2.7	4.6	7.7	13.3	22
1"	30-60°	0	0.1	0.4	0.8	1.4	2.4	4.0	6.9	11
	60°	0	0.3	0.8	1.6	2.7	4.6	7.7	13.4	22
	90°	0	0.5	1.4	2.8	4.9	8.2	13.7	23.7	39
1-1/4"	30-60°	0	0.2	0.7	1.3	2.3	3.9	6.5	11.3	18
	60°	0	0.4	1.3	2.5	4.5	7.6	12.7	21.9	36
	90°	0	0.8	2.2	4.5	8.0	13.4	22.4	38.8	64
1-1/2"	30-60°	0	0.3	1.0	2.0	3.5	5.9	9.8	17.0	28
	60°	0	0.7	2.0	4.0	7.1	11.9	20.0	34.5	57
	90°	0	1.1	3.3	6.6	11.6	19.5	32.6	56.4	93
2"	30-60°	0	0.5	1.5	3.1	5.5	9.2	15.4	26.7	44
	60°	0	1.1	3.1	6.3	11.1	18.7	31.2	54.0	89
	90°	0	2.0	6.0	12.0	21.2	35.6	59.5	102.9	170
3"	30-60°	0	1.3	3.9	7.8	13.8	23.2	38.9	67.2	111
	60°	0	2.7	7.9	16.0	28.2	47.4	79.3	137.1	227
	90°	0	4.7	13.6	27.3	48.1	80.9	135.4	234.1	387
4"	30-60°	0	2.1	6.1	12.3	21.6	36.3	60.8	105.2	174
	60°	0	4.3	12.4	25.0	44.1	74.1	124.1	214.5	355
	90°	0	8.1	23.6	47.5	88	140.8	235.7	407.50	675

## POSITIONER WIRING DIAGRAM

24 AC/DC, 110VAC & 220VAC

