



JOB NAME:	CONTRACTOR:
JOB LOCATION:	APPROVAL:
ENGINEER:	CONTRACTOR P.O.:
APPROVAL:	REPRESENTATIVE:

EXM8E3000-00 *

**3000 2-WAY CARBON STEEL, FNPT THREADED DIRECT MOUNT BALL VALVE
W CSA APPROVED EXPLOSION PROOF METAL ELECTRIC ACTUATOR**

SIZES 1/4" TO 2"

*002 24 AC/DC ON/OFF	*003 110V DC ON/OFF	*004 220V DC ON/OFF
*022 POSITIONER	*023 POSITIONER	*024 POSITIONER

SPECIFICATIONS

The Bonomi EXM8E3000 series electric actuated package features a 3000 psi carbon steel ball valve, with an ISO 5211 direct mount pad and square stem. The valve also features Delrin seats and an investment cast WCB body.

The heavy duty industrial EXM series electric actuator features a direct mount CSA certified NEMA 4X, 7, 8, and 9 housing, with 2 auxiliary switches, 1/2" conduit connections, built in thermal overload protection, heater & thermostat, clutch-less manual override, and a temperature range of -22°F to 156°F.

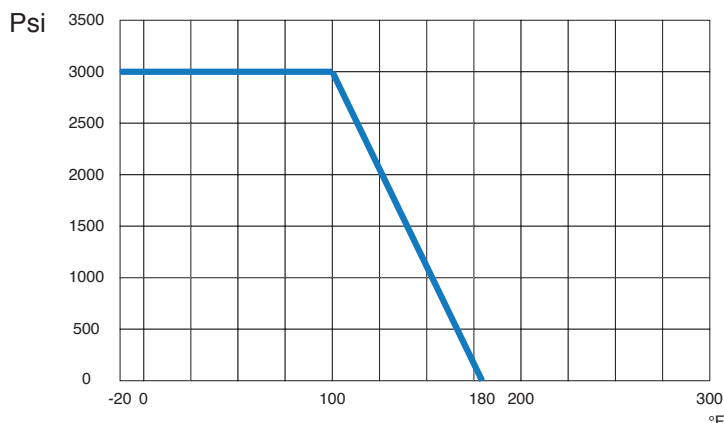
ACTUATOR FEATURES

- NEMA 4x, 7, 8 & 9 (CSA Approved)
- Enclosure conforms to IP68 with explosion-protected performance and 1/2" FNPT conduit connection
- Temperature range: -22°F to 158°F
- Clutch-less Manual Override
- Thermostatically controlled anti-condensation heater for working conditions
- Available in both ON/OFF (-00*) or 4~20 mA MODULATING (-02*)
- 30% Duty Cycle (ON/OFF) and 75% Duty Cycle (MODULATING)
- Continuous mechanical position indicator.
- Built-in thermal overload protection prevents motor burnout

VALVE FEATURES

- 2-piece WCB body
- Full port, sizes 1/4" to 1-1/2"
- Reduced port, sizes 2"
- Blow out proof stem/anti-static design
- Pressure rating 3000 psi (100°F)
- Temperature range -20°F to 185°F
- ISO 5211 mounting pad

PRESSURE - TEMPERATURE CHART FOR SERIES 3000



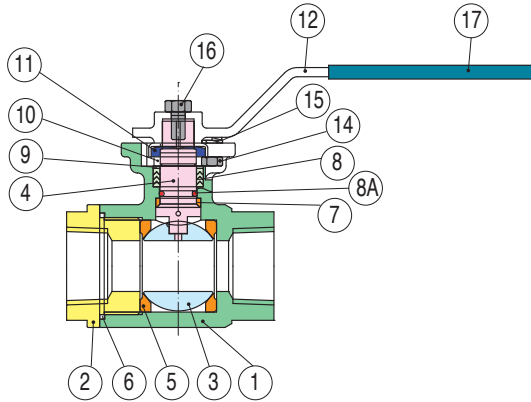
CSA APPROVALS

Class I, Division 1, Groups C, D, T4
Class II, Division 1, Groups E, F, G T130°C
Type 4x
Ex db IIB T4 Gb (For Canada)

Class I, Zone 1, AEx db IIB T4 Gb (For US)
Ex tb IIIC T130°C Db (For Canada)
Zone 21, AEx tb IIIC T130°C Db (For US)
IP68 (72h, 7m)



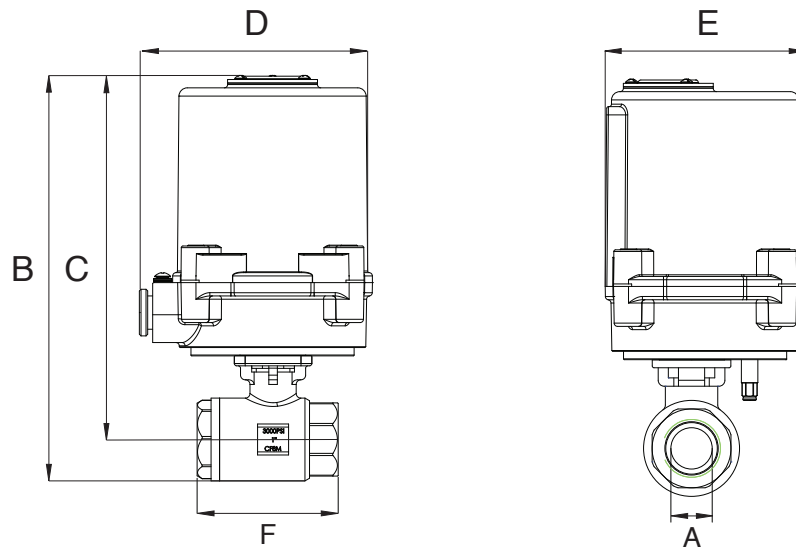
BILL OF MATERIALS FOR 3000



N POS	PART NAME	MATERIAL	N PCS
1	BODY	WCB	1
2	END CAP	WCB	1
3	BALL	CF8M	1
4	ANTI-STATIC STEM	SS 316	1
5	BALL SEAT	DELTRIN	2
6	BODY SEAL	P.T.F.E.	1
7	THRUST WASHER	P.T.F.E.	1
8	STEM PACKING	P.T.F.E.	1
8A	O-RING	VITON	1

N POS	PART NAME	MATERIAL	N PCS
9	THRUST WASHER	50% SS - 50% P.T.F.E.	1
10	STEM NUT	SS 304	1
11	LOCK SADDLE	SS 304	1
12	HANDLE	SS 304	1
13	STOP BOLT	SS 304	1
14	STOP NUT	SS 304	1
15	STOP WASHER	SS 304	1
16	HANDLE BOLD	SS 304	1
17	HANDLE SLEEVE	VINYL	1

DIMENSIONS



Size	1/4"	3/8"	1/2"	3/4"	1"	1-1/4"	1-1/2"	2"
A	0.38	0.38	0.50	0.69	0.87	1.14	1.37	1.37
B	8.79	8.79	8.79	8.94	9.46	12.90	13.76	13.76
C	8.22	8.22	8.22	8.33	8.72	12.08	12.72	12.72
D	5.51	5.51	5.51	5.51	5.51	5.39	5.39	5.39
E	4.43	4.43	4.43	4.43	4.43	4.45	4.45	4.45
F	2.95	2.95	2.95	3.19	3.58	4.33	4.76	5.71
Act.	EAX035	EAX035	EAX035	EAX035	EAX035	EAX045	EAX045	EAX045

ON/OFF WIRING DIAGRAM

24V DC, 24V AC, 110V AC & 220VAC



POSITIONER WIRING DIAGRAM

24V DC, 24V AC, 110V AC & 220VAC

