



<b>JOB NAME:</b>	<b>CONTRACTOR:</b>
<b>JOB LOCATION:</b>	<b>APPROVAL:</b>
<b>ENGINEER:</b>	<b>CONTRACTOR P.O.:</b>
<b>APPROVAL:</b>	<b>REPRESENTATIVE:</b>

## EXM8E085-00\*

**762000 2-WAY CARBON STEEL, ANSI 150 FLANGED, SPLIT BODY STYLE, FULL PORT BALL VALVE W CSA APPROVED EXPLOSION PROOF METAL ELECTRIC ACTUATOR**

**SIZES 1/2" TO 8"**

*002 24 AC/DC ON/OFF	*003 110V DC ON/OFF	*004 220V DC ON/OFF
*022 POSITIONER	*023 POSITIONER	*024 POSITIONER

### SPECIFICATIONS

The EXM8E085 series electric actuator assembled package features the 762000 series Class 150, full port, carbon steel split body, ISO 5211 pad, double D stem, flanged ball valve. This valve is designed to ANSI 16.5, ANSI 16.10, and ANSI 16.34. It is also certified to API 607, 4th edition, API 6FA, and meets NACE MR 0175 and NACE MR 0103.

The heavy duty industrial EXM series electric actuator features a direct mount CSA certified NEMA 4X, 7, 8, and 9 housing, with 2 auxiliary switches, 1/2" conduit connections, built in thermal overload protection, heater & thermostat, clutch-less manual override, and a temperature range of -22°F to 156°F.

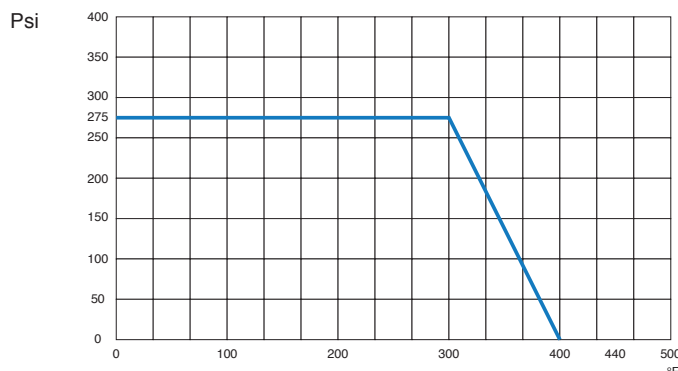
### ACTUATOR FEATURES

- NEMA 4x, 7, 8 & 9 (CSA Approved)
- Enclosure conforms to IP68 with explosion-protected performance and 1/2" FNPT conduit connection
- Temperature range: -22°F to 158°F
- Clutch-less Manual Override
- Thermostatically controlled anti-condensation heater for working conditions
- Available in both ON/OFF (-00\*) or 4~20 mA MODULATING (-02\*)
- 30% Duty Cycle (ON/OFF) and 75% Duty Cycle (MODULATING)
- Continuous mechanical position indicator.
- Built-in thermal overload protection prevents motor burnout
- 2 auxiliary SPDT switches

### VALVE FEATURES

- Carbon Steel, ANSI class 150 flanged
- Full port, sizes 1/2" to 8"
- Temperature range -4°F to 400°F
- Blow-out proof stem, adjustable stem packing
- P.T.F.E. seats, packing and thrust washer
- 100% tested
- PED 97/23/CE
- ANSI B16.5, B16.10, B16.34 design
- Fire Safe API 6FA-API 607 4th edition
- Antistatic Device
- ISO 5211 mounting pad with double "D" stem

### PRESSURE - TEMPERATURE CHART FOR SERIES 762000



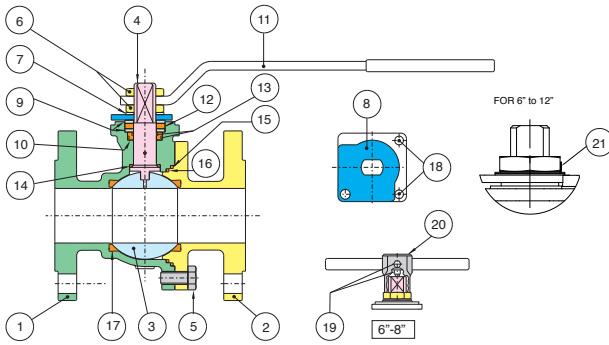
### CSA APPROVALS

Class I, Division 1, Groups C, D, T4  
Class II, Division 1, Groups E, F, G T130°C  
Type 4x  
Ex db IIB T4 Gb (For Canada)

Class I, Zone 1, AEx db IIB T4 Gb (For US)  
Ex tb IIIC T130°C Db (For Canada)  
Zone 21, AEx tb IIIC T130°C Db (For US)  
IP68 (72h, 7m)



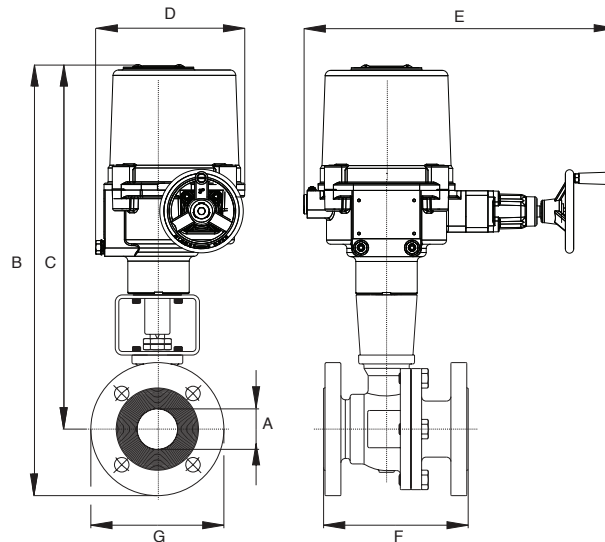
## BILL OF MATERIALS FOR 762000



N POS	PART NAME	MATERIAL	N PCS
1	BODY	A216 WCB	1
2	END CONNECTION	A216 WCB	1
3	BALL	A479-304/A351 CF8M	1
4	STEM	A479-304	1
5	SCREW	STAINLESS STEEL	4-8-12
6	NUT	STAINLESS STEEL	1-2
7	SPRING WASHER	STEEL	2
8	TRAVEL STOP	STEEL	1
9	PACKING GLAND	STEEL	2
10	STEM SEAL	P.T.F.E.	1
11	HANDLE	STEEL	1

N POS	PART NAME	MATERIAL	N PCS
12	STEM SEAL	GRAPHOIL	1
13	O-RING	FKM (Viton®)	2
14	THRUST WASHER	P.T.F.E.	1
15	SEAL	GRAPHOIL	1
16	SEAL	P.T.F.E.	1
17	BALL SEATS	P.T.F.E.	2
18	SCREW	STEEL	2
19	SCREW	STEEL	2
20	BODY HANDLE	CAST IRON	1
21	UNSCREWING GROWER	A182-F316	1

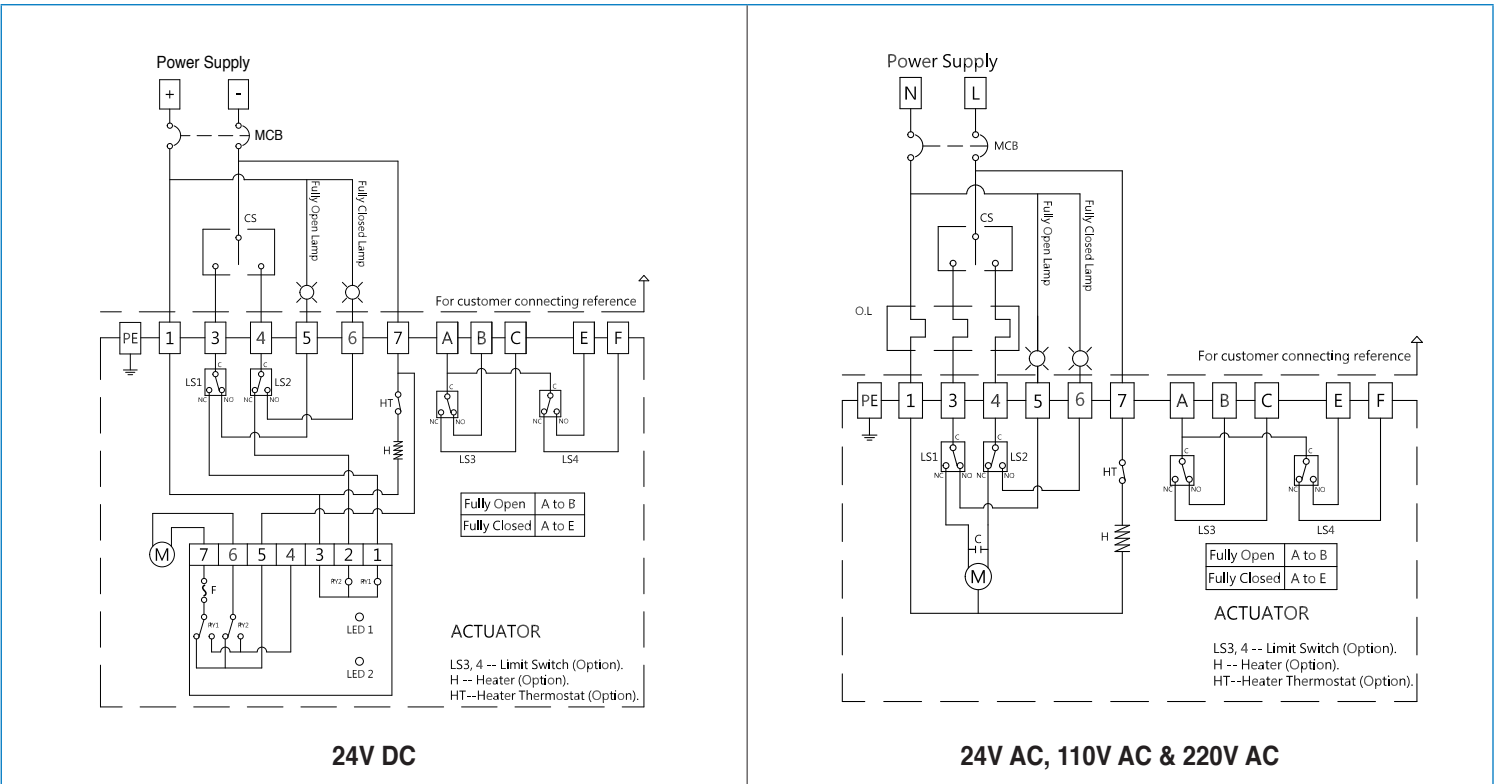
## DIMENSIONS



Size	A	B	C	D	E	F	G	Act.
1/2"	0.50	10.17	8.74	5.51	4.43	4.25	3.50	EAX035
3/4"	0.75	10.57	8.97	5.51	4.43	4.62	3.88	EAX035
1"	0.98	11.39	9.44	5.51	4.43	5.00	4.25	EAX035
1-1/2"	1.50	17.44	14.15	5.39	4.45	6.50	5.00	EAX045
2"	1.97	18.17	14.56	5.39	4.45	7.00	6.00	EAX045
3"	3.00	24.81	20.13	8.46	17.80	8.00	7.50	EAX080
4"	3.94	26.39	21.10	8.46	17.80	9.00	9.00	EAX130
6"	5.91	32.43	24.76	11.57	21.54	15.50	11.00	EAX360
8"	7.87	35.91	26.42	11.57	21.54	18.00	13.50	EAX450

## ON/OFF WIRING DIAGRAM

24V DC, 24V AC, 110V AC & 220VAC



## POSITIONER WIRING DIAGRAM

24V DC, 24V AC, 110V AC & 220VAC

