



<b>JOB NAME:</b>	<b>CONTRACTOR:</b>
<b>JOB LOCATION:</b>	<b>APPROVAL:</b>
<b>ENGINEER:</b>	<b>CONTRACTOR P.O.:</b>
<b>APPROVAL:</b>	<b>REPRESENTATIVE:</b>

## M8E0770-00\*

**770 DIRECT MOUNT, 2-WAY 3-PC STAINLESS STEEL, FULL PORT, SANITARY CONNECTION, NON-CAVITY FILLED BALL VALVE W CSA APPROVED EXPLOSION PROOF METAL ELECTRIC ACTUATOR**

**SIZES 1/2" TO 4"**

## M8E0771-00\*

**771 DIRECT MOUNT, 2-WAY 3-PC STAINLESS STEEL, FULL PORT, SANITARY CONNECTION, CAVITY FILLED BALL VALVE W CSA APPROVED EXPLOSION PROOF METAL ELECTRIC ACTUATOR**

**SIZES 1/2" TO 4"**

<b>*001</b> 12V AC/DC	<b>*002</b> 24V AC/DC	<b>*003</b> 100-240V AC
<b>*01*</b> BATTERY BACKUP	<b>*02*</b> POSITIONER	<b>*04*</b> BATTERY BACKUP W POSITIONER

### SPECIFICATIONS

The Bonomi EXM8E0770 and EXM8E0771 series electric actuated packages feature the 770[ non-cavity filled] and the 771[cavity filled] three-piece full port stainless steel ball valves with sanitary connections. Both valve series are ISO 5211 direct mount, and come with a grounded ball and stem, and a Ra 15 finish.

The heavy duty industrial EXM series electric actuator features a direct mount CSA certified NEMA 4X,7,8, and 9 housing, with 2 auxiliary switches, 1/2" conduit connections, built in thermal overload protection, heater & thermostat, clutch-less manual override, and a temperature range of -22°F to 156°F.

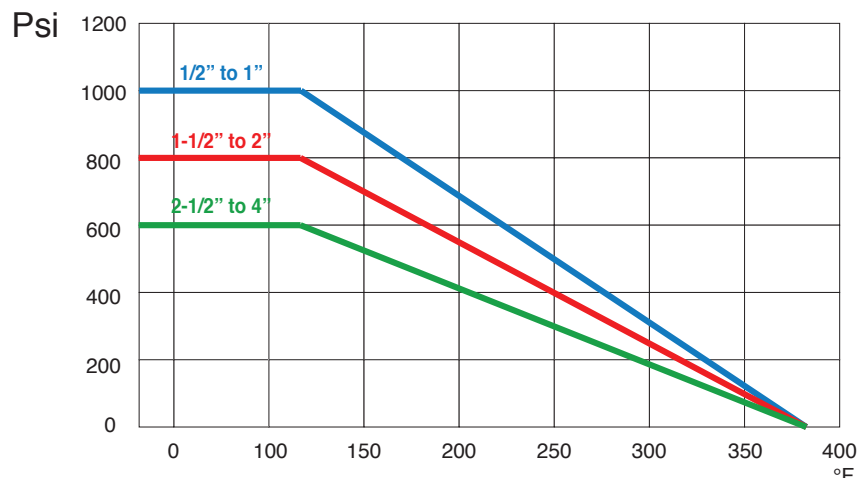
### ACTUATOR FEATURES

- NEMA 4x, 7, 8 & 9 (CSA Approved)
- Enclosure conforms to IP68 with explosion-protected performance and 1/2" FNPT conduit connection
- Temperature range: -22°F to 158°F
- Clutch-less Manual Override
- Thermostatically controlled anti-condensation heater for working conditions
- Available in both ON/OFF (-00\*) or 4~20 mA MODULATING (-02\*)
- 30% Duty Cycle (ON/OFF) and 75% Duty Cycle (MODULATING)
- Continuous mechanical position indicator.
- Built-in thermal overload protection prevents motor burnout
- 2 auxiliary SPDT switches

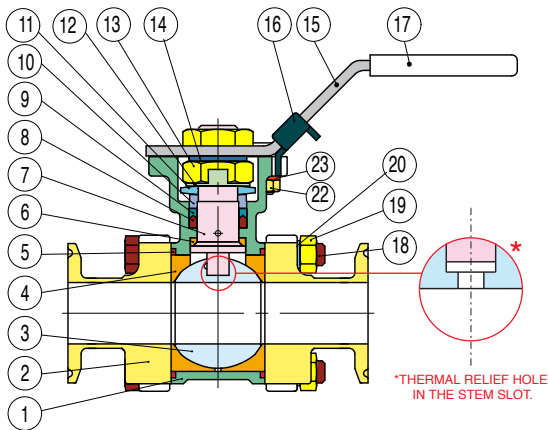
### VALVE FEATURES

- Stainless Steel, 3 Piece Direct Mount
- Full port, sizes 1/2" to 4"
- 770 - Non-Cavity Filled
- 771 - Cavity Filled
- ISO 5211 mounting pad with double "D" stem
- Temperature range -20°F to 450°F
- Working pressure 1000 psi WOG (1/2" to 1")  
800 psi WOG (1-1/2" to 2")  
600 psi WOG (2-1/2" to 4")
- Blow-out proof stem
- Anti-static Device
- International polishing to Ra 15 micron
- Tri-clamp style end connections
- Ball valves comply with standards: ISO 5211, ANSI B16.11, MSS SP-25, MSS SP-55
- Maintenance free live loaded double sealing stem

### PRESSURE - TEMPERATURE CHART FOR SERIES 770/771



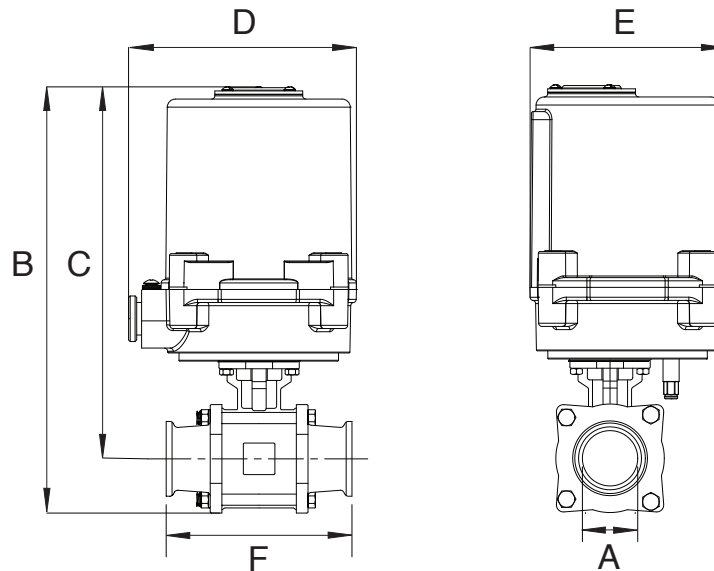
## BILL OF MATERIALS FOR 770/771



N POS	PART NAME	MATERIAL	N PCS
1	BODY	CF8M	1
2	END CONNECTION	CF8M	2
3	BALL	SS316L	1
4	SEATS	P.T.F.E.	2
5	JOINT GASKET	P.T.F.E.	2
6	STEM SEAL	R.P.T.F.E.	1
7	STEM	SS316L	1
8	GLAND PACKING	P.T.F.E.	2
9	GLAND PACKING	P.T.F.E. + GLASS	1
10	GLAND BUSH	SS304	1
11	BELLEVILLE WASHER	SS301	2
12	STOP WASHER	SS304	1

N POS	PART NAME	MATERIAL	N PCS
13	STEM NUT	SS304	2
14	STEM WASHER	SS304	1
15	HANDLE	SS304	1
16	LOCKING DEVICE	SS304	1
17	HANDLE SLEEVE	VINYL	1
18	BOLT	SS304	4
19	BOLT NUT	SS304	4
20	BOLT WASHER	SS304	4
21	STOP PIN	SS304	1
22	PIN NUT	SS304	1
23	WASHER	SS304	1

## DIMENSIONS



Size	1/2"	3/4"	1"	1-1/2"	2"	2-1/2"	3"	4"
<b>A</b>	0.37	0.62	0.87	1.37	1.87	2.37	2.87	3.83
<b>B</b>	9.00	9.34	9.83	11.03	11.47	19.26	19.78	20.62
<b>C</b>	8.26	8.49	8.83	9.66	9.96	17.34	17.70	18.28
<b>D</b>	5.51	5.51	5.51	5.51	5.51	8.46	8.46	11.57
<b>E</b>	4.43	4.43	4.43	4.43	4.43	7.01	7.01	7.01
<b>F</b>	3.50	3.99	4.50	5.51	6.25	6.85	7.60	8.89
<b>Act.</b>	EAX035	EAX035	EAX035	EAX035	EAX035	EAX080	EAX080	EAX130

