



JOB NAME:	CONTRACTOR:
JOB LOCATION:	APPROVAL:
ENGINEER:	CONTRACTOR P.O.:
APPROVAL:	REPRESENTATIVE:

M8E069-00*

955N STANDARD PORT DIRECT MOUNT, 3-WAY STAINLESS STEEL, "T" PORT BALL VALVE W CSA APPROVED EXPLOSION PROOF METAL ELECTRIC ACTUATOR
SIZES 1/2" TO 3"

M8E070-00*

965N STANDARD DIRECT MOUNT, 3-WAY STAINLESS STEEL, "L" PORT BALL VALVE W CSA APPROVED EXPLOSION PROOF METAL ELECTRIC ACTUATOR
SIZES 1/2" TO 3"

*002 24 AC/DC ON/OFF	*003 110V DC ON/OFF	*004 220V DC ON/OFF
*022 POSITIONER	*023 POSITIONER	*024 POSITIONER

SPECIFICATIONS

The EXM8E069/EXM8E070 series features the 955N (T-port) or 965N (L-port) in a 3-way ASTM A351-CF8M, standard port ball valve, with four seats, and a T ported configuration. The 955N valve is also an ISO 5211 direct mount style, with four seats. The four seats allow one to use any port as an entry port and offers an optional straight through flow and shut-off capabilities. The heavy duty industrial EXM series electric actuator features a direct mount CSA certified NEMA 4X, 7, 8, and 9 housing, with 2 auxiliary switches, 1/2" conduit connections, built in thermal overload protection, heater & thermostat, clutch-less manual override, and a temperature range of -22°F to 156°F.

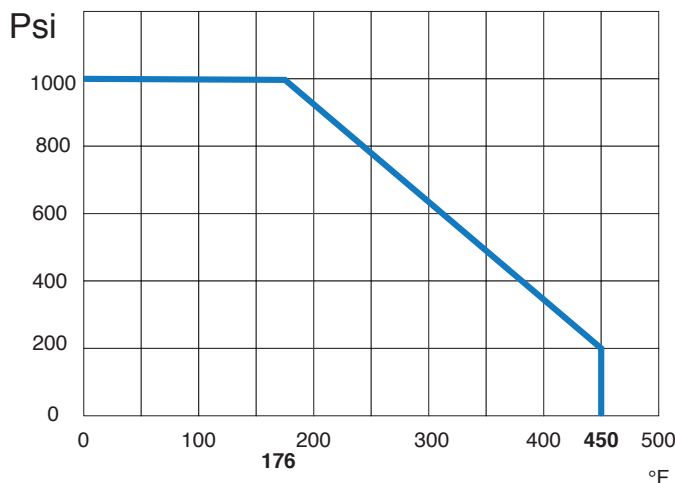
ACTUATOR FEATURES

- NEMA 4x, 7, 8 & 9 (CSA Approved)
- Enclosure conforms to IP68 with explosion-protected performance and 1/2" FNPT conduit connection
- Temperature range: -22°F to 158°F
- Clutch-less Manual Override
- Thermostatically controlled anti-condensation heater for working conditions
- Available in both ON/OFF (-00*) or 4~20 mA MODULATING (-02*)
- 30% Duty Cycle (ON/OFF) and 75% Duty Cycle (MODULATING)
- Continuous mechanical position indicator.
- Built-in thermal overload protection prevents motor burnout
- 2 auxiliary SPDT switches

VALVE FEATURES

- CF8M Stainless Steel
- Standard Port, Sizes 1/2" to 3"
- ISO 5211 pad and square stem
- Sizes 2-1/2" to 3" requires bracket
- Pressure rating to 1000psi (1/2" to 1-1/4"), 800 psi (1-1/2" to 3")
- Temperature range -4°F to 450°F
- Blow-out proof stem
- Self adjusting stem packing
- 100% electronically tested in the open and closed position@80 Psi

PRESSURE - TEMPERATURE CHART FOR SERIES 955N & 965N



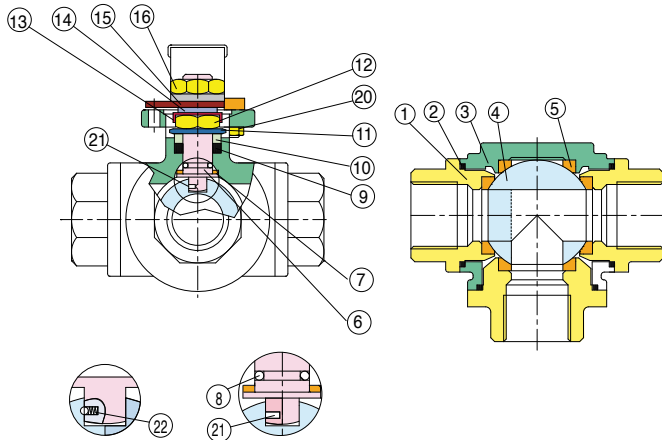
CSA APPROVALS

Class I, Division 1, Groups C, D, T4
Class II, Division 1, Groups E, F, G T130°C
Type 4x
Ex db IIB T4 Gb (For Canada)

Class I, Zone 1, AEx db IIB T4 Gb (For US)
Ex tb IIIC T130°C Db (For Canada)
Zone 21, AEx tb IIIC T130°C Db (For US)
IP68 (72h, 7m)



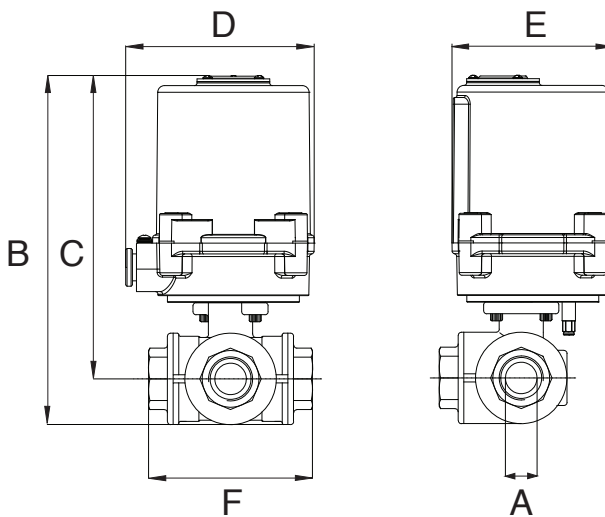
BILL OF MATERIALS FOR 955N & 965N



N POS	PART NAME	MATERIAL	N PCS
1	END CAP	A351 CF8M	3
2	GASKET	P.T.F.E.	3
3	BODY	A351 CF8M	1
4	BALL	SS316	1
5	SEATS	R.P.T.F.E.	4
6	STEM	SS316	1
7	STEM SEAL	R.P.T.F.E.	1
8	O-RING	FKM (Viton®)	1
9	STEM PACKING	P.T.F.E.	1
10	GLAND	SS304	1
11	DISK WASHER	SS301	2

N POS	PART NAME	MATERIAL	N PCS
12	STEM NUT	SS304	1
13	NUT STOP	SS304	1
14	SPACE WASHER	SS304	1
15	PLATE STOP	SS304	1
16	HANDLE NUT	SS304	1
17	HANDLE	SS304	1
18	HANDLE SLEEVE	VINYL	1
19	STOPPER	SS304	1
20	PIN NUT	SS304	1
21	INSERT PIN	SS316	1
22	ANTISTATIC DEVICE	SS316	1

DIMENSIONS



FLOW PATH VARIATIONS*

**T-PORT
FLOW PATH A**



STANDARD
(CCW)

ACTUATED
(CW)

**T-PORT
FLOW PATH B**



STANDARD
(CCW)

ACTUATED
(CW)

**L-PORT
FLOW PATH A**



STANDARD
(CCW)

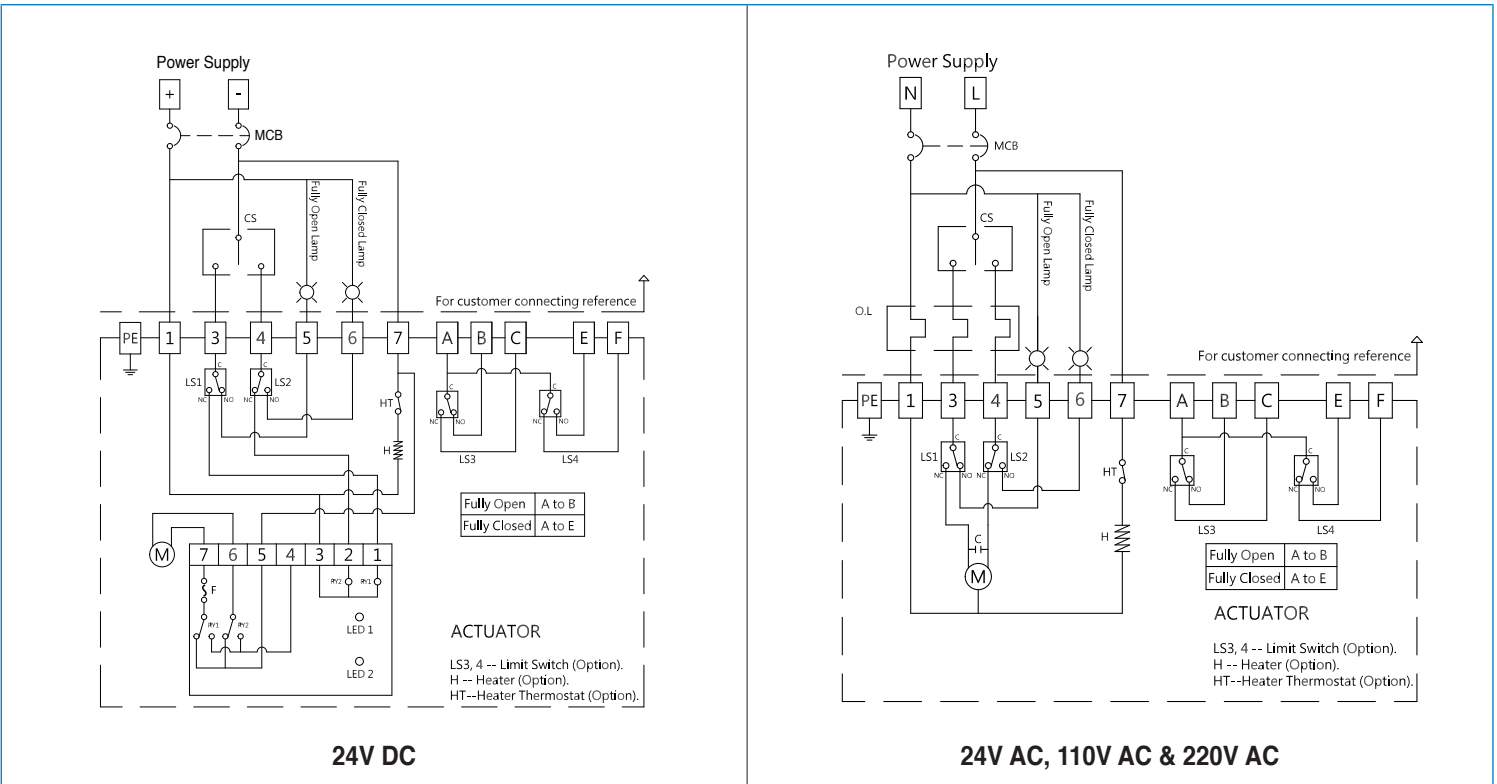
ACTUATED
(CW)

* Flow paths above are for actuated packages only. For manual valves flow paths, please reference page 22 of the N. 193 Hand-operated valve catalog.

Size	A	B	C	D	E	F	ACT.
1/2"	0.47	10.43	9.44	5.51	4.43	2.83	EAX035
3/4"	0.59	10.97	9.84	5.51	4.43	3.26	EAX035
1"	0.78	11.86	10.50	5.51	4.43	3.89	EAX035
1-1/4"	0.98	15.70	14.16	5.39	4.45	4.40	EAX045
1-1/2"	1.25	19.71	17.99	8.46	7.01	4.92	EAX080
2"	1.49	20.98	18.93	8.46	7.01	5.86	EAX080
2-1/2"	1.97	22.03	19.71	8.46	7.01	6.64	EAX130
3"	2.56	24.94	22.25	11.57	8.46	7.68	EAX360

ON/OFF WIRING DIAGRAM

24V DC, 24V AC, 110V AC & 220VAC



POSITIONER WIRING DIAGRAM

24V DC, 24V AC, 110V AC & 220VAC

