



JOB NAME:	CONTRACTOR:
JOB LOCATION:	APPROVAL:
ENGINEER:	CONTRACTOR P.O.:
APPROVAL:	REPRESENTATIVE:

## EXM8E064-00\*

**250N DIRECT MOUNT, 2-WAY BRASS, FULL PORT BALL VALVE W CSA APPROVED EXPLOSION PROOF METAL ELECTRIC ACTUATOR**

**SIZES 1/4" TO 4"**

*002 24 AC/DC ON/OFF	*003 110V DC ON/OFF	*004 220V DC ON/OFF
*022 POSITIONER	*023 POSITIONER	*024 POSITIONER

### SPECIFICATIONS

The EXM8E064 series package features, the RB 250N brass, low torque, 600psi full port ISO 5211 direct mount ball valve. The ball valve with its double O-ring, self-temperature adjustment stem sealing allows high cycle life with zero stem packing adjustment required.

The heavy duty industrial EXM series electric actuator features a direct mount CSA certified NEMA 4X, 7, 8, and 9 housing, with 2 auxiliary switches, 1/2" conduit connections, built in thermal overload protection, heater & thermostat, clutch-less manual override, and a temperature range of -22F to 156F.

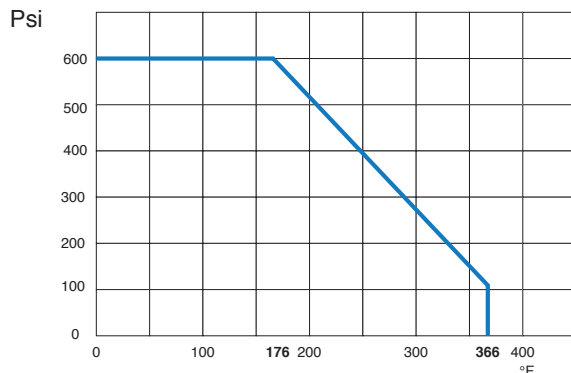
### ACTUATOR FEATURES

- NEMA 4x, 7, 8 & 9 (CSA Approved)
- Enclosure conforms to IP68 with explosion-protected performance and 1/2" FNPT conduit connection
- Temperature range: -22°F to 158°F
- Clutch-less Manual Override
- Thermostatically controlled anti-condensation heater for working conditions
- Available in both ON/OFF (-00\*) or 4~20 mA MODULATING (-02\*)
- 30% Duty Cycle (ON/OFF) and 75% Duty Cycle (MODULATING)
- Continuous mechanical position indicator.
- Built-in thermal overload protection prevents motor burnout
- 2 auxiliary SPDT switches

### VALVE FEATURES

- Full Port, Sizes 1/4" to 4"
- ISO 5211 pad and square stem
- Pressure rating to 600 WOG
- Temperature range -4°F to 366°F
- Low torque design with back up O-ring seats
- Double O-ring stem seal design for extended cycle life
- 100% electronically tested in the open and closed position@80 Psi

### PRESSURE - TEMPERATURE CHART FOR SERIES 250N



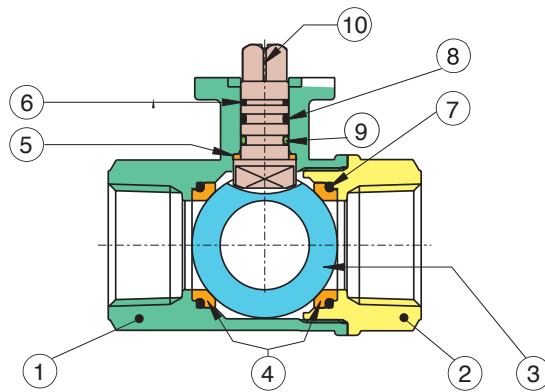
### CSA APPROVALS

Class I, Division 1, Groups C, D, T4  
Class II, Division 1, Groups E, F, G T130°C  
Type 4x  
Ex db IIB T4 Gb (For Canada)

Class I, Zone 1, AEx db IIB T4 Gb (For US)  
Ex tb IIIC T130°C Db (For Canada)  
Zone 21, AEx tb IIIC T130°C Db (For US)  
IP68 (72h, 7m)

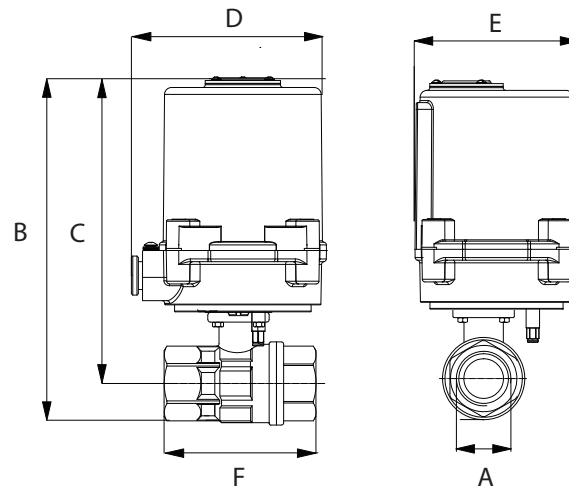


## BILL OF MATERIALS FOR 250N



N POS	PART NAME	MATERIAL	N PCS
1	BODY	BRASS C38000	1
2	END CONNECTION	BRASS C38000	1
3	BALL	SS316	1
4	BALL SEAT	P.T.F.E.	2
5	THRUST WASHER	P.T.F.E.	1
6	STEM SEAL	P.T.F.E.	1
7	O-RING	FKM (Viton®)	2
8	O-RING	EPDM	1
9	O-RING	FKM (Viton®)	1
10	STEM	BRASS C38000	1

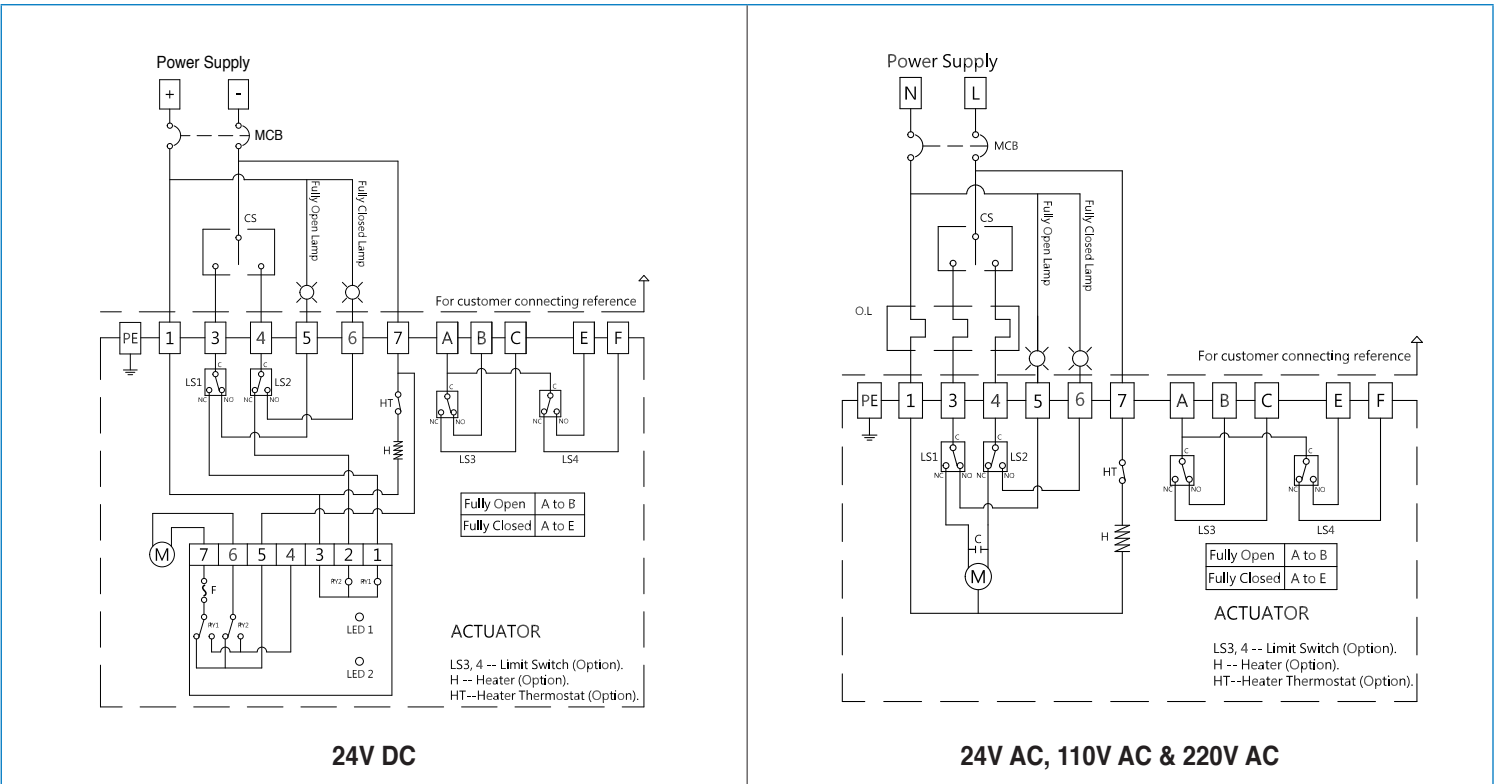
## DIMENSIONS



Size	A	B	C	D	E	F	ACT.
1/4"	.250	8.55	7.87	5.51	4.43	2.64	EAX035
3/8"	.375	8.55	7.87	5.51	4.43	2.64	EAX035
1/2"	.500	8.55	7.87	5.51	4.43	2.64	EAX035
3/4"	.750	8.75	8.03	5.51	4.43	2.99	EAX035
1"	1.00	9.37	8.43	5.51	4.43	3.35	EAX035
1-1/4"	1.25	9.69	8.68	5.51	4.43	3.66	EAX035
1-1/2"	1.50	10.57	9.25	5.51	4.43	4.13	EAX035
2"	2.00	11.29	9.78	5.51	4.43	4.80	EAX035
2-1/2"	2.50	10.46	9.78	5.51	4.43	6.10	EAX035
3"	3.00	12.34	11.34	5.39	4.45	6.89	EAX045
4"	4.00	19.98	17.57	8.46	7.01	8.03	EAX080

## ON/OFF WIRING DIAGRAM

24V DC, 24V AC, 110V AC & 220VAC



## POSITIONER WIRING DIAGRAM

24V DC, 24V AC, 110V AC & 220VAC

