



JOB NAME:	CONTRACTOR:
JOB LOCATION:	APPROVAL:
ENGINEER:	CONTRACTOR P.O.:
APPROVAL:	REPRESENTATIVE:

EVF300-0* - EVF600-0* - EVF900-0*
30° BALL 60° BALL 90° BALL

VF300/600/900 DIRECT MOUNT, 3-PC, 2-WAY STAINLESS STEEL FLANGED ANSI 150 V-BALL VALVE, FULL PORT BALL VALVE WITH VALBIA ELECTRIC ACTUATOR WITH POSITIONER OR POSITIONER W/ BATTERY BACKUP

SIZES 1/2" TO 6"

*022	24V AC/DC W POSITIONER	*023	100-240V AC W POSITIONER
*042	24V AC/DC W POSITIONER & BATTERY BACKUP	*043	100-240V AC W POSITIONER & BATTERY BACKUP

SPECIFICATIONS

The MEVF300/600/900 series features a V-ball control stainless steel ANSI 150 split body style flanged ball valve, with 30, 60, and 90-degree ball options. The 30-degree ball offers a special combination of 30 to 90 degrees.

The valve is a 275 psi rated ball valve, with a thermal protection relief hole, and 25% carbon-filled PTFE seats. This valve is designed to ANSI 16.5, ANSI 16.10, and ANSI 16.34.

The VB electric actuator features a NEMA 4, 4X housing, two extra limit switches, a heater and thermostat, torque limiter, special manual override, and a 75% duty cycle motor. PG11 connections are standard, with optional 1/2" conduit.

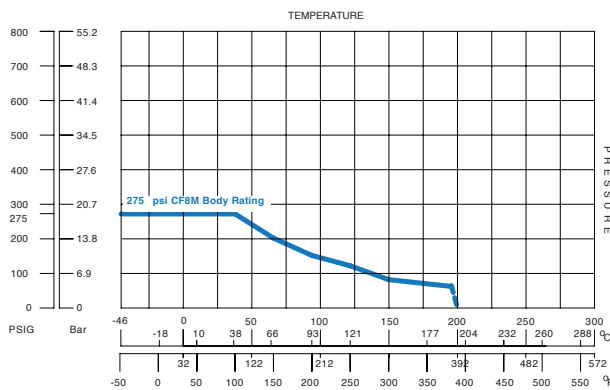
ACTUATOR FEATURES

- NEMA 4, 4X IP67 Housing
- 12V/24V AC/DC and 100-240V AC Models Available
- ISO 5211 dual patterns
- 12/24V DC and 100-240V AC - 75% Duty Cycle
- High-Strength, Impact Resistant IP67 Technopolymer Housing
- Heater & Thermostat
- Torque Limiter
- Temperature Range -4°F to 131°F
- PG11 Electrical Connection/Optional 1/2" Conduit

VALVE FEATURES

- Stainless steel, ANSI 150 flanged
- Full port, sizes 1/2" to 6"
- ISO 5211 mounting pad w/ square stem
- 25% carbon filled P.T.F.E. ball seats
- Temperature range -18°F to 392°F
- ANSI 16.5, 16.10 and 16.34
- Blow out proof stem
- Live loaded stem packing design
- Anti-static design
- P.T.F.E. packing and thrust washer

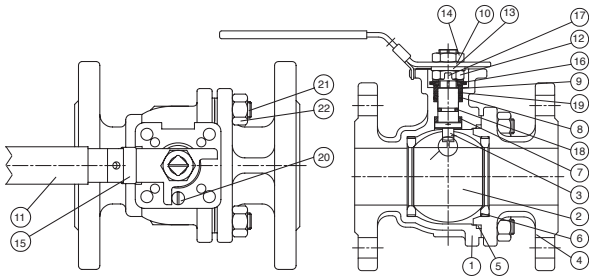
PRESSURE - TEMPERATURE CHART FOR SERIES VF300/VF600/VF900



VF300/VF600/VF900 V-BALL SERIES MODEL OPTIONS

	90° V-BALL
	EVF300-0*
	60° V-BALL
	EVF600-0*
	30° V-BALL
	EVF900-0*

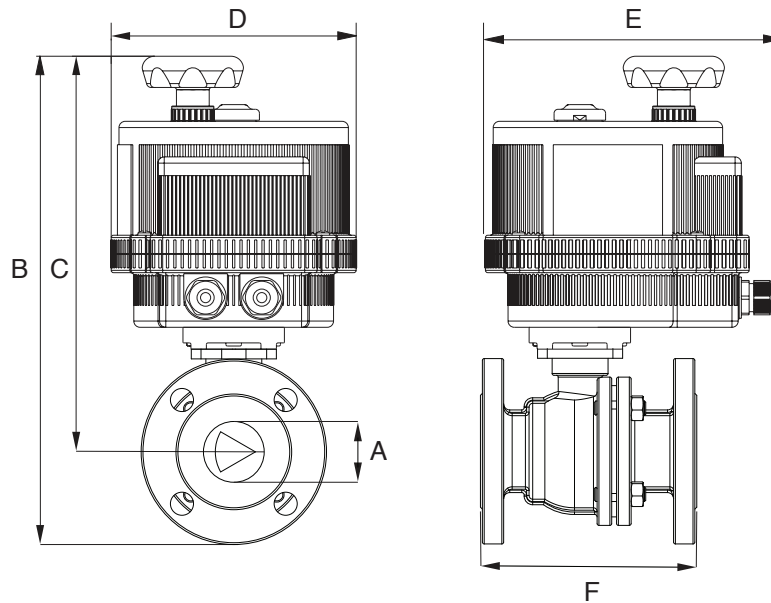
BILL OF MATERIALS FOR VF300/VF600/VF900



N POS	PART NAME	MATERIAL	N PCS
1	BODY	ASTM A351 Gr. CF8M	1
2	BALL	ASTM A351 Gr. CF8M	1
3	STEM	SS 316	1
4	END CAP	ASTM A351 Gr. CF8M	2
5	BODY SEAL	P.T.F.E.	1
6	SEAT	Carbon graphite filled P.T.F.E.	2
7	THRUST WASHER	P.T.F.E.	1
8	STEM PACKING	P.T.F.E.	1
9	GLAND	SS 304	1
10	HANDLE	SS 304	1
11	HANDLE COVER	PLASTIC	1

N POS	PART NAME	MATERIAL	N PCS
12	STEM NUT	SS 304	1
13	HANDLE WASHER	SS 304	1
14	HANDLE NUT	SS 304	1
15	LOCKING PAD	SS 304	1
16	BELLEVILLE WASHER	SS 304	2
17	TAB WASHER	SS 304	1
18	O-RING	VITON	1
19	PACKING FOLLOWER	P.T.F.E. + 25% GF	1
20	STOP PIN	SS 304	1
21	BODY STUD	ASTM A193 GR. B8	4-8
22	BOLT NUT	ASTM A194 GR. 8	4-8

DIMENSIONS



Size	A	B	C	D	E	F	ACT.
1/2"	0.59	10.57	9.72	6.18	7.48	4.25	VB030
3/4"	0.79	11.37	10.27	6.18	7.48	4.61	VB030
1"	0.98	11.48	10.35	6.18	7.48	5.00	VB030
1-1/4"	1.26	11.88	10.63	6.18	7.48	5.51	VB030
1-1/2"	1.50	13.00	11.65	7.28	8.43	6.50	VB060
2"	1.97	13.48	11.99	7.28	8.43	7.01	VB060
2-1/2"	2.52	15.78	13.88	8.31	13.03	7.48	VB110
3"	2.99	16.30	14.25	8.31	13.03	7.99	VB190
4"	3.94	18.54	15.80	8.74	13.86	9.02	VB270

CV VERSUS VALVE OPENING PERCENTAGE

Size	V-Ball Angle	Class VI S/O	Low %	Control Zone									Full Open
				0%	10%	20%	30%	40%	50%	60%	70%	80%	
1/2"	30°	0.00	0.04	0.24	0.47	0.77	1.19	1.84	2.46	3.42	4.63	5.57	
	60°	0.00	0.04	0.29	0.74	1.11	1.83	2.91	4.31	7.01	9.45	12.79	
	90°	0.00	0.06	0.47	0.85	1.27	2.11	3.22	4.77	8.31	11.59	14.72	
3/4"	30°	0.00	0.07	0.29	0.63	1.02	1.56	2.44	3.26	4.52	6.12	7.31	
	60°	0.00	0.07	0.36	0.94	1.48	2.42	3.86	5.26	9.24	12.43	16.27	
	90°	0.00	0.08	0.61	1.10	1.71	2.69	4.27	6.25	10.85	15.30	19.39	
1"	30°	0.00	0.09	0.45	1.25	2.07	3.56	5.32	7.69	10.51	12.85	15.49	
	60°	0.00	0.10	0.70	1.75	2.77	5.14	8.01	11.89	18.71	23.23	32.81	
	90°	0.00	0.11	1.00	2.77	5.10	7.74	12.20	17.32	24.47	26.81	43.88	
1-1/4"	30°	0.00	0.05	0.47	1.35	2.49	4.13	6.11	8.81	11.75	14.86	17.36	
	60°	0.00	0.07	0.66	2.04	3.42	6.45	10.79	15.41	22.34	33.39	43.43	
	90°	0.00	0.08	0.80	2.91	5.52	10.23	17.27	19.51	34.93	51.75	65.82	
1-1/2"	30°	0.00	0.07	0.66	1.87	3.40	5.66	8.36	12.14	16.17	20.45	23.88	
	60°	0.00	0.09	0.93	2.82	4.70	8.89	14.84	21.16	30.73	45.87	59.75	
	90°	0.00	0.10	1.07	4.00	7.45	14.08	23.78	26.77	48.05	71.17	90.50	
2"	30°	0.00	0.09	1.19	3.80	7.53	12.27	17.85	26.45	36.46	48.10	55.84	
	60°	0.00	0.11	1.53	5.79	10.41	20.58	34.10	48.74	69.05	104.23	135.77	
	90°	0.00	0.17	1.90	7.28	13.59	25.37	42.30	55.55	87.04	129.77	167.36	
2-1/2"	30°	0.00	0.09	1.16	4.44	7.91	13.40	20.05	30.44	41.92	69.78	76.95	
	60°	0.00	0.13	1.46	5.91	11.88	23.24	37.94	59.30	83.30	113.64	162.55	
	90°	0.00	0.18	1.86	7.28	16.45	31.15	53.54	77.87	118.29	177.33	239.42	
3"	30°	0.00	0.13	1.21	4.16	9.49	15.97	26.78	38.92	53.30	69.78	85.92	
	60°	0.00	0.15	2.91	6.73	15.81	29.38	46.34	73.58	106.72	149.89	193.22	
	90°	0.00	0.20	4.13	8.66	21.10	41.09	69.31	105.90	161.04	237.24	359.22	
4"	30°	0.00	0.16	1.75	7.84	18.61	35.21	58.61	87.88	127.45	158.53	196.34	
	60°	0.00	0.26	2.22	12.46	33.68	63.00	106.27	160.48	233.98	329.51	437.40	
	90°	0.00	0.35	4.36	19.70	50.31	91.82	157.45	240.50	365.15	546.65	830.90	

POSITIONER WIRING DIAGRAM - VB030 - VB350

12V AC/DC, 24V AC/DC & 100-240VAC

