



JOB NAME:	CONTRACTOR:
JOB LOCATION:	APPROVAL:
ENGINEER:	CONTRACTOR P.O.:
APPROVAL:	REPRESENTATIVE:

EBFVSTCE

BFVSTCE STAINLESS STEEL BUTTERFLY VALVE WITH SANITARY TRI-CLAMP ENDS AND EPDM SEAT WITH VALBIA ELECTRIC ACTUATOR

SIZES 1/2" TO 8"

*** E = EPDM / S = SILICONE / V = VITON**

*001	12V AC/DC	*002	24V AC/DC	*003	100-240V AC
01	BATTERY BACKUP	*02*	POSITIONER	*04*	BATTERY BACKUP W POSITIONER

SPECIFICATIONS

The EBFVSTCE plastic electric actuated package features the BFVSTCE sanitary butterfly valve with sanitary tri-clamp ends and an EPDM seat. The valve has a 3-A surface finish and meets all related FDA and USDA standards, The disc also has a mirror finish for prevention of particles and obstructions.

The VB electric actuator features a NEMA 4, 4X housing, two extra limit switches, a heater and thermostat, torque limiter, special manual override, and a 75% duty cycle motor. PG11 connections are standard, with optional 1/2" conduit. The actuator is CSA and UL certified.

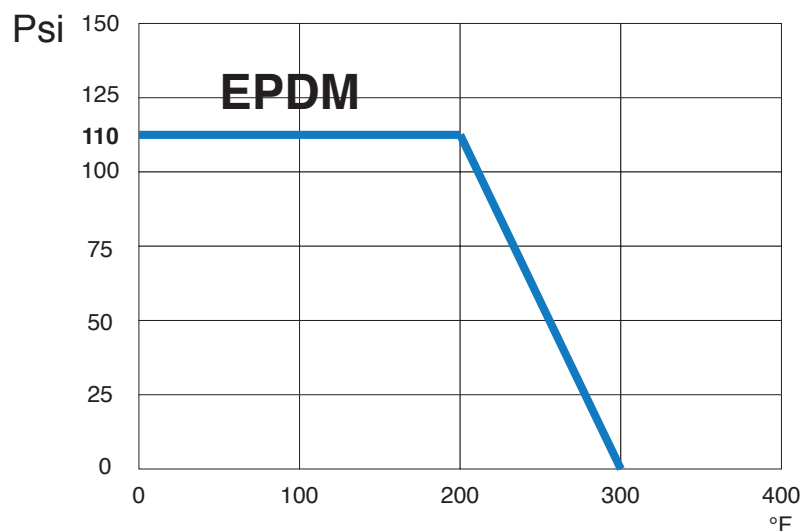
ACTUATOR FEATURES

- NEMA 4, 4X Housing - CSA, UL certified
- 12V/24V AC/DC and 100-240V AC Models Available
- ISO 5211 dual patterns
- VB015 -12/24V AC - 50% Duty Cycle
- VB030-VB060 - 12/24V DC and 100-240V AC - 75% Duty Cycle
- High-Strength, Impact Resistant IP67 Technopolymer Housing
- Temperature Range -4°F to 131°F
- PG11 Electrical Connection/Optional 1/2" conduit connection

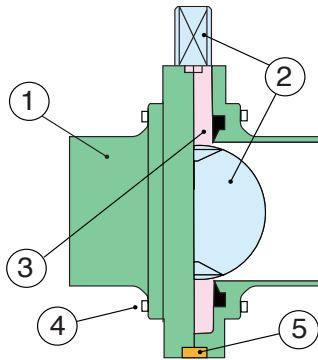
VALVE FEATURES

- AISI 316 L Stainless Steel
- EPDM seat standard
- Silicone or FKM (Viton) seats optional
- Full port, sizes 1/2" to 8"
- Sanitary Tri-Clamp Ends
- Surface finish meets 3-A, FDA & USDA standards
- 13-position, 304SS spring loaded lever lock handle 1/2" to 6"
- 110 PSI @ 200°F

PRESSURE - TEMPERATURE CHART FOR SERIES BFVSTCE

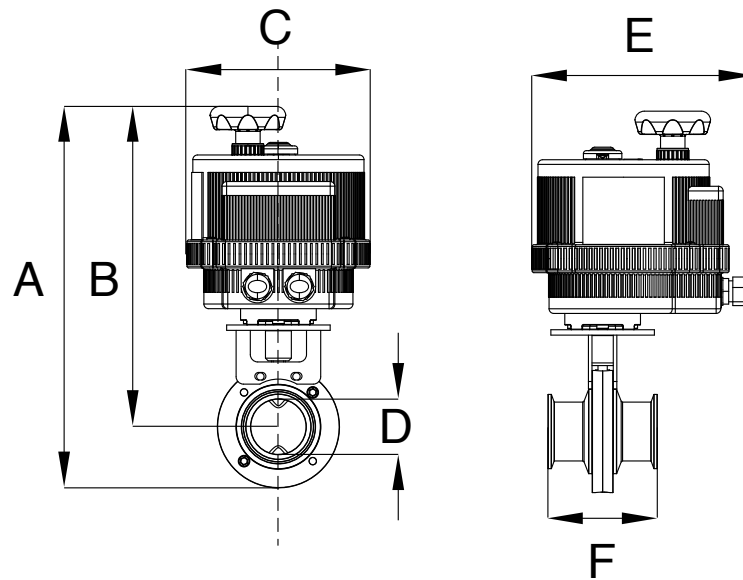


BILL OF MATERIALS FOR BFVSTCE



N POS	PART NAME	MATERIAL	N PCS
1	BODY HALF	316L	2
2	DISC	316L	1
3	SEAT	EPDM	1
4	BODY BOLTS	304SS	4
5	BODY CAP	BUNA-N	1

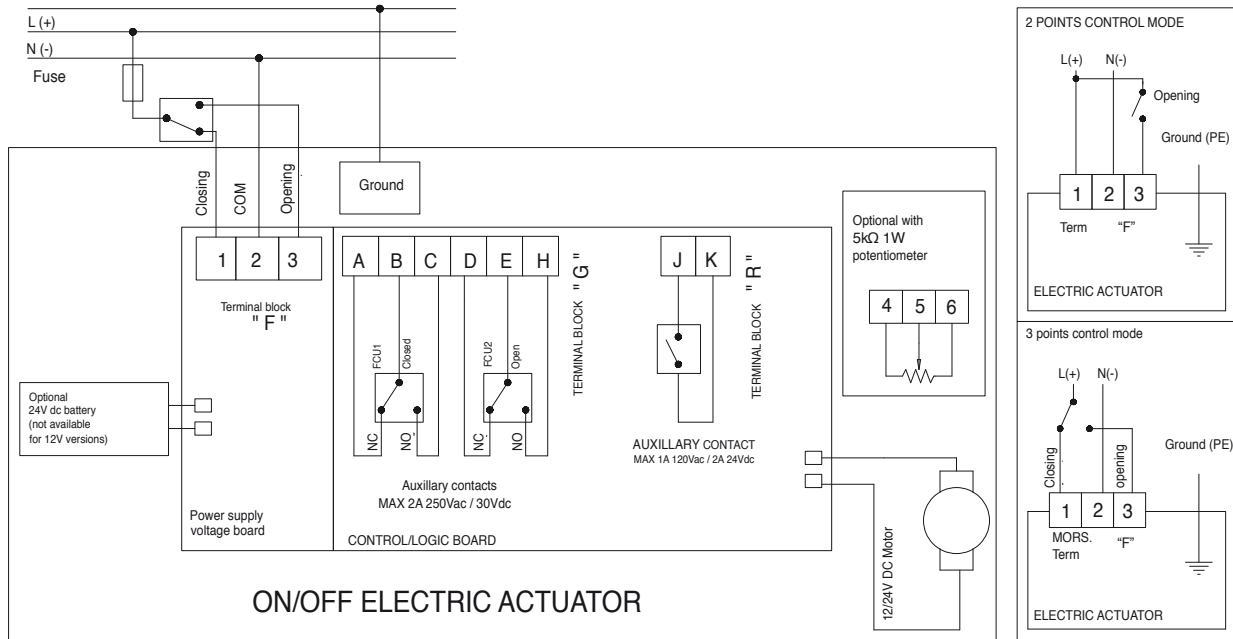
DIMENSIONS



Size	A	B	C	D	E	F	Act.
1/2"	11.50	9.95	6.18	3.00	7.48	3.50	VB030
3/4"	11.50	9.95	6.18	3.00	7.48	3.50	VB030
1"	11.51	9.96	6.18	0.87	7.48	3.50	VB030
1-1/2"	11.75	10.08	6.18	1.37	7.48	3.50	VB030
2"	13.03	10.97	6.18	1.87	7.48	3.74	VB030
2-1/2"	13.31	11.11	6.18	2.37	7.48	3.82	VB030
3"	14.88	12.42	7.28	2.84	8.43	4.06	VB060
4"	16.64	13.55	7.28	3.84	8.43	4.78	VB060
6"	19.34	15.24	8.31	5.84	9.33	6.00	VB110
8"	22.36	16.75	8.31	7.93	9.33	6.56	VB110

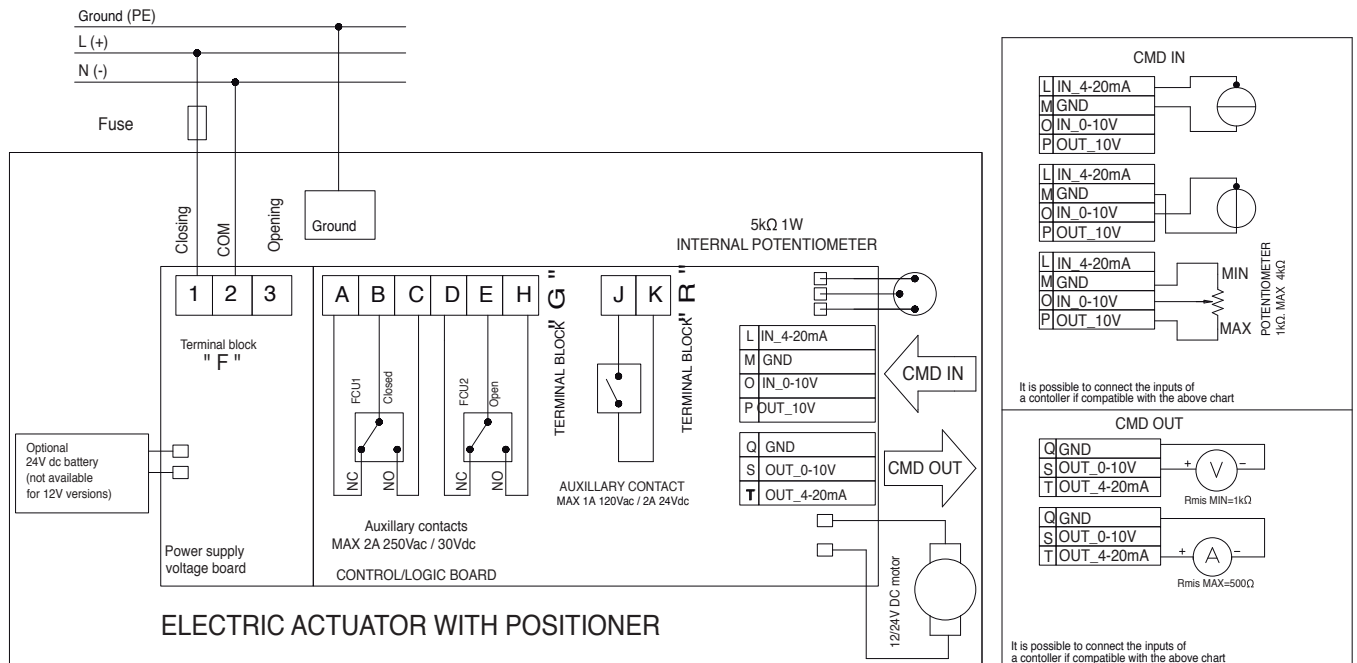
ON/OFF WIRING DIAGRAM - VB030 -VB110

12V AC/DC, 24V AC/DC & 100-240VAC



POSITIONER WIRING DIAGRAM - VB030 -VB110

12V AC/DC, 24V AC/DC & 100-240VAC



The power supply COM signal (pin "2" terminal block "F") cannot share the same electrical command ground signal (pin "GND" terminal block "CDM IN") or feedback ground signal (pin "GND" terminal block "CDM OUT").