



JOB NAME:	CONTRACTOR:
JOB LOCATION:	APPROVAL:
ENGINEER:	CONTRACTOR P.O.:
APPROVAL:	REPRESENTATIVE:

E97T-STC T-PORT

E97L-STC L-PORT

97T-STC 3-WAY T-PORT STAINLESS STEEL, CAVITY-FILLED BLOCK BODY W/ SANITARY TRI-CLAMP ENDS WITH VALBIA ELECTRIC ACTUATOR

SIZES 1/2" TO 4"

*001	12V AC/DC	*002	24V AC/DC	*003	100-240V AC
01	BATTERY BACKUP	*06*	3-POSITION	*08*	BATTERY BACKUP W 3-POSITION

SPECIFICATIONS

The E97T-STC/E97L-STC electric actuated packages include the 97 series cavity-filled block style, with sanitary tri-clamp ends, ISO 5211 direct mount, three-way (T or L), full port, ASTM A 351-CF8M stainless steel ball valve. The block style allows versatility to offer a T-port or an L-port. The Valbia electric VB series actuator fits directly over the 97-series square stem and ISO 5211 pad. The actuator also is standardly furnished with dual voltages, two extra limit switches, torque limiter, extended manual override, 75% duty cycle motor, in a IP 67, NEMA 4, 4X technopolymer housing.

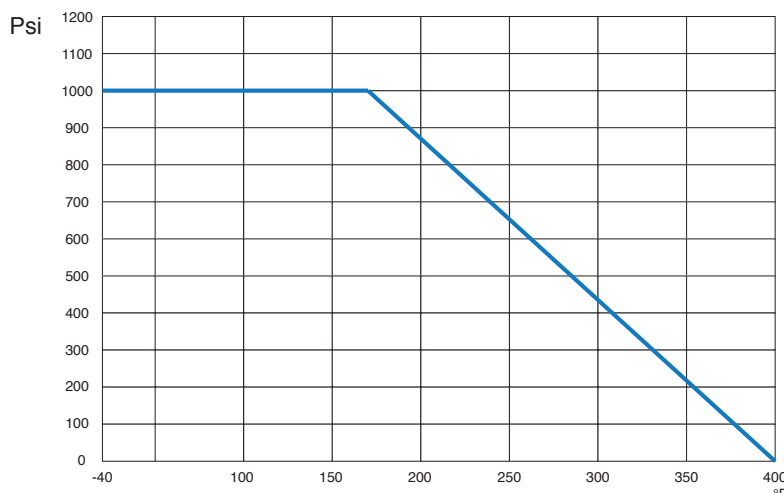
ACTUATOR FEATURES

- NEMA 4, 4X Housing - CSA, UL approved
- 12V/24V AC/DC and 100-240V AC Models Available
- ISO 5211 dual patterns
- VB015 - 12/24V AC - 50% Duty Cycle
- VB030-VB110 - 12/24V DC and 100-240V AC - 75% Duty Cycle
- High-Strength, Impact Resistant IP67 Technopolymer Housing
- Temperature Range -4°F to 131°F
- PG11 Electrical Connection/Optional 1/2" Conduit

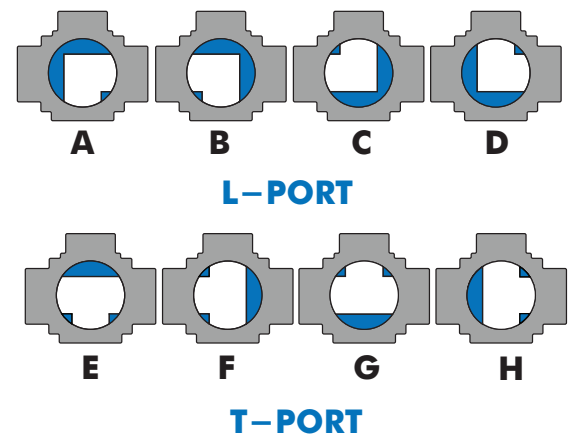
VALVE FEATURES

- Stainless Steel CF3M block body
- Full port, sizes 1/2" to 4"
- Pressure rating 1000 psi
- ISO 5211 direct mounting pad w/ square stem
- 8-12 Ra finish and cavity fillers meets FDA, USDA and 3A requirements
- Temperature range -40°F to 400°F
- Blow-out proof stem
- P.T.F.E. seats & seals
- Anti-static device
- 100% tested
- All stainless steel external components
- Extended butt weld and 4-way double L-port available upon request

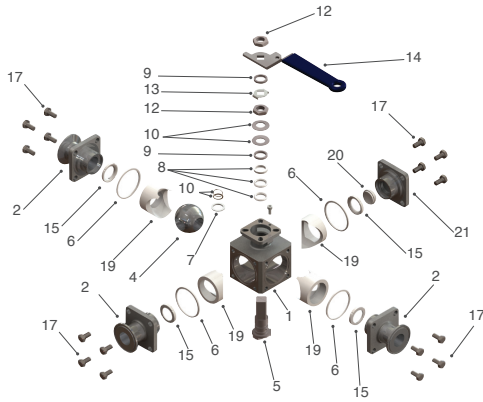
PRESSURE - TEMPERATURE CHART FOR SERIES 97T-STC/97L-STC



PORT CONFIGURATIONS



BILL OF MATERIALS FOR 97T-STC/97L-STC

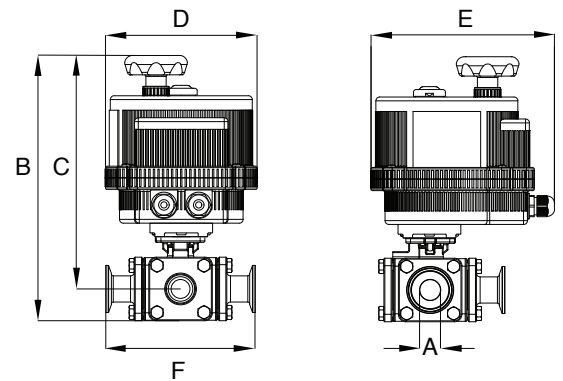


N POS	PART NAME	MATERIAL	N PCS
1	BODY	CF3M	1
2	END CAPS	CF3M	3
3	SEATS	PTFE	4
4	BALL	SS 316	1
5	STEM	SS 316	1
6	JOINT GASKET	PTFE	4
7	BODY GASKET	PTFE	1
8	STEM SEATS	PTFE	3
9	GLAND RING	SS 304	2
10	O-RING	Viton (FKM)	1
11	BELLEVILLE WASHER	SS 301	2

N POS	PART NAME	MATERIAL	N PCS
12	LEVER NUT	SS 304	2
13	LOCKING TAB	SS 304	1
14	HANDLE	SS 304	1
15	BALL SEATS	PTFE	4
16	STOP SCREW	SS 304	1
17	BOLTS	SS 304	16
18	ANTI-STATIC DEVICE	SS 316	1
19	CAVITY FILLERS	PTFE	4
20	BACK PLUG	PTFE	1
21	BACK PLATE	CF3M	1

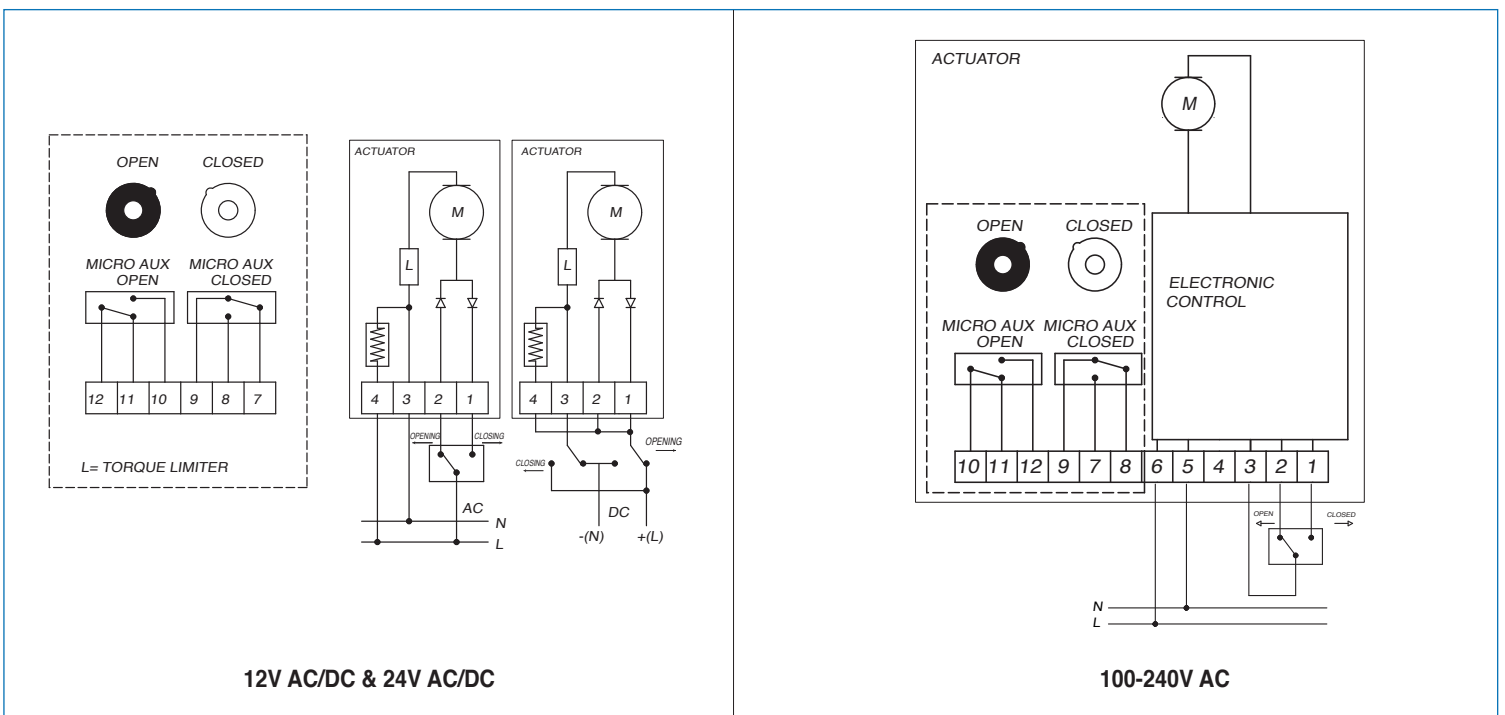
DIMENSIONS

Size	A	B	C	D	E	F	Act.
1/2"	0.59	8.67	7.29	4.84	6.41	4.33	VB015
3/4"	0.79	11.31	9.53	6.18	7.48	4.69	VB030
1"	0.98	13.21	10.98	7.28	8.43	6.00	VB030
1-1/2"	1.5	15.71	12.87	7.28	8.43	8.50	VB060
2"	1.97	16.29	13.13	8.31	9.33	8.98	VB060
2-1/2"	2.44	17.67	13.86	8.31	9.33	12.00	VB190
3"	2.99	18.55	14.42	8.31	9.33	13.00	VB190
4"	3.78	20.81	15.64	8.74	9.72	12.48	VB270



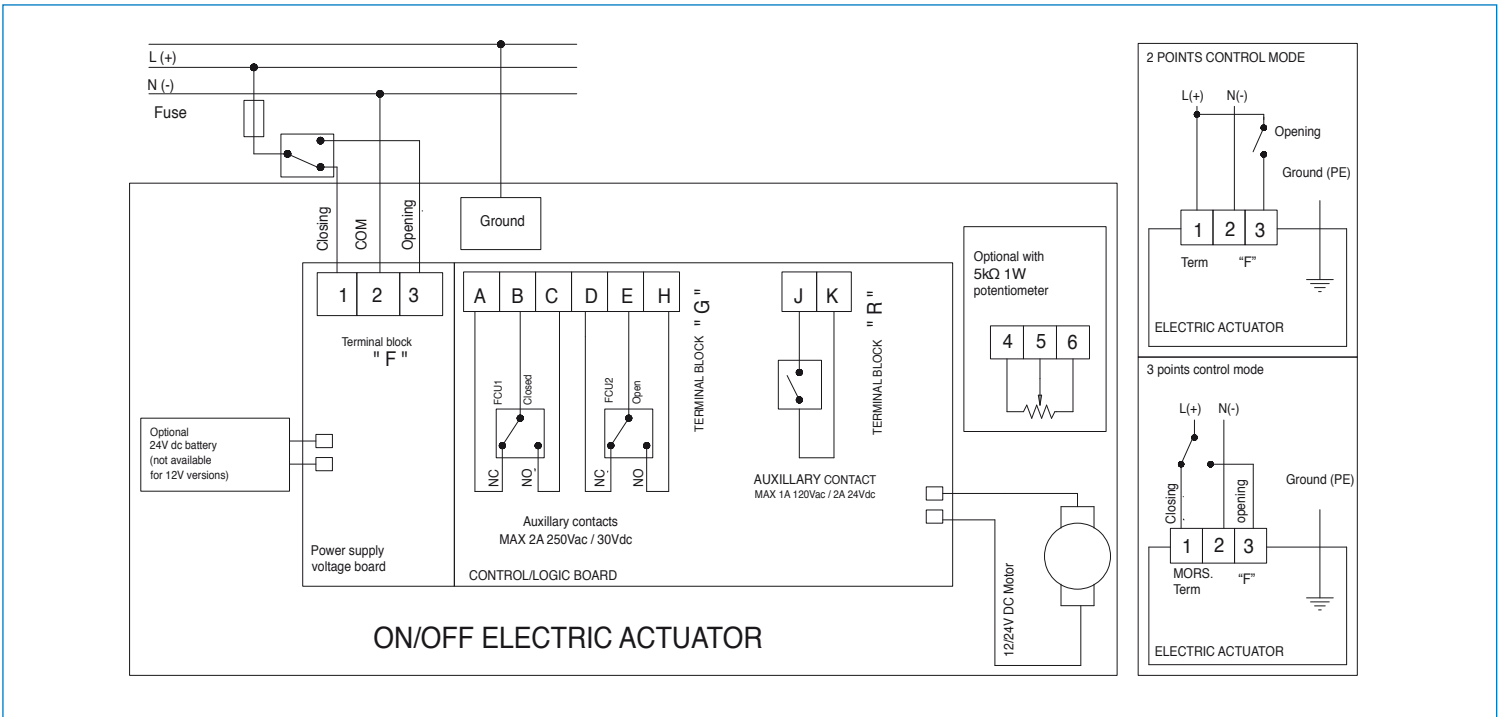
ON/OFF WIRING DIAGRAM - VB015

12V AC/DC, 24V AC/DC & 100-240VAC



ON/OFF WIRING DIAGRAM - VB030 -VB270

12V AC/DC, 24V AC/DC & 100-240VAC



THREE-POSITION WIRING DIAGRAM - VB030 - VB270

12V AC/DC, 24V AC/DC & 100-240VAC

