



JOB NAME:	CONTRACTOR:
JOB LOCATION:	APPROVAL:
ENGINEER:	CONTRACTOR P.O.:
APPROVAL:	REPRESENTATIVE:

E700-0*

L700 GROOVED END EPOXY-COATED DUCTILE IRON BODY, EPDM SEATS WITH VALBIA ELECTRIC ACTUATOR

SIZES 2" TO 10"

*001	12V AC/DC	*002	24V AC/DC	*003	100-240VAC
01	BATTERY BACKUP	*02*	POSITIONER	*04*	BAT. BACKUP W POS

SPECIFICATIONS

The Bonomi E700 series electric actuated package features an ISO 5211 direct mount epoxy coated, ductile iron, EPDM coated disc, grooved end butterfly valve.

The Valbia electric VB series actuator fits directly over the L700 series square stem and ISO 5211 pad. The actuator also is standardly furnished with dual voltages, two extra limit switches, torque limiter, extended manual override, 75% duty cycle motor, in a IP 67, NEMA 4, 4X techno polymer housing.

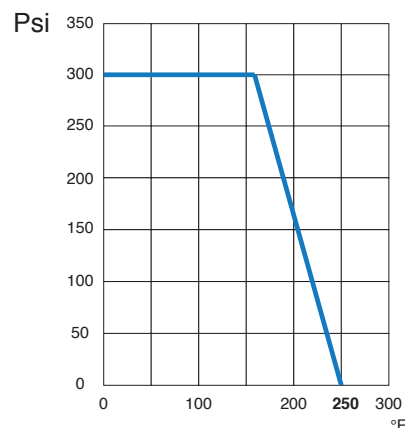
ACTUATOR FEATURES

- Dual Voltages
- CSA, UL approved
- 24V AC/DC and 100-240V AC
- ISO 5211 dual patterns
- 75% Duty Cycle
- High-Strength, Die Cast Aluminum Powder Coated Housing
- Temperature Range -4°F to 131°F
- NEMA 4 Housing
- Two Auxiliary Switches Standard
- Torque limiter standard
- 1/2" Conduit connections

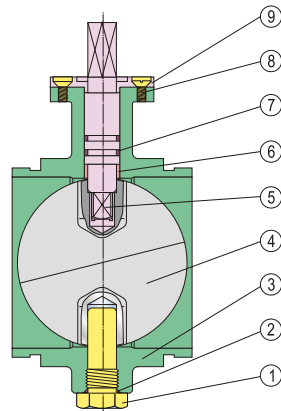
VALVE FEATURES

- Grooved End Epoxy-coated Ductile Iron body
- Sizes 2" to 10"
- ISO 5211 Direct Mount/Square Stem
- Epoxy coated Ductile Iron Wafer body
- Temperature Range: -30°F to 250°F
- EPDM seat
- Face to face MSS-SP-67
- Ends meet ANSI AWWA C606

PRESSURE TEMPERATURE CHART FOR L700

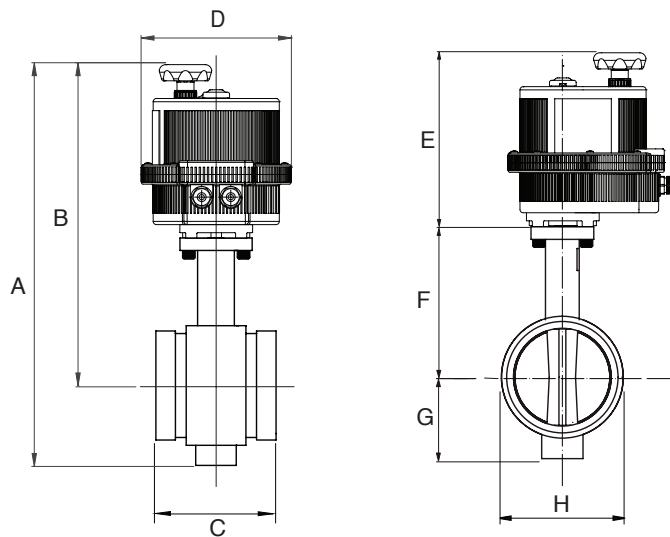


BILL OF MATERIALS FOR L700



N POS	PART NAME	MATERIAL	N PCS
1	LOWER SHAFT	410 STAINLESS STEEL	1
2	SEAT	EPDM (-30°F TO 250°F)	1
3	BODY	CAST IRON / DUCTILE IRON	1
4	DISC	DUCTILE IRON + NBR/EPDM	1
5	UPPER SHAFT	410 STAINLESS STEEL	1
6	BUSHING	P.T.F.E.	1
7	O-RING	EPDM (-30°F TO 250°F)	1
8	SCREW	CARBON STEEL ZINC PLATED	1
9	COVER	CARBON STEEL NICKEL PLATED	1

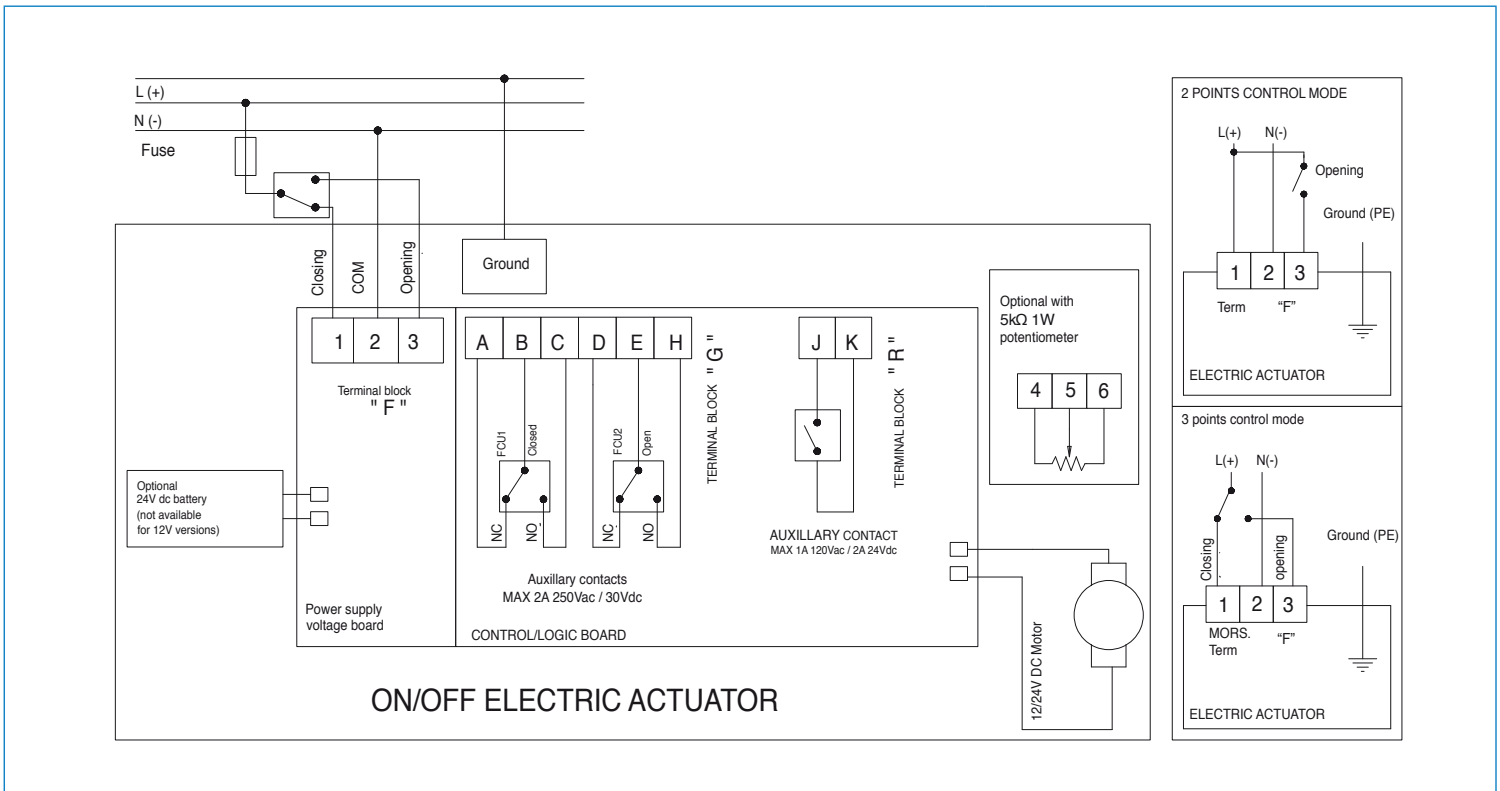
DIMENSIONS



SIZE	A	B	C	D	E	F	G	H	ACT.
2"	14.10	11.34	3.24	6.18	7.40	3.94	2.76	2.37	VB030
2-1/2"	14.52	11.57	3.81	6.18	7.40	4.17	2.95	2.87	VB030
3"	16.12	12.89	3.81	7.28	8.46	4.43	3.23	3.50	VB060
4"	18.39	14.45	4.57	8.31	9.14	5.31	3.94	4.50	VB110
5"	19.68	14.99	5.81	8.31	9.14	5.85	4.69	5.56	VB190
6"	21.19	16.07	5.81	8.31	9.14	6.93	5.12	6.63	VB190
8"	23.60	17.22	5.25	8.74	9.19	8.03	6.38	8.63	VB270
10"	26.04	18.17	6.25	8.74	9.19	8.98	7.87	10.75	VB350

ON/OFF WIRING DIAGRAM

12V AC/DC, 24V AC/DC & 100-240VAC



POSITIONER WIRING DIAGRAM

12V AC/DC, 24V AC/DC & 100-240VAC

