



JOB NAME:	CONTRACTOR:
JOB LOCATION:	APPROVAL:
ENGINEER:	CONTRACTOR P.O.:
APPROVAL:	REPRESENTATIVE:

## 8EPVCBV2

**PVC-BV2 DIRECT MOUNT, 2-WAY PVC, FULL PORT BALL VALVE W ELECTRIC ACTUATOR**

**SIZES 1/2" TO 4"**

## 8ECPVCBV2

**CPVC-BV2 DIRECT MOUNT, 2-WAY CPVC, FULL PORT BALL VALVE W ELECTRIC ACTUATOR**

**SIZES 1/2" TO 4"**

*001	12V AC/DC	*002	24V AC/DC	*003	100-240V AC
*01*	BATTERY BACKUP	*02*	POSITIONER	*04*	BATTERY BACKUP W POSITIONER

### SPECIFICATIONS

The valve body, stem, ball and unions shall be made of PVC compound which shall meet classification 12454 of ASTM D 1784. The ball seats shall be made of PTFE and the O-Ring seals shall be made of EPDM.

The PVC IPS/Socket connectors shall conform to the dimensional standards ASTM D2466 and ASTM D2467, and the CPVC shall conform to the dimensional standard ASTM F439 (2-way only). The NPT PVC connectors shall conform to the dimensional standards of ASTM D2464, ASTM F1498, and ANSI B1.20.1 thread depths.

The electric actuator shall be made from a light weight technopolymer housing, incorporate two auxiliary limit switches, a torque limiter, heater & thermostat, a 75% duty cycle, dual voltage motors, and a NEMA 4 enclosure.

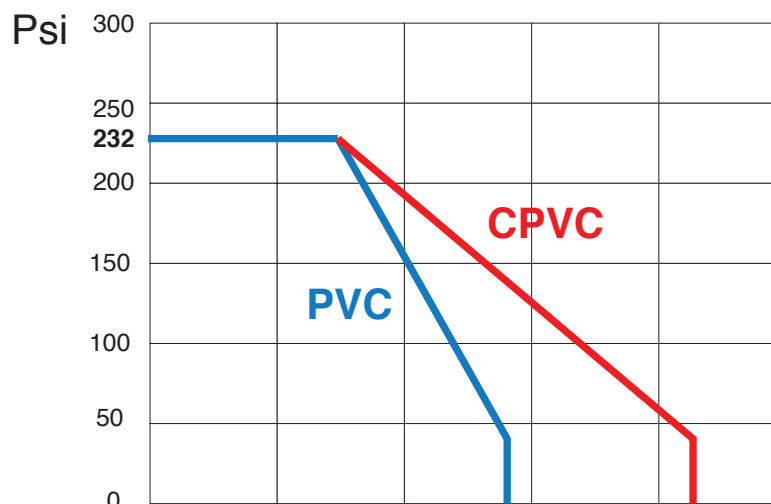
### ACTUATOR FEATURES

- NEMA 4, 4X Housing
- CSA, UL approval
- 12V/24V AC/DC and 100-240V AC Models Available
- ISO 5211 dual patterns
- VB015 -12/24V AC - 50% Duty Cycle
- VB030-VB110 - 12/24V DC and 100-240V AC - 75% Duty Cycle
- High-Strength, Impact Resistant IP67 Technopolymer Housing
- Temperature Range -4°F to 131°F
- PG11 Electrical Connection/Optional 1/2" Conduit

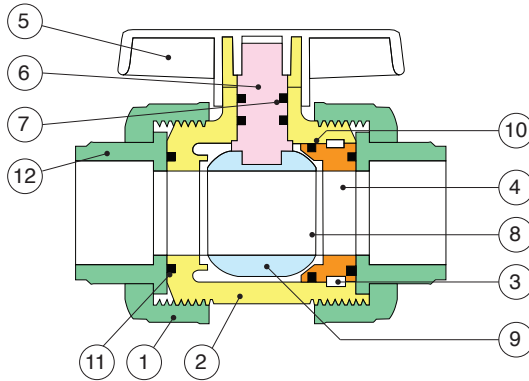
### VALVE FEATURES

- 2-Way Full Port
- Size Range 1/2" Through 4"
- NPT and Socket Ends included up to 2" (NPT ends available at additional cost)
- Socket Ends included in 2-1/2" to 4"
- EPDM Seats and Seals
- Dual Union Nut Locks
- 232 PSI at 73°F
- Viton Seats and Seals Available

### PRESSURE - TEMPERATURE CHART FOR SERIES PVC-BV2/CPVC-BV2



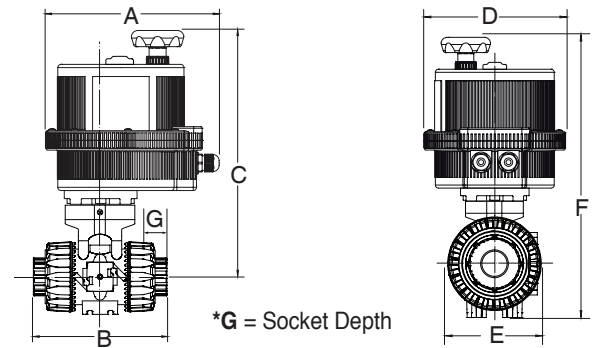
## BILL OF MATERIALS FOR PVC-BV2/CPVC-BV2



N POS	PART NAME	MATERIAL	N PCS
1	UNION NUT	PVC/CPVC/PP	2
2	BODY	PVC/CPVC/PP	1
3	LOCKING STRIP	PVDF	1
4	CARRIER	PVC/CPVC/PP	1
5	HANDLE	ABS	1
6	STEM	PVC/CPVC/PP	1
7	STEM O-RING	EPDM/VITON/Silicone	2
8	BALL SEAT	PTFE	2
9	BALL	PVC/CPVC/PP	1
10	CARRIER O-RING	EPDM/VITON/Silicone	1
11	FACE O-RING	EPDM/VITON/Silicone	2
12	CONNECTOR	PVC/CPVC/PP	2

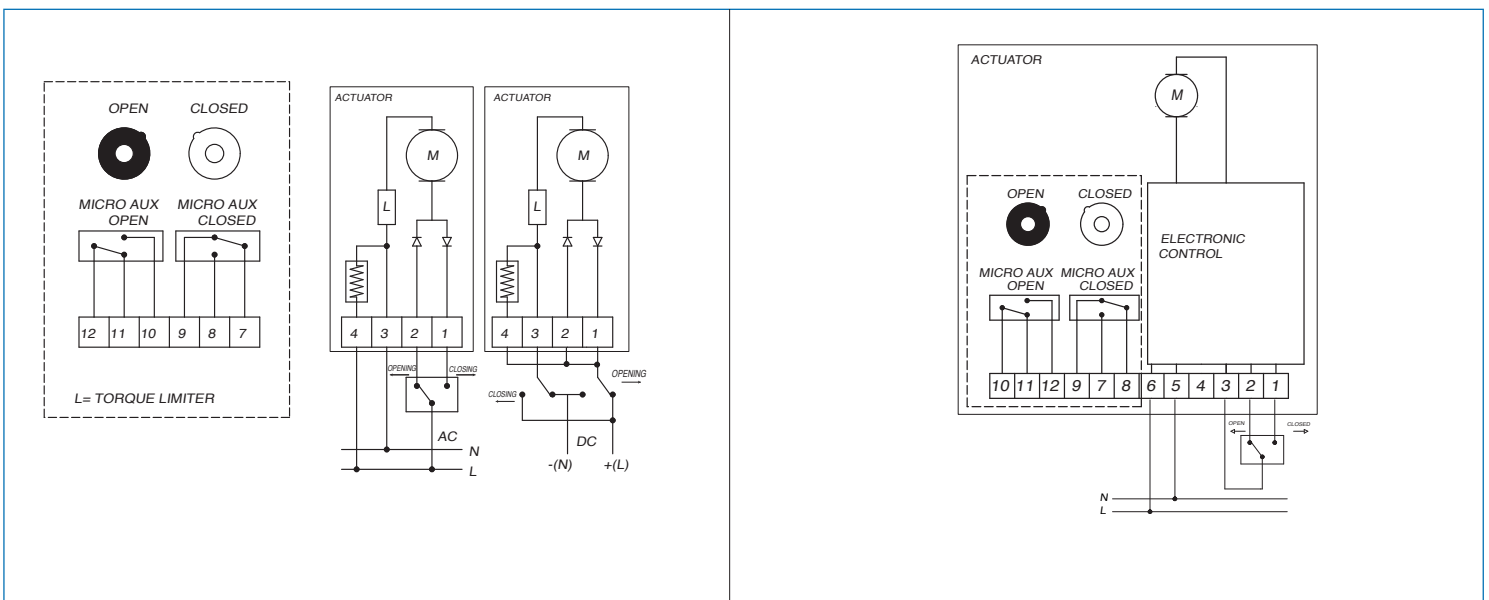
## DIMENSIONS

Size	A	B	C	D	E	F	G	Act
1/2"	6.41	4.61	7.85	4.84	2.13	8.99	0.89	VB015
3/4"	6.41	5.08	8.46	4.84	2.56	9.82	1.00	VB015
1"	6.41	5.59	8.48	4.84	2.87	10.02	1.13	VB015
1-1/4"	6.41	6.38	9.39	4.84	3.39	11.20	1.26	VB015
1-1/2"	6.41	6.77	9.66	4.84	3.86	11.71	1.38	VB015
2"	7.48	7.83	11.89	6.18	4.80	14.33	1.50	VB030
2-1/2"	8.42	9.25	13.15	7.28	6.46	16.58	1.75	VB060
3"	8.42	10.6	13.66	7.28	7.99	17.79	1.89	VB060
4"	9.33	12.13	15.04	8.30	9.37	20.12	2.26	VB110



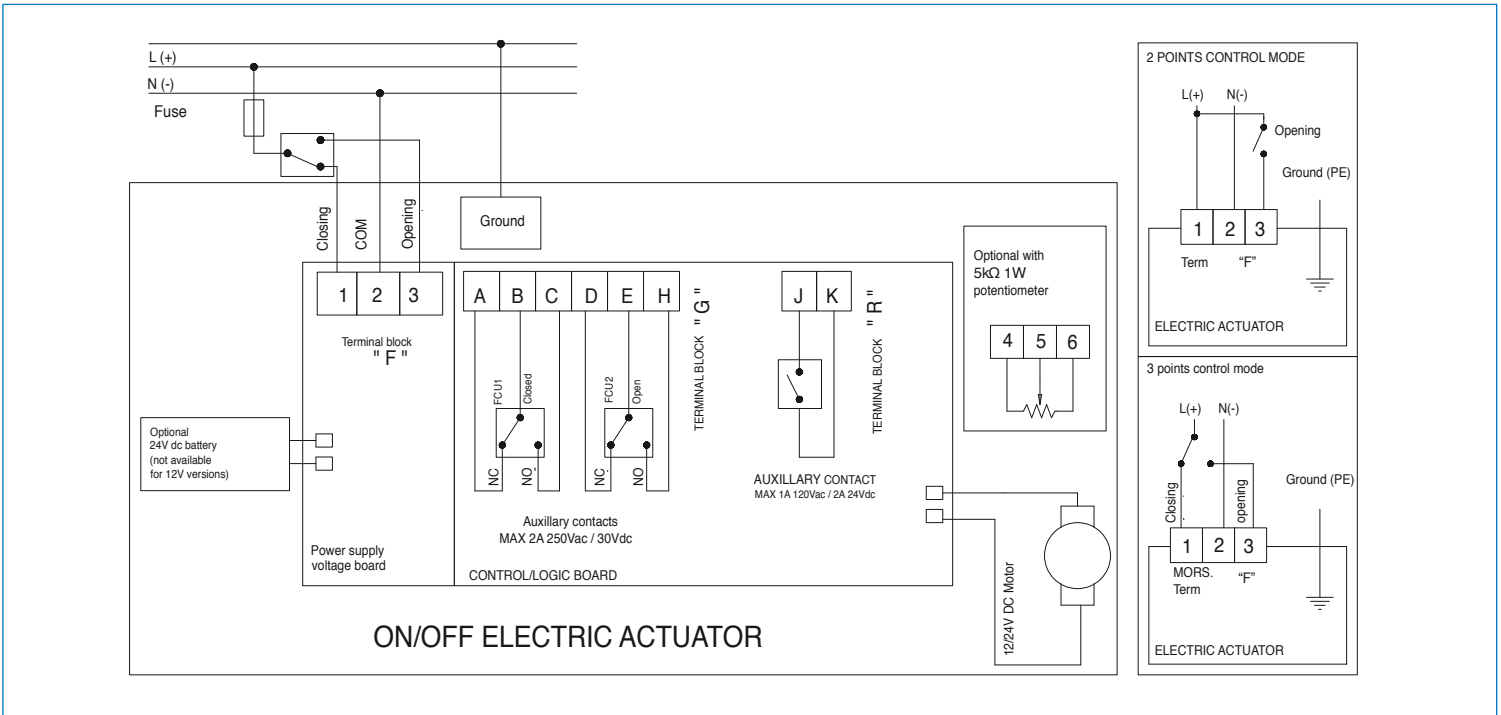
## ON/OFF WIRING DIAGRAM - VB015

12V AC/DC, 24V AC/DC & 100-240VAC



## ON/OFF WIRING DIAGRAM - VB030 - VB110

12V AC/DC, 24V AC/DC & 100-240VAC



## POSITIONER WIRING DIAGRAM - VB030 - VB110

12V AC/DC, 24V AC/DC & 100-240VAC

