



JOB NAME:	CONTRACTOR:
JOB LOCATION:	APPROVAL:
ENGINEER:	CONTRACTOR P.O.:
APPROVAL:	REPRESENTATIVE:

**8E8730-00\* - 8E8731-00\* - 8E8732-00\***  
**FNPT THREADED                      SOCKET WELD                      BUTT WELD**

**730LL DIRECT MOUNT, 3-PC, 2-WAY STAINLESS STEEL, CLASS 900 FULL PORT BALL VALVE IN NPT, SW OR BUTT WELD W/VALBIA ELECTRIC ACTUATOR SIZES 1/4" TO 1/2"**

\*002 - 24V AC/DC    \*003 - 100-240V AC

**SPECIFICATIONS**

The "Mini" 8E8730/8E8731/8E8732 series is ideally suited for applications where space and reliability is a must. This compact unit features a hardened, dent-resistant polymer electric motor and an 30" pigtail wire for quick hook-up, in either 2-point or 3-point control mode. These packages feature a stainless steel high performance three-piece full port, encapsulated bolt style, Class 900 [1/4"-1/2"]. The valve also incorporates an ISO 5211 direct mount pad with square stem. Further, the valve has high temperature TFM-4215 seats, conforms to ANSI 16.34, ANSI B1.20.1 Thread depths, NACE MRO 175, and an API 607 6th edition fire safe option. The IP65 housing is resistant to dusty environments and to areas where water may be sprayed. This series, due to its lightweight design, can be installed in either vertical or horizontal position. When the valve is in the open position, an LED light will come on to sign "OPEN".

**ACTUATOR FEATURES**

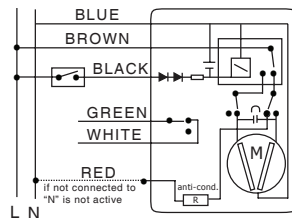
- 24V AC/DC & 100-240V AC Models Available.
- 120V AC - 75% Duty Cycle w/ 8 sec. cycle time.
- 24V AC/DC - 50% Duty Cycle w/ 6.5 sec. cycle time
- High-Strength, Impact Resistant IP65 Technopolymer Housing.
- One auxiliary SPDT contact on closed.
- Temperature Range 23°F to 131°F
- ISO 5211, F03/F05 base w/ 11mm female drive.
- Anti-condensation heater
- Quiet operation w/ LED light in open position.
- Output Torque 89 in/Lbs.
- 30" pigtail for quick installation
- Absorbed current for 120V AC is 4A
- Absorbed current for 24V AC/DC is 6A

**VALVE FEATURES**

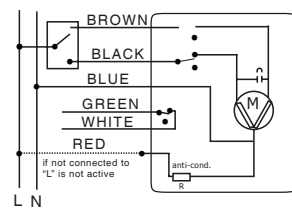
- 3-piece CF8M body
- Class 900 sizes 1/4" to 1/2"
- Stainless steel-2160 psi (1/4" to 1/2")
- ISO 5211 mounting pad w/square stem
- TFM-4215 ball seats
- Standard latch locking handle
- Conforms to ANSI 16.34, ANSI B1.20.1 thread depths, NACE MR0175
- Fire Safe to API 607-6th edition
- Grounded ball and stem
- Standard 316 stainless steel ball and stem
- Temperature range: -50° F to 550° F
- Working steam pressure to 250 psi

**WIRING MODES**

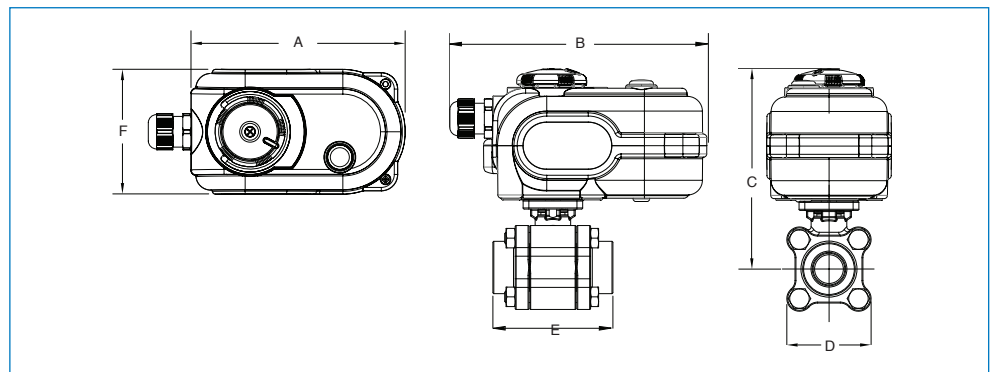
ACTUATORS CAN BE WIRED IN EITHER OF THE FOLLOWING:



**2-Point Control Mode**



**3-Point Control Mode**



Size	A	B	C	D	E	F
1/4"	5.11	6.14	4.96	1.50	2.61	2.95
3/8"	5.11	6.14	4.96	1.50	2.61	2.95
1/2"	5.11	6.14	5.04	1.60	2.76	2.95