



<b>JOB NAME:</b>	<b>CONTRACTOR:</b>
<b>JOB LOCATION:</b>	<b>APPROVAL:</b>
<b>ENGINEER:</b>	<b>CONTRACTOR P.O.:</b>
<b>APPROVAL:</b>	<b>REPRESENTATIVE:</b>

## 8E766001-00 \*

**766001 2-WAY CARBON STEEL, ANSI 150 FLANGED, SPLIT BODY STYLE, DIRECT MOUNT, FULL PORT BALL VALVE WITH VALBIA ELECTRIC ACTUATOR**

**SIZES 1" TO 4"**

<b>*001</b> 12V AC/DC	<b>*002</b> 24V AC/DC	<b>*003</b> 100-240V AC
<b>*01*</b> BATTERY BACKUP	<b>*02*</b> POSITIONER	<b>*04*</b> BATTERY BACKUP W POSITIONER

### SPECIFICATIONS

The 8E766001 series electric actuator assembled package features the 766001 series Class 150, full port, carbon steel split body, ISO 5211 direct mount flanged ball valve. This valve is designed to ANSI 16.5, ANSI 16.10, and ANSI 16.34. It is also certified to API 607, 6th edition, API 6FA, and meets NACE MR 0175 and NACE MR 0103.

The Valbia VBM series metal actuator housing is made from die cast aluminum, and standardly features dual motors, two extra limit switches, a heater and thermostat, a torque limiter, dual ISO patterns, female star drive, a high-profile dome indicator, 1/2" conduit connections, and a 75% duty cycle motor. The actuator is NEMA 4 rated, and options include positioning boards, battery backups, or a combination of the two.

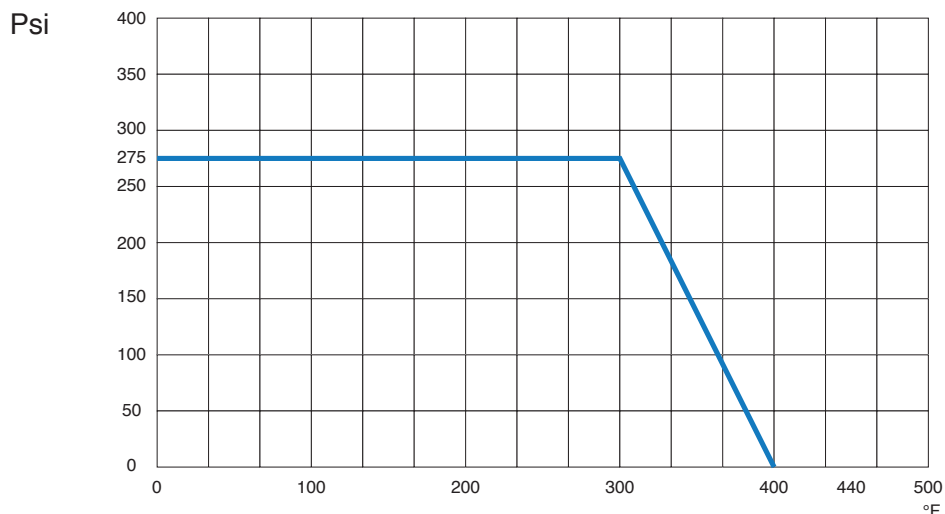
### ACTUATOR FEATURES

- NEMA 4, 4X IP67 Housing
- 12V/24V AC/DC and 100-240V AC Models Available
- ISO 5211 dual patterns
- 12/24V DC and 100-240V AC - 75% Duty Cycle
- High-Strength, Impact Resistant IP67 Technopolymer Housing
- Heater & Thermostat
- Torque Limiter
- Temperature Range -4°F to 131°F
- PG11 Electrical Connection/Optional 1/2" Conduit

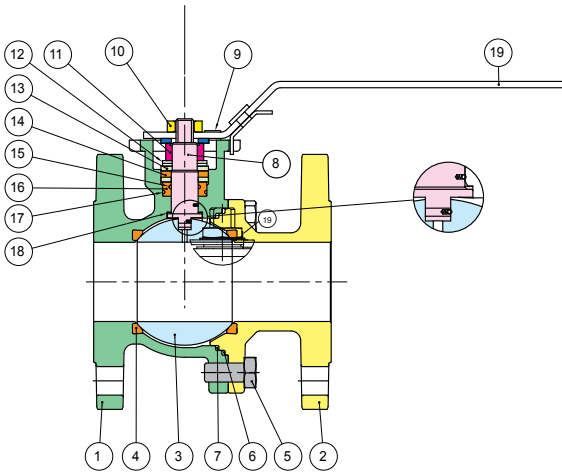
### VALVE FEATURES

- Carbon Steel, ANSI class 150 flanged
- Direct mount ISO 5211/square stem
- Full port, sizes 1" to 4"
- Temperature range -4°F to 400°F
- Blow-out proof stem, adjustable stem packing
- P.T.F.E. seats, packing and thrust washer and FKM Viton O-rings
- Fire safe certified to API 607 6th edition
- 100% tested
- ANSI B16.5, B16.10, B16.34 design
- Antistatic device

### PRESSURE - TEMPERATURE CHART FOR SERIES 766001



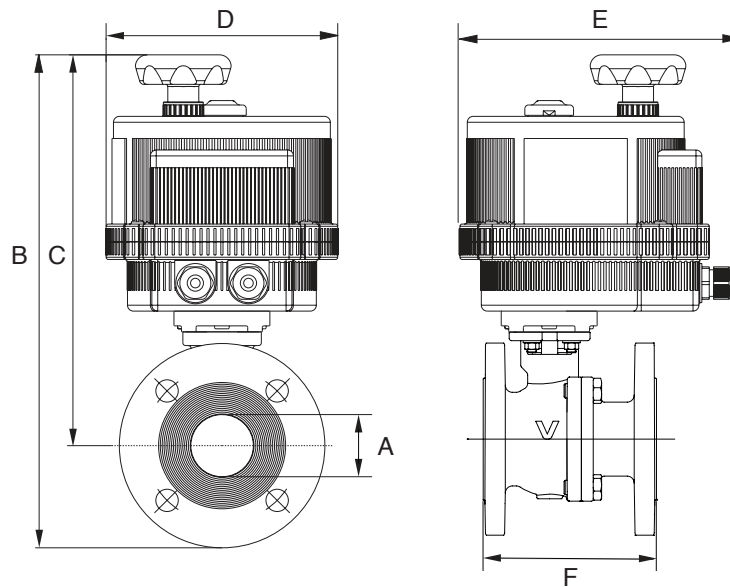
## BILL OF MATERIALS FOR 766001



N POS	PART NAME	MATERIAL	N PCS
1	BODY	A216-WCB	1
2	END CONNECTION	A216-WCB	1
3	BALL	A479-304/A351 CF8M	1
4	BALL SEATS	P.T.F.E.	2
5	SCREW	STAINLESS STEEL	4-8
6	BODY SEAL	GRAPHOIL	1
7	BODY SEAL	P.T.F.E.	1
8	STEM	A479-304	1
9	SCREW	CARBON STEEL	1
10	NUT	CARBON STEEL	1

N POS	PART NAME	MATERIAL	N PCS
11	NUT	CARBON STEEL	1
12	SPRING WASHER	CARBON STEEL	2
13	BUSHING	A479-304	2
14	STEM SEAL	GRAPHOIL	1
15	O-RING	FKM (VITON®)	1
16	STEM SEAL	GRAPHOIL	1
17	O-RING	FKM (VITON®)	1
18	THRUST WASHER	P.T.F.E.	1
19	HANDLE	STAINLESS STEEL	1

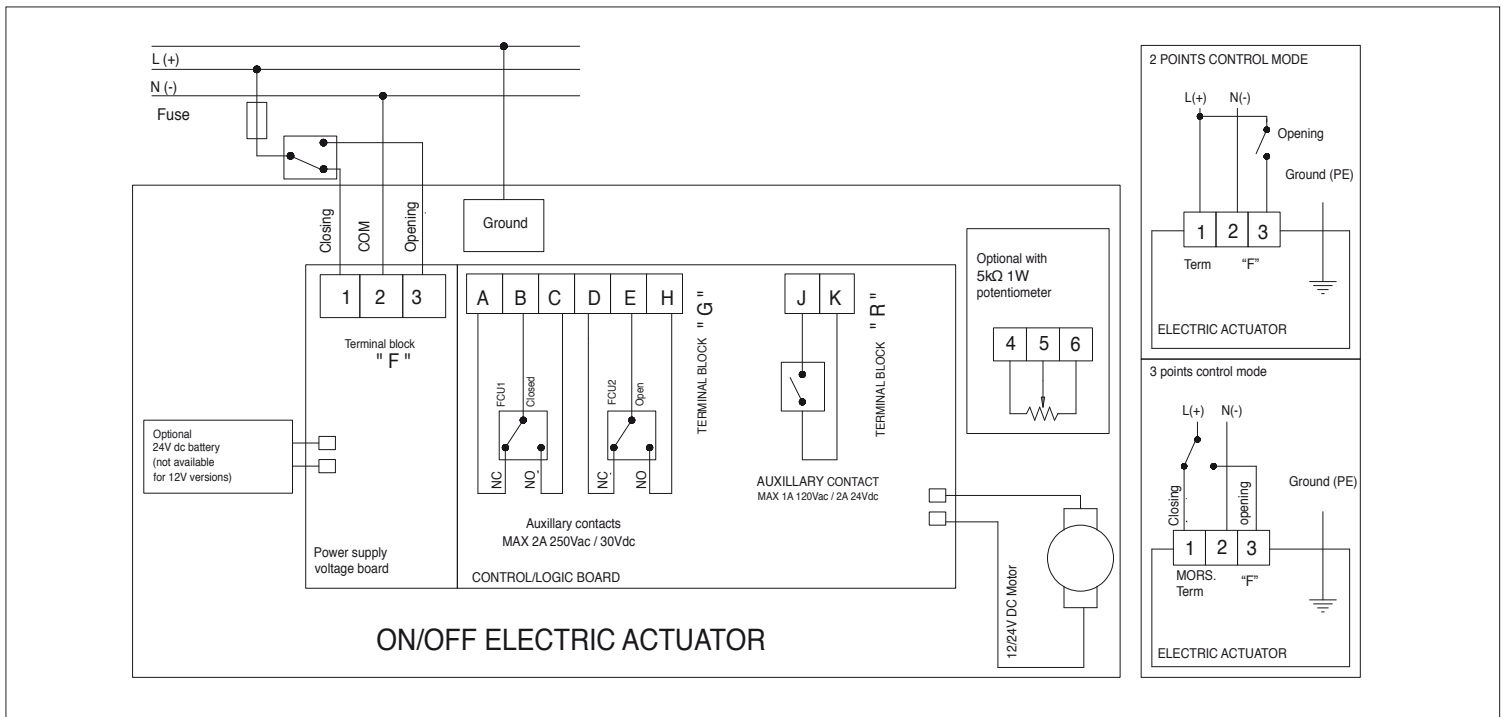
## DIMENSIONS



Size	1"	1-1/2"	2"	3"	4"
<b>A</b>	1.00	1.50	2.00	3.00	4.00
<b>B</b>	12.87	15.59	16.43	20.06	21.32
<b>C</b>	10.12	11.81	12.19	14.40	14.97
<b>D</b>	6.18	7.28	7.28	8.30	8.30
<b>E</b>	7.51	8.46	8.46	9.33	9.33
<b>F</b>	5.00	6.50	7.01	7.99	9.02
<b>Act.</b>	VB030	VB060	VB060	VB110	VB190

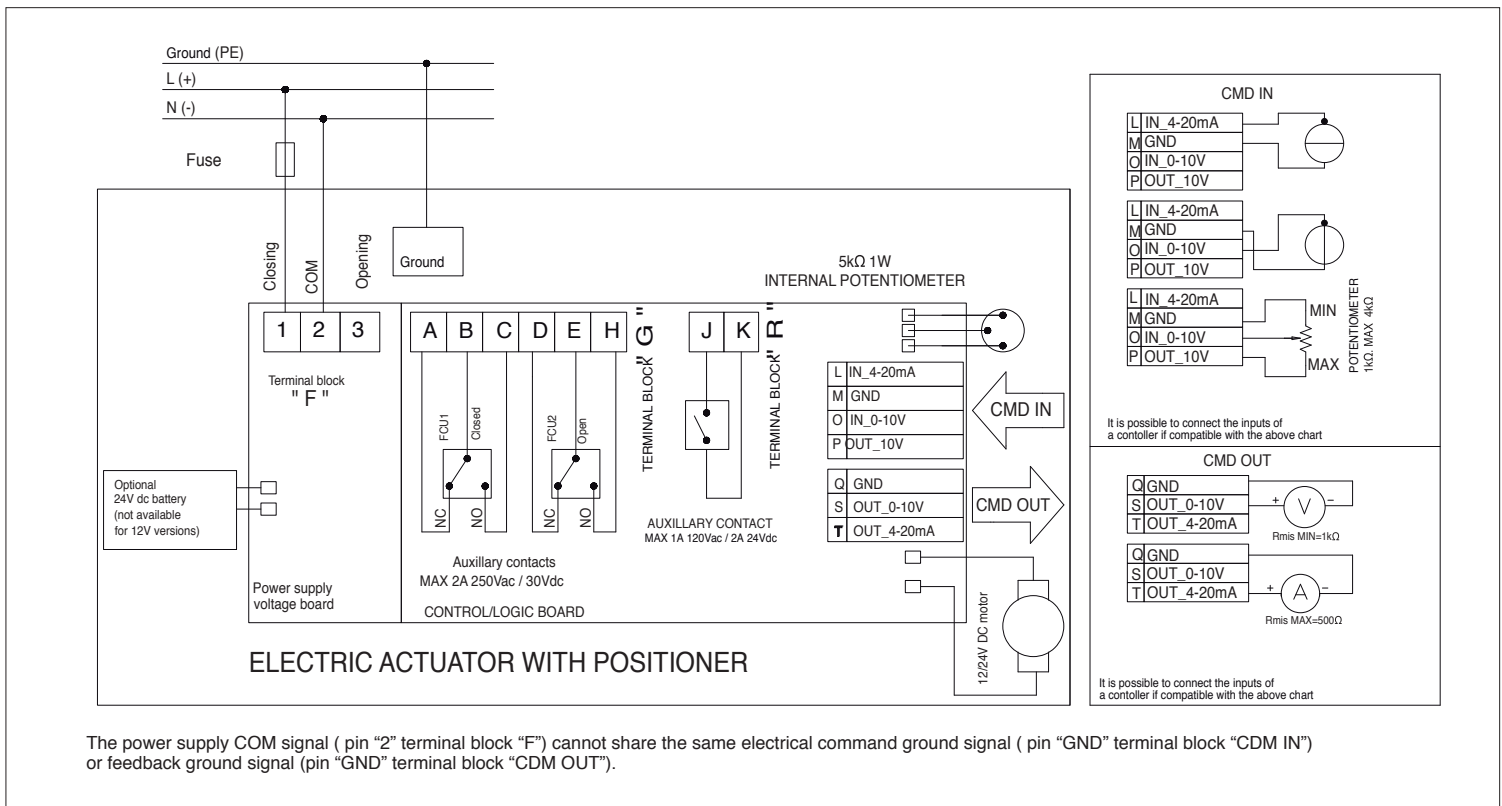
# ON/OFF WIRING DIAGRAM - VB030 -VB190

12V AC/DC, 24V AC/DC & 100-240VAC



# POSITIONER WIRING DIAGRAM - VB030 -VB190

12V AC/DC, 24V AC/DC & 100-240VAC



The power supply COM signal ( pin "2" terminal block "F") cannot share the same electrical command ground signal ( pin "GND" terminal block "CDM IN") or feedback ground signal ( pin "GND" terminal block "CDM OUT").