



JOB NAME:	CONTRACTOR:
JOB LOCATION:	APPROVAL:
ENGINEER:	CONTRACTOR P.O.:
APPROVAL:	REPRESENTATIVE:

8E723101-00*

723101 2-WAY STAINLESS STEEL, ANSI 150 FLANGED, DIRECT MOUNT WAFER STYLE, FULL PORT BALL VALVE WITH VALBIA PLASTIC ELECTRIC ACTUATOR

SIZES 1" TO 4"

*001 12V AC/DC	*002 24V AC/DC	*003 100-240V AC
01 BATTERY BACKUP	*02* POSITIONER	*04* BATTERY BACKUP W POSITIONER

SPECIFICATIONS

The 8E723101 electric actuated package features the ANSI Class 150 full port stainless steel space saving, 723101 series direct mount, low torque, wafer style ball valve. This ball valve series feature a double O-ring stem seal, grounded ball & stem, and incorporates an ISO 5211 mounting pad and square stem. Sizes are 1"-4".

The Valbia VB series actuator housing is made from a high impact resistant technopolymer, and standardly features dual motors, two extra limit switches, a heater & thermostat, a torque limiter, dual ISO patterns, female star drive, position indicator, PG11 connections, and a 75% duty cycle motor. The actuator is also NEMA 4,4X rated. Options include positioning boards, battery backups, or a combination of the two.

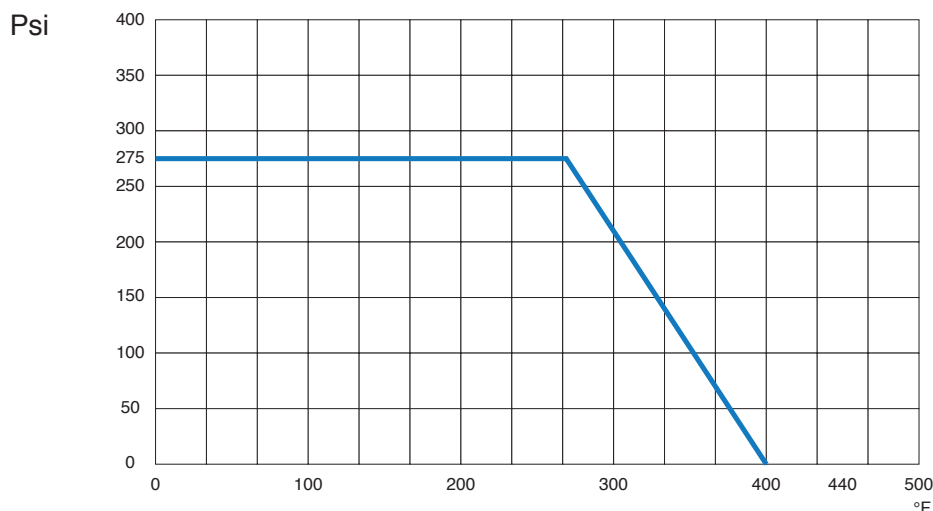
ACTUATOR FEATURES

- NEMA 4, 4X IP67 Housing
- 12V/24V AC/DC and 100-240V AC Models Available
- ISO 5211 dual patterns
- VB030-VB110 - 12/24V DC and 100-240V AC - 75% Duty Cycle
- High-Strength, Impact Resistant IP67 Technopolymer Housing
- Heater & Thermostat
- Torque Limiter
- Temperature Range -4°F to 131°F
- PG11 Electrical Connection/Optional 1/2" Conduit

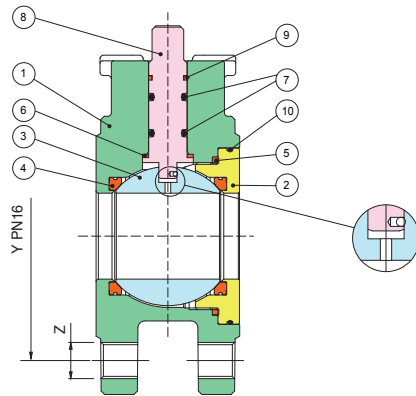
VALVE FEATURES

- Direct mount, Stainless steel ANSI class 150 Wafer-style flanged ball valve
- Full port, sizes 1" to 4"
- Temperature range -4°F to +366°F
- Anti-static Stem Device
- Dual Stem Seal O-rings FKM (Viton)
- TFM Stem Seal
- ISO 5211 mounting pad/square stem
- Low Torque Design
- TFM Encapsulated Flex Seat Design
- 17-4 PH stem

PRESSURE - TEMPERATURE CHART FOR SERIES 723101

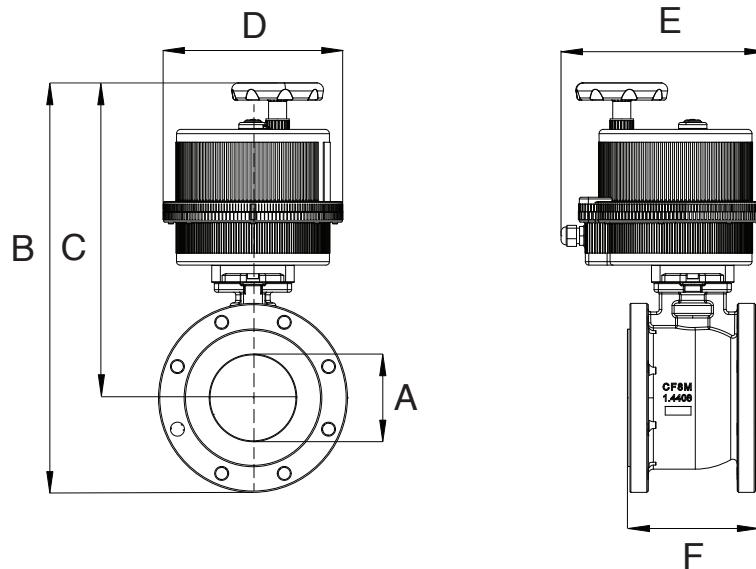


BILL OF MATERIALS FOR 723101



N POS	PART NAME	MATERIAL	N PCS
1	BODY	A351-CF8M	1
2	END CONNECTION	A479-Tp316/A182-F316	1
3	BALL	A351-CF8M	1
4	BALL SEAL	TFM®	2
5	BODY SEAT	P.T.F.E.	1
6	THRUST WASHER	TFM®	1
7	O-RING	FKM (Viton®)	2
8	STEM	A564-Tp630 H1150D (17-4-PH)	1
9	STEM SEAL	P.T.F.E.	1
10	O-RING	FKM (Viton®)	1

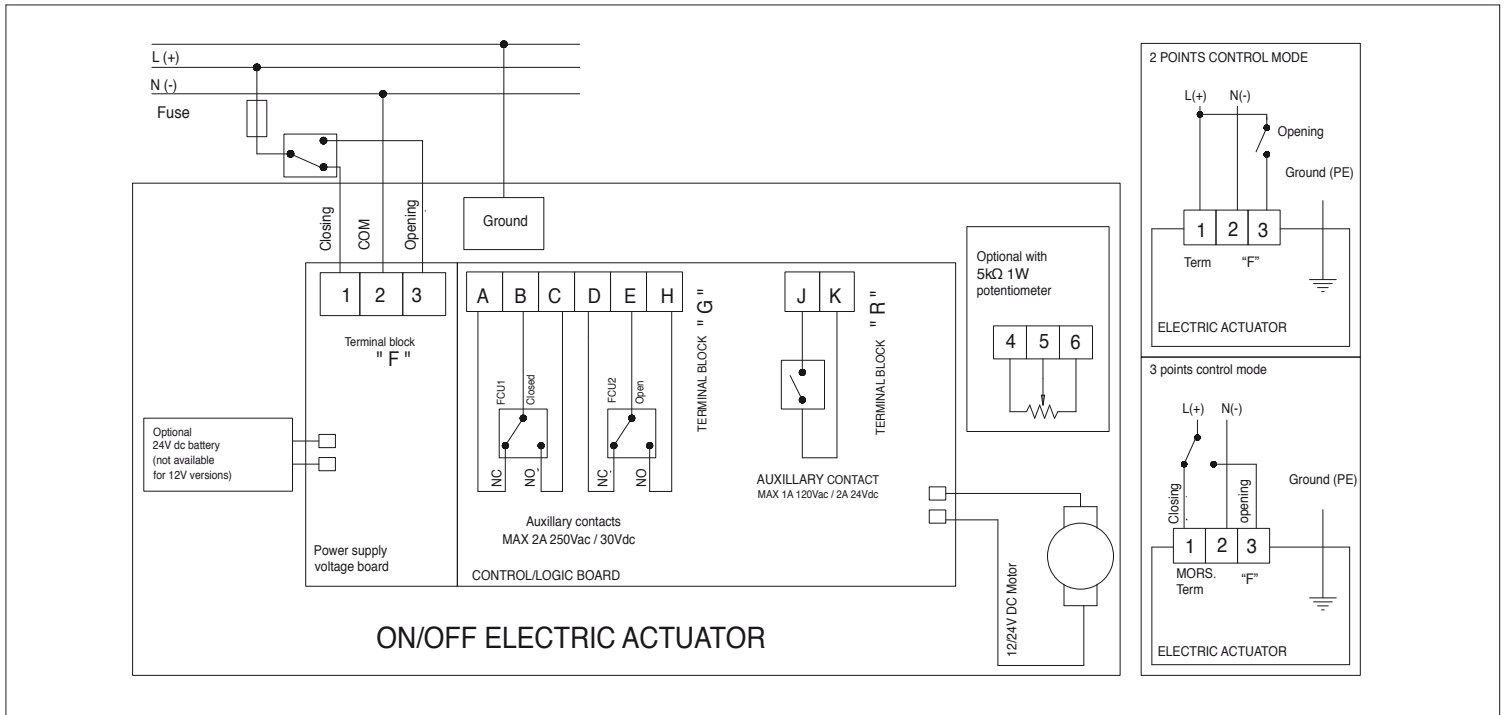
DIMENSIONS



Size	A	B	C	D	E	F	G	ACT.
1"	1.00	12.06	9.73	6.18	7.51	1.89	4.33	VB030
1-1/4"	1.25	13.08	10.24	6.18	7.51	2.13	5.11	VB030
1-1/2"	1.50	13.70	10.55	6.18	7.51	2.50	5.51	VB030
2"	2.00	14.34	10.87	6.18	7.51	3.23	5.90	VB030
2-1/2"	2.50	17.12	12.79	7.28	8.46	4.06	6.88	VB060
3"	3.00	17.90	13.18	7.28	8.46	4.80	7.48	VB060
4"	4.00	19.72	14.43	7.28	8.46	5.98	8.66	VB110

ON/OFF WIRING DIAGRAM - VB030 -VB190

12V AC/DC, 24V AC/DC & 100-240VAC



POSITIONER WIRING DIAGRAM - VB030 -VB190

12V AC/DC, 24V AC/DC & 100-240VAC

