



JOB NAME:	CONTRACTOR:
JOB LOCATION:	APPROVAL:
ENGINEER:	CONTRACTOR P.O.:
APPROVAL:	REPRESENTATIVE:

**8E710190-0\* - 8E710061-0\* - 8E710062-0\***  
**FNPT THREADED                      SOCKET WELD                      BUTT WELD**

**710190 BRACKET MOUNTED, 3-PC, 2-WAY STAINLESS STEEL, FULL PORT BALL VALVE FOR STEAM IN NPT, SOCKET WELD OR BUTT WELD W/VALBIA ELECTRIC ACTUATOR**  
**SIZES 1/4" TO 4"**

*001	12V AC/DC	*002	24V AC/DC	*003	100-240V AC
*01*	BATTERY BACKUP	*02*	POSITIONER	*04*	BATTERY BACKUP W POSITIONER

### SPECIFICATIONS

The Bonomi 8E710190/8E710061/8E710062 series feature 25% carbon filled PTFE seats, a Stainless steel ball with relief hole for thermal cycling protection, and pressure equalizing seats. This valve can withstand up to a 250 psi working steam pressure. The valve also meets NACE MR 0175 and MR0103. The valve is assembled with a bracket to help dissipate the heat from the actuator.

The actuator is a Valbia VB series, incorporating standard dual voltages, 2 extra limit switches, a heater & thermostat, torque limiter, ISO dual patterns, square drive, position indicator, PG11 connections, and a 75% duty cycle. Optional equipment includes positioning boards, and battery back-up fail safe models. A bracket connects the valve to the actuator to prevent the expansion of high heat to the actuator.

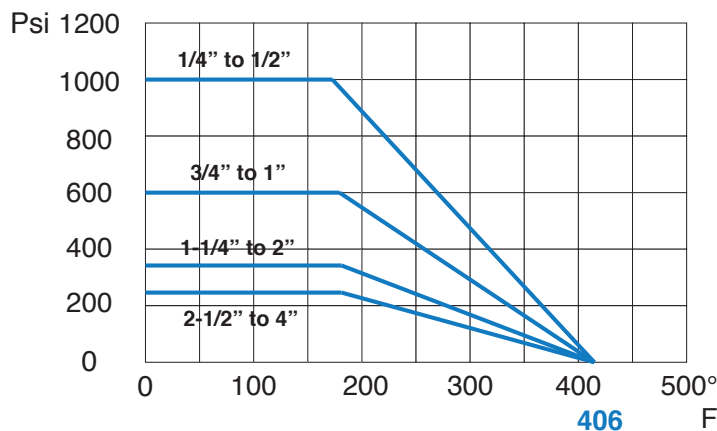
### ACTUATOR FEATURES

- NEMA 4, 4X Housing
- CSA, UL approved
- 12V/24V AC/DC and 100-240V AC Models Available
- ISO 5211 dual patterns
- VB015 -12/24V AC - 50% Duty Cycle
- VB030-VB060 - 12/24V DC and 100-240V AC - 75% Duty Cycle
- High-Strength, Impact Resistant IP67 Technopolymer Housing
- Temperature Range -4°F to 131°F
- PG11 Electrical Connection/Optional 1/2" conduit connection

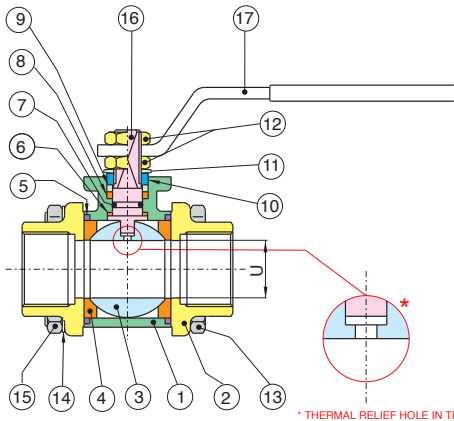
### VALVE FEATURES

- 3-piece CF8M body
- Full port, sizes 1/4" to 4"
- Blow out proof stem, adjustable stem packing.
- Thermal relief hole in the stem slot
- ISO 5211 mounting pad with double "D" stem
- 100% electronically tested in the open and closed position at 80 psi.
- TUV T.A. Luft approved.
- Steam pressure to 250 psi.
- Temperature range: -4° F to 406° F.
- 25% carbon filled P.T.F.E ball seats.

### PRESSURE - TEMPERATURE CHART FOR SERIES 710190/710061/710062



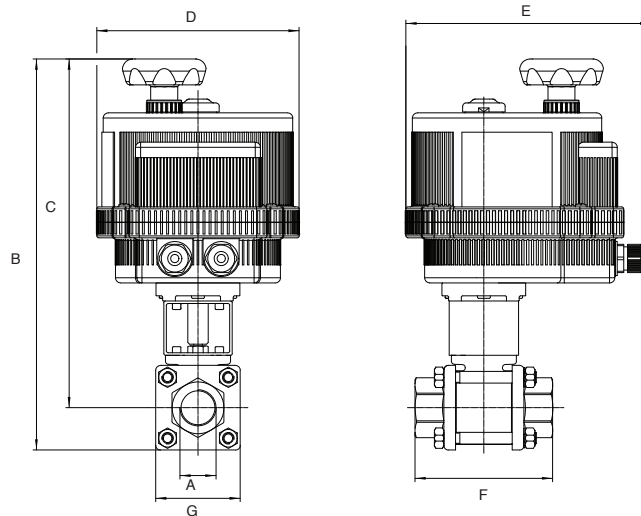
## BILL OF MATERIALS FOR 710190/710061/710062



N POS	PART NAME	MATERIAL	N PCS
1	BODY	CF8M	1
2	END CAP	CF8M	2
3	BALL	AISI 316-CF8M	1
4	BALL SEAT	P.T.F.E.	2
5	SEAL	P.T.F.E.	2
6	STEM SEAL	R.T.F.E.	1
7	O-RING	VITON	1
8	STEM SEAL	P.T.F.E.	1
9	PACKING GLAND	STEEL	1

N POS	PART NAME	MATERIAL	N PCS
10	END STOP	AISI 430 (1/4" - 2")	2
		STEEL (2-1/2" - 4")	1
11	SPRING WASHER	STEEL (2-1/2" - 4")	2
12	NUT	STEEL	2
13	BOLT	STEEL (1/4" - 2")	4
		STEEL (2-1/2" - 4")	6
14	WASHER	STEEL (1/4" - 2")	4
		STEEL (2-1/2" - 4")	6
15	NUT	STEEL (1/4" - 2")	4
		STEEL (2-1/2" - 4")	6
16	STEM	AISI 304	1
17	HANDLE	STEEL	1

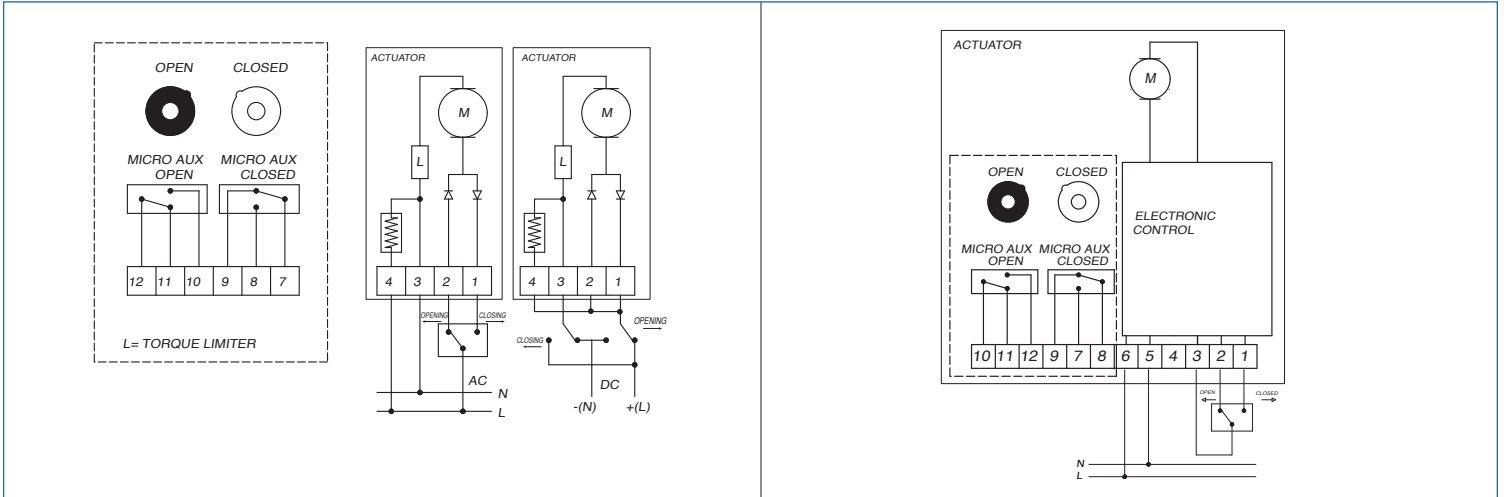
## DIMENSIONS



Size	A	B	C	D	E	F	G	ACT.
1/4"	.250	8.07	7.40	4.84	6.46	2.24	1.30	VB015
3/8"	.375	8.07	7.40	4.84	6.46	2.24	1.30	VB015
1/2"	.500	8.47	7.72	4.84	6.46	2.56	1.50	VB015
3/4"	.750	9.92	9.02	4.84	6.46	2.99	1.85	VB015
1"	1.00	12.1	10.9	6.18	7.52	3.62	2.28	VB030
1-1/4"	1.25	12.4	11.1	6.18	7.52	4.21	2.64	VB030
1-1/2"	1.50	14.4	12.9	7.28	8.47	4.57	3.00	VB060
2"	2.00	15.0	13.2	7.28	8.47	5.35	3.54	VB060
2-1/2"	2.50	17.0	14.4	8.31	9.33	6.06	5.28	VB110
3"	3.00	18.0	14.8	8.31	9.33	7.09	6.39	VB110
4"	4.00	20.0	16.3	8.31	9.33	8.54	7.48	VB190

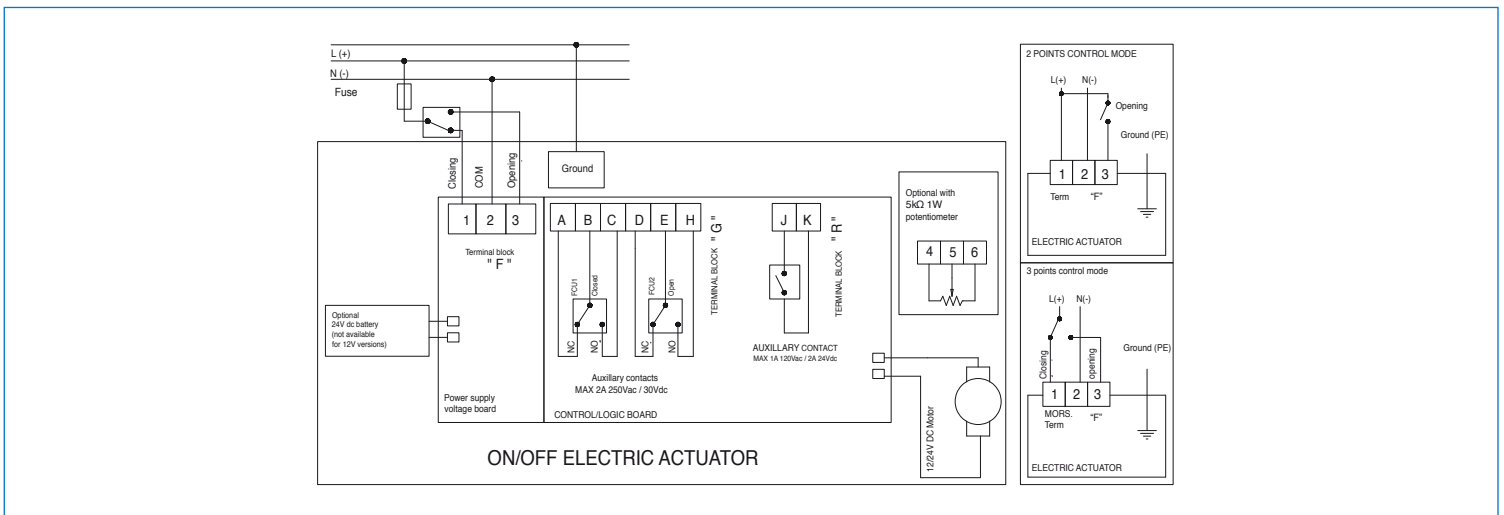
## ON/OFF WIRING DIAGRAM - VB015

12V AC/DC, 24V AC/DC & 100-240VAC



## ON/OFF WIRING DIAGRAM - VB030 - VB190

12V AC/DC, 24V AC/DC & 100-240VAC



## POSITIONER WIRING DIAGRAM - VB030 - VB190

12V AC/DC, 24V AC/DC & 100-240VAC

