



JOB NAME:	CONTRACTOR:
JOB LOCATION:	APPROVAL:
ENGINEER:	CONTRACTOR P.O.:
APPROVAL:	REPRESENTATIVE:

## 8E3400

**3400 3-WAY CARBON STEEL, L-PORT FNPT THREADED DIRECT MOUNT BALL VALVE WITH VALBIA ELECTRIC ACTUATOR**

**SIZES 3/8" TO 1"**

## 8E3500

**3500 3-WAY CARBON STEEL, L-PORT SAE THREADED DIRECT MOUNT BALL VALVE WITH VALBIA ELECTRIC ACTUATOR**

**SIZES 9/16-18 SAE TO 1-5/16-12 SAE**

*001	12V AC/DC	*002	24V AC/DC	*003	100-240V AC
*01*	BATTERY BACKUP	*02*	POSITIONER	*04*	BATTERY BACKUP W POSITIONER

### SPECIFICATIONS

The Bonomi 8E3400 series electric actuated package feature an NPT high pressure 3-way L port carbon steel hydraulic ball valve, and the 8E3500 series has all the same characteristics, however, incorporates SAE end connections.

The Valbia electric VB series actuator is standardly furnished with dual voltages, two extra limit switches, torque limiter, extended manual override, 75% duty cycle motor, in a IP 67, NEMA 4, 4X techno polymer housing

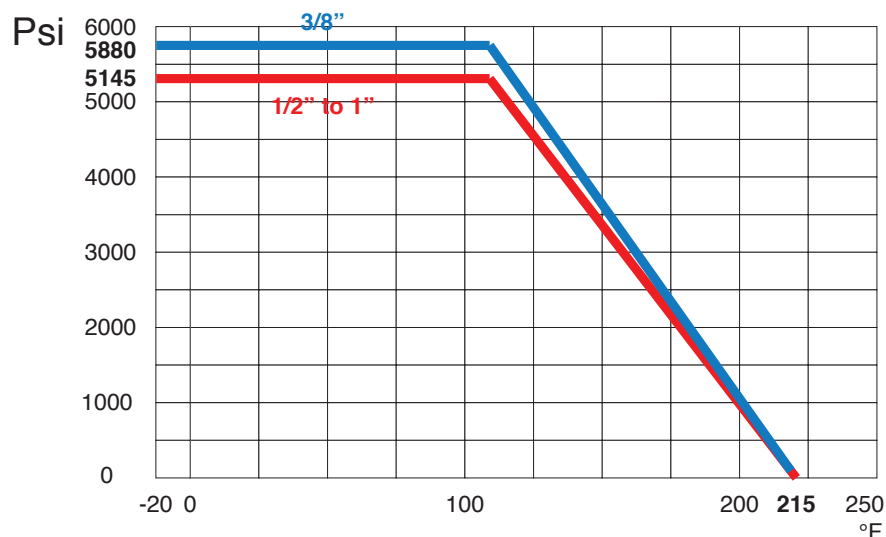
### ACTUATOR FEATURES

- NEMA 4, 4X Housing
- 12V/24V AC/DC and 100-240V AC Models Available
- ISO 5211 dual patterns
- VB015 -12/24V AC - 50% Duty Cycle
- VB030-VB110 - 12/24V DC and 100-240V AC - 75% Duty Cycle
- High-Strength, Impact Resistant IP67 Technopolymer Housing
- Temperature Range -4°F to 131°F
- PG11 Electrical Connection/Optional 1/2" Conduit

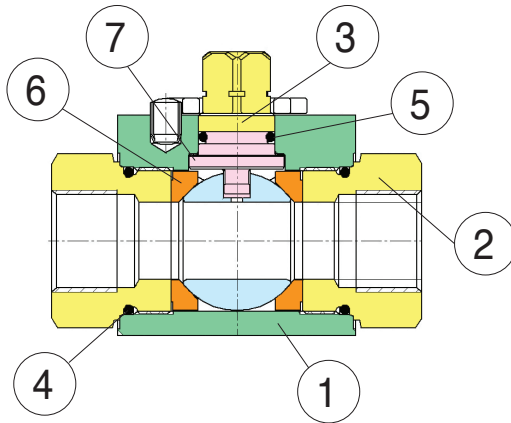
### VALVE FEATURES

- 3-way Carbon Steel Full Port Diverter Ball Valve
- Available in NPT and SAE
- Full port, sizes 3/8" to 1"
- Blow out proof stem
- Pressure rating 5880 psi (3/8"), 5145 psi (1/2 to 1")
- Temperature range -20°F to 215°F

### PRESSURE - TEMPERATURE CHART FOR SERIES 3400/3500

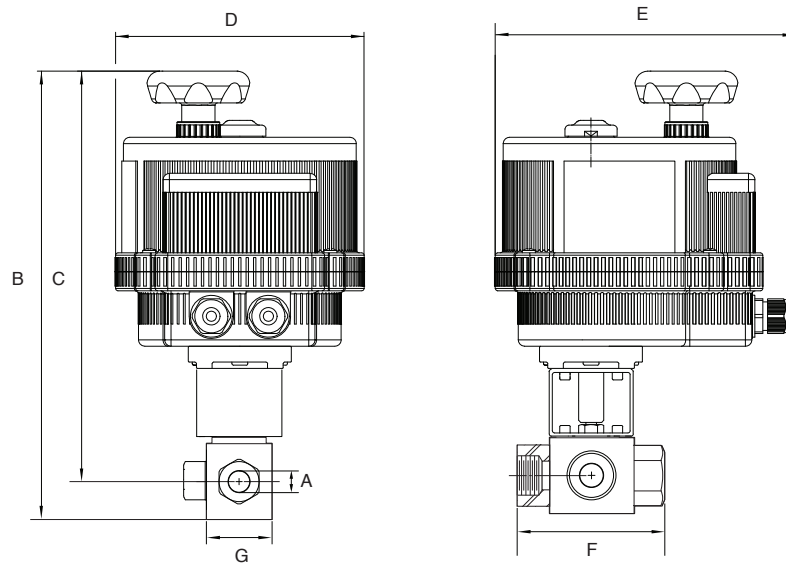


## BILL OF MATERIALS FOR 3400/3500



N POS	PART NAME	MATERIAL	N PCS
1	BODY	OXIDE COATED CARBON STEEL	1
2	END FITTING	OXIDE COATED CARBON STEEL	3
3	STEM	COATED STEEL	1
4	O-RING	VITON®	1
5	STEM SEAL	VITON®	1
6	BALL SEAT	DELTRIN	3
7	THRUST WASHER	DELTRIN	1

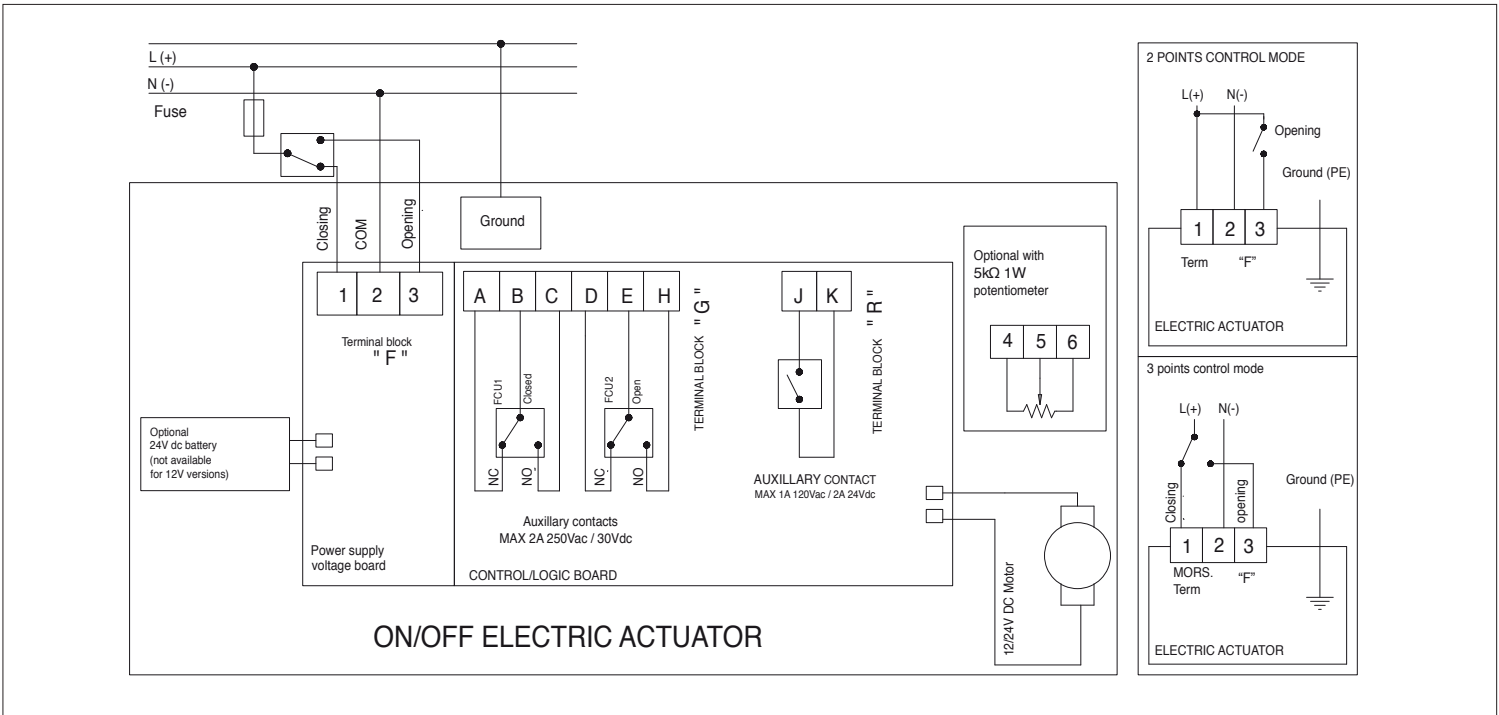
## DIMENSIONS



Size	3/8" NPT 9/16-18 SAE	1/2" NPT 3/4-16 SAE	3/4" NPT 1-1/16-12 SAE	1" NPT 1-5/16-12 SAE
<b>A</b>	0.39	0.51	0.79	0.94
<b>B</b>	11.53	11.68	13.24	14.71
<b>C</b>	9.73	9.8	10.55	11.88
<b>D</b>	6.18	6.18	6.18	7.28
<b>E</b>	7.48	7.48	7.48	8.43
<b>F</b>	2.87	3.62	3.82	4.45
<b>G</b>	1.26	1.38	1.93	2.36
<b>Act.</b>	VB030	VB030	VB030	VB060

# ON/OFF WIRING DIAGRAM - VB030 -VB060

12V AC/DC, 24V AC/DC & 100-240VAC



# POSITIONER WIRING DIAGRAM - VB030 -VB060

12V AC/DC, 24V AC/DC & 100-240VAC

