



JOB NAME:	CONTRACTOR:
JOB LOCATION:	APPROVAL:
ENGINEER:	CONTRACTOR P.O.:
APPROVAL:	REPRESENTATIVE:

8E3200

**3200 2-WAY CARBON STEEL, FNPT
THREADED DIRECT MOUNT BALL VALVE WITH
VALBIA ELECTRIC ACTUATOR**

SIZES 3/8" TO 1"

8E3300

**3300 2-WAY CARBON STEEL, SAE
THREADED DIRECT MOUNT BALL VALVE WITH
VALBIA ELECTRIC ACTUATOR**

SIZES 9/16-18 SAE TO 1-5/16-12 SAE

*001	12V AC/DC	*002	24V AC/DC	*003	100-240V AC
01	BATTERY BACKUP	*02*	POSITIONER	*04*	BATTERY BACKUP W POSITIONER

SPECIFICATIONS

The Bonomi 8E3200 series electric actuated package feature a high-pressure NPT carbon steel hydraulic ball valve, and the 8E3300 series features all the same characteristics, however, with SAE connections.

The Valbia electric VB series actuator is standardly furnished with dual voltages, two extra limit switches, torque limiter, extended manual override, 75% duty cycle motor, in a IP 67, NEMA 4, 4X techno polymer housing.

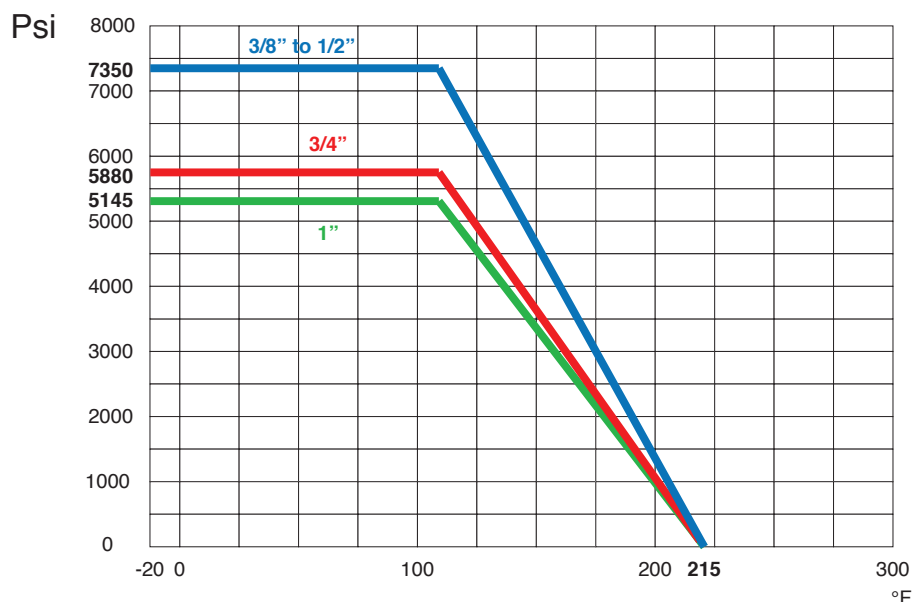
ACTUATOR FEATURES

- NEMA 4, 4X Housing
- 12V/24V AC/DC and 100-240V AC Models Available
- ISO 5211 dual patterns
- VB015 -12/24V AC - 50% Duty Cycle
- VB030-VB110 - 12/24V DC and 100-240V AC - 75% Duty Cycle
- High-Strength, Impact Resistant IP67 Technopolymer Housing
- Temperature Range -4°F to 131°F
- PG11 Electrical Connection/Optional 1/2" Conduit

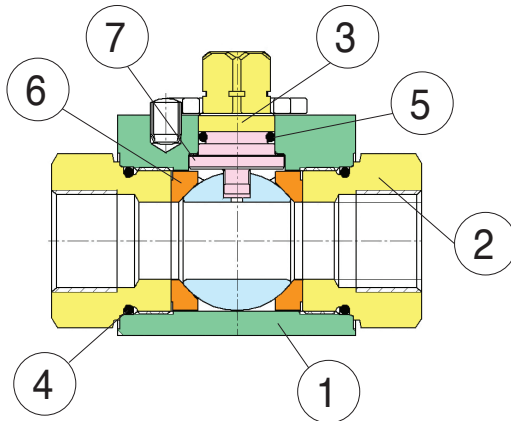
VALVE FEATURES

- Carbon Steel Full Port Ball Valve
- Available in NPT and SAE
- Full port, sizes 3/8" to 1"
- Blow out proof stem
- Pressure rating 7350 psi (3/8" to 1/2"), 5880 psi (3/4"), 5145 psi (1")
- Temperature range -20°F to 215°F

PRESSURE - TEMPERATURE CHART FOR SERIES 3200/3300

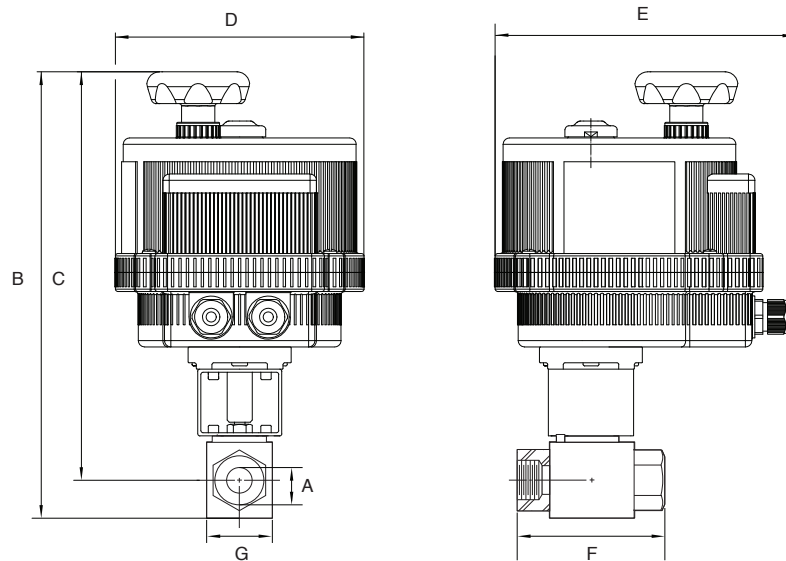


BILL OF MATERIALS FOR 3200/3300



N POS	PART NAME	MATERIAL	N PCS
1	BODY	OXIDE COATED CARBON STEEL	1
2	END FITTING	OXIDE COATED CARBON STEEL	2
3	STEM	COATED STEEL	1
4	O-RING	VITON®	1
5	STEM SEAL	VITON®	2
6	BALL SEAT	DELTRIN	2
7	THRUST WASHER	DELTRIN	1

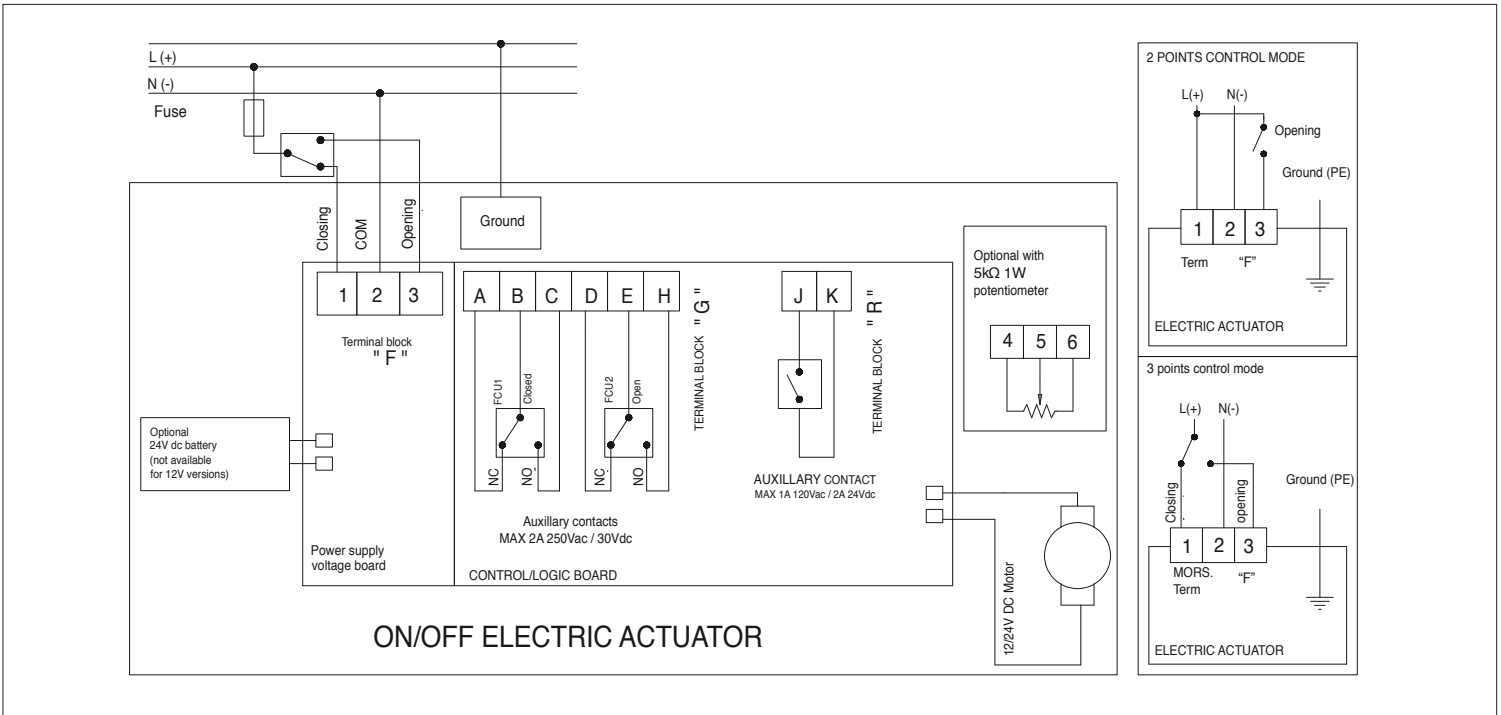
DIMENSIONS



Size	3/8" NPT 9/16-18 SAE	1/2" NPT 3/4-16 SAE	3/4" NPT 1-1/16-12 SAE	1" NPT 1-5/16-12 SAE
A	0.39	0.51	0.79	0.94
B	11.53	11.68	13.24	14.71
C	9.73	9.8	10.55	11.88
D	6.18	6.18	6.18	7.28
E	7.48	7.48	7.48	8.43
F	2.87	3.62	3.82	4.45
G	1.26	1.38	1.93	2.36
Act.	VB030	VB030	VB030	VB060

ON/OFF WIRING DIAGRAM - VB030 -VB060

12V AC/DC, 24V AC/DC & 100-240VAC



POSITIONER WIRING DIAGRAM - VB030 -VB060

12V AC/DC, 24V AC/DC & 100-240VAC

