



JOB NAME:	CONTRACTOR:
JOB LOCATION:	APPROVAL:
ENGINEER:	CONTRACTOR P.O.:
APPROVAL:	REPRESENTATIVE:

8E077

776032 3-WAY WAFER STYLE, BRACKET MOUNTED, CARBON STEEL DIVERTING BALL VALVE, "L" PORT, TWO SEATS, ANSI CLASS 150, REDUCED BORE WITH VALBIA ELECTRIC ACTUATOR

SIZES 1/2" TO 4"

8E086

776018 3-WAY WAFER STYLE, BRACKET MOUNTED, STAINLESS STEEL DIVERTING BALL VALVE, "L" PORT, TWO SEATS, ANSI CLASS 150, REDUCED BORE WITH VALBIA ELECTRIC ACTUATOR

SIZES 1/2" TO 4"

*001 12V AC/DC	*002 24V AC/DC	*003 100-240V AC
01 BATTERY BACKUP	*02* POSITIONER	*04* BATTERY BACKUP W POSITIONER

SPECIFICATIONS

The Bonomi 8E077 series electric actuated package features a short profile, carbon steel, ANSI 150 Class 3-way L port ball valve. The 8E086 electric package has a stainless-steel version of the same.

The Valbia electric VB series actuator is standardly furnished with dual voltages, two extra limit switches, torque limiter, extended manual override, 75% duty cycle motor, in a IP 67, NEMA 4, 4X techno polymer housing

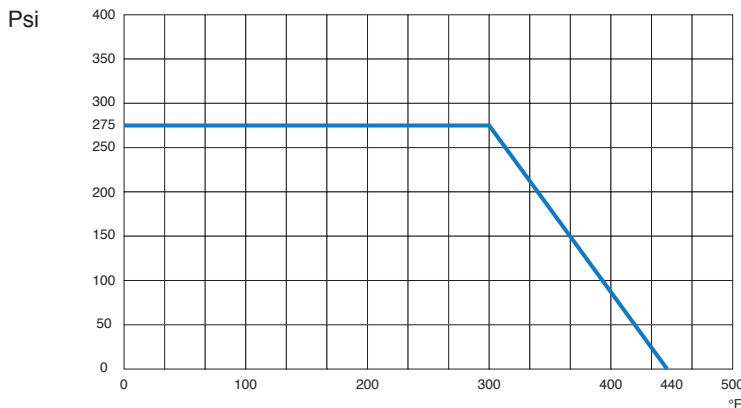
ACTUATOR FEATURES

- NEMA 4, 4X Housing
- 12V/24V AC/DC and 100-240V AC Models Available
- ISO 5211 dual patterns
- VB015 -12/24V AC - 50% Duty Cycle
- VB030-VB060 - 12/24V DC and 100-240V AC - 75% Duty Cycle
- High-Strength, Impact Resistant IP67 Technopolymer Housing
- Temperature Range -4°F to 131°F
- PG11 Electrical Connection/Optional 1/2" conduit connection

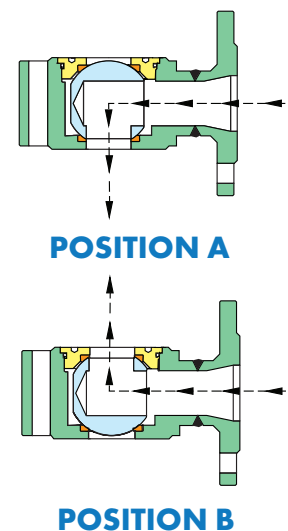
VALVE FEATURES

- ANSI Class 150, 3-way Diverter L port
- Compact design
- 776032 - Carbon Steel
- 776018 - Stainless Steel
- Sizes 1/2" to 4"
- Temperature range -4° F to 366° F.
- Blow out proof stem.
- R.P.T.F.E. seats, packing and thrust washer.
- 100% tested.
- TUV T.A. Luft approved.
- ISO 5211 mounting pad with double "D" stem

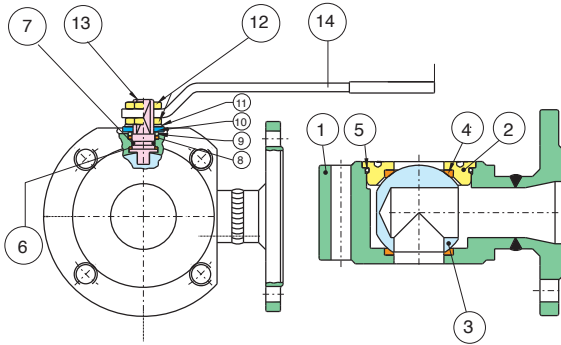
PRESSURE – TEMPERATURE CHART FOR SERIES 776018/776032



FLOW PATH



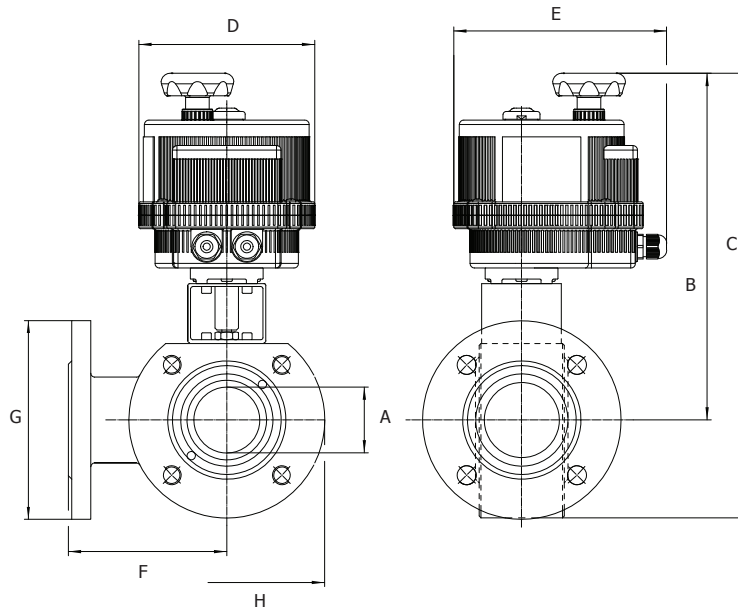
BILL OF MATERIALS



N POS	PART NAME	MATERIAL	N PCS
1	BODY	ASTM A105 / AISI 316	1
2	END CONNECTION	ASTM A105 / AISI 316	1
3	BALL	AISI 304 / AISI 316	1
4	BALL SEAT	R.P.T.F.E.	2
5	O-RING	FKM (Viton®)	1
6	THRUST WASHER	P.T.F.E.	1
7	O-RING	FKM (Viton®)	1

N POS	PART NAME	MATERIAL	N PCS
8	STEM SEAL	P.T.F.E.	1
9	PACKING GLAND	STEEL	1
10	END STOP	STEEL (1/2" - 2") STEEL (2-1/2" - 4")	2
11	SPRING WASHER	STEEL	2
12	NUT	STEEL	2
13	STEM	AISI 304 / AISI 316	1
14	HANDLE	STEEL	1

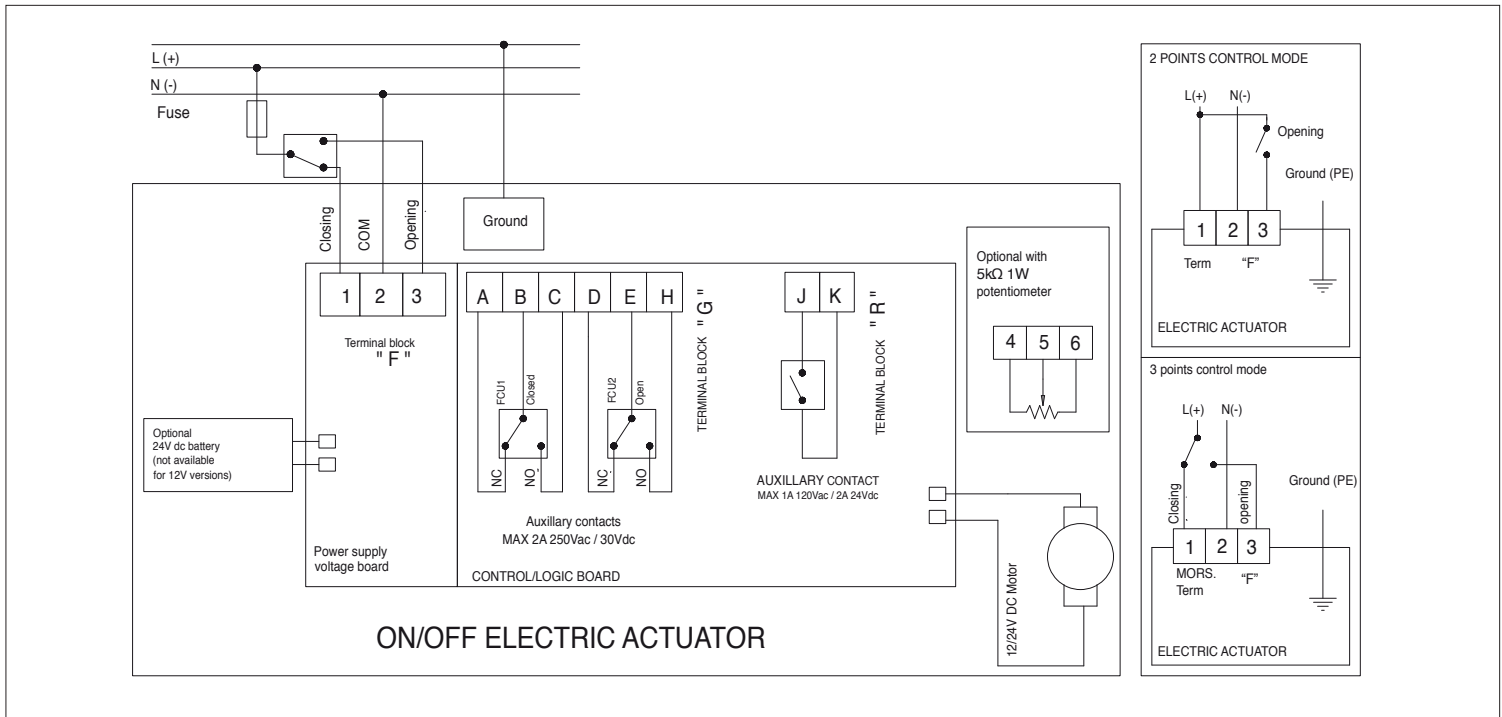
DIMENSIONS



Size	1/2"	3/4"	1"	1-1/4"	1-1/2"	2"	2-1/2"	3"	4"
A	0.39	0.59	0.78	0.98	1.26	1.57	1.97	2.50	2.99
B	10.5	10.9	13.1	13.6	15.5	16.1	18.0	18.5	20.8
C	8.82	8.98	10.9	11.3	12.9	13.1	14.5	14.8	16.3
D	4.84	4.84	6.18	6.18	7.28	7.28	8.31	8.31	8.31
E	6.46	6.46	7.52	7.52	8.47	8.47	9.33	9.33	9.33
F	2.99	3.23	3.39	3.94	4.13	4.53	4.92	5.91	6.26
G	3.54	3.94	4.33	4.72	5.12	5.91	7.09	7.48	9.06
H	3.54	3.94	4.33	4.72	5.12	5.91	7.09	7.48	9.06
Act.	VB015	VB015	VB030	VB030	VB060	VB060	VB110	VB110	VB190

ON/OFF WIRING DIAGRAM - VB030 -VB190

12V AC/DC, 24V AC/DC & 100-240VAC



POSITIONER WIRING DIAGRAM - VB030 -VB190

12V AC/DC, 24V AC/DC & 100-240VAC

