



JOB NAME:	CONTRACTOR:
JOB LOCATION:	APPROVAL:
ENGINEER:	CONTRACTOR P.O.:
APPROVAL:	REPRESENTATIVE:

8E082-00*

720017 2-WAY CARBON STEEL, ANSI 150 FLANGED, WAFER STYLE, FULL PORT BALL VALVE WITH VALBIA ELECTRIC ACTUATOR AND BRACKET

SIZES 1/2" TO 6"

*001	12V AC/DC	*002	24V AC/DC	*003	100-240V AC
01	BATTERY BACKUP	*02*	POSITIONER	*04*	BATTERY BACKUP W POSITIONER

SPECIFICATIONS

The Bonomi 8E082 series electric package features the 720017-carbon steel wafer, full port ANSI 150 flanged ball valve, in sizes 1/2"-6". This space saving valve also meets ANSI 16.34, ANSI 16.5, NACE MR 0175/ISO 15156 and NACE MR 0103. It has RTFE seats, and an ISO 5211 mounting pad.

The Valbia VB series actuator housing is made from a high impact resistant techno polymer, and standardly features dual motors, two extra limit switches, a heater & thermostat, a torque limiter, dual ISO patterns, female star drive, position indicator, PG11 connections, and a 75% duty cycle motor. The actuator is also NEMA 4,4X rated. Options include positioning boards, battery backups, or a combination of the two.

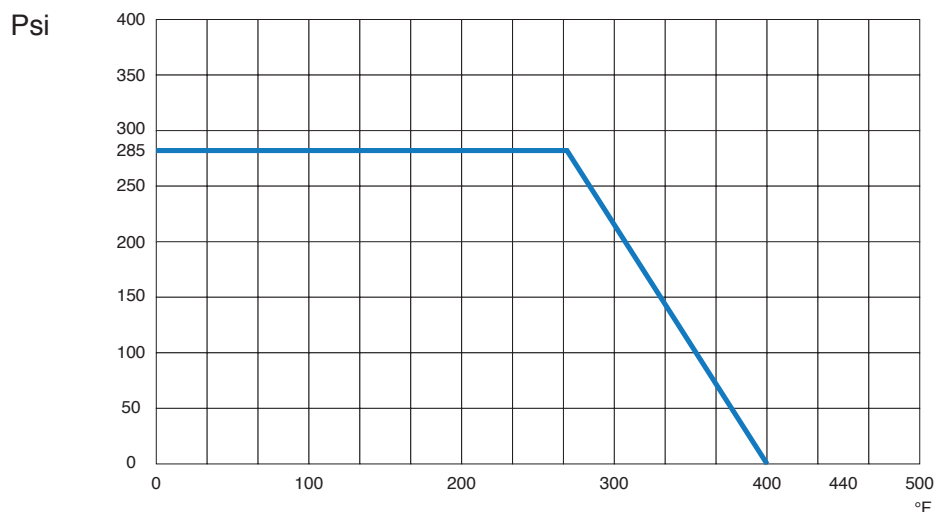
ACTUATOR FEATURES

- NEMA 4, 4X IP67 Housing
- 12V/24V AC/DC and 100-240V AC Models Available
- ISO 5211 dual patterns
- VB015 -12/24V AC - 50% Duty Cycle
- VB030-VB110 - 12/24V DC and 100-240V AC - 75% Duty Cycle
- High-Strength, Impact Resistant IP67 Technopolymer Housing
- Heater & Thermostat
- Torque Limiter
- Temperature Range -4°F to 131°F
- PG11 Electrical Connection/Optional 1/2" Conduit

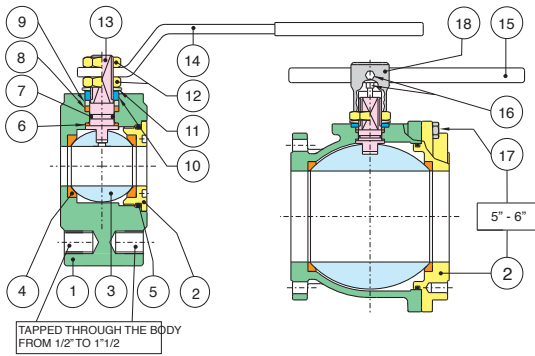
VALVE FEATURES

- Carbon steel, ANSI class 150 flanged
- Full port, sizes 1/2" to 6"
- Temperature range -4°F to 400°F
- Blow-out proof stem
- R.P.T.F.E. seats, packing and thrust washer
- Space saving design
- 100% tested
- TUV T.A. Luft approved
- ANSI B16.34 design
- ISO 5211 mounting pad with double "D" stem

PRESSURE - TEMPERATURE CHART FOR SERIES 720017



BILL OF MATERIALS FOR 720017

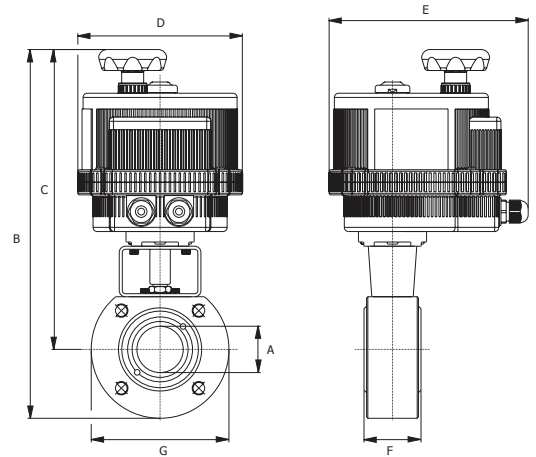


N POS	PART NAME	MATERIAL	N PCS
1	BODY	ASTM A105/WCB	1
2	END CONNECTION	ASTM A105/WCB	1
3	BALL	A479-304/A351 CF8M	1
4	BALL SEATS	R.P.T.F.E.	2
5	O-RING	FKM (Viton®)	1
6	THRUST WASHER	P.T.F.E.	1
7	RING	FKM (Viton®)	1
8	STEM SEAL	P.T.F.E.	1
9	PACKING GLAND	STEEL	1
10	END STOP	STEEL	2-1

N POS	PART NAME	MATERIAL	N PCS
11	SPRING WASHER	STEEL	2
12	NUT	STEEL	2
13	STEM	AISI 304	1
14	HANDLE	STEEL	1
15	HANDLE DN 150-200	STEEL	1
16	SCREW	STEEL	2
17	SCREW	STEEL	8-12
18	BODY HANDLE DN150-200	CAST IRON	1

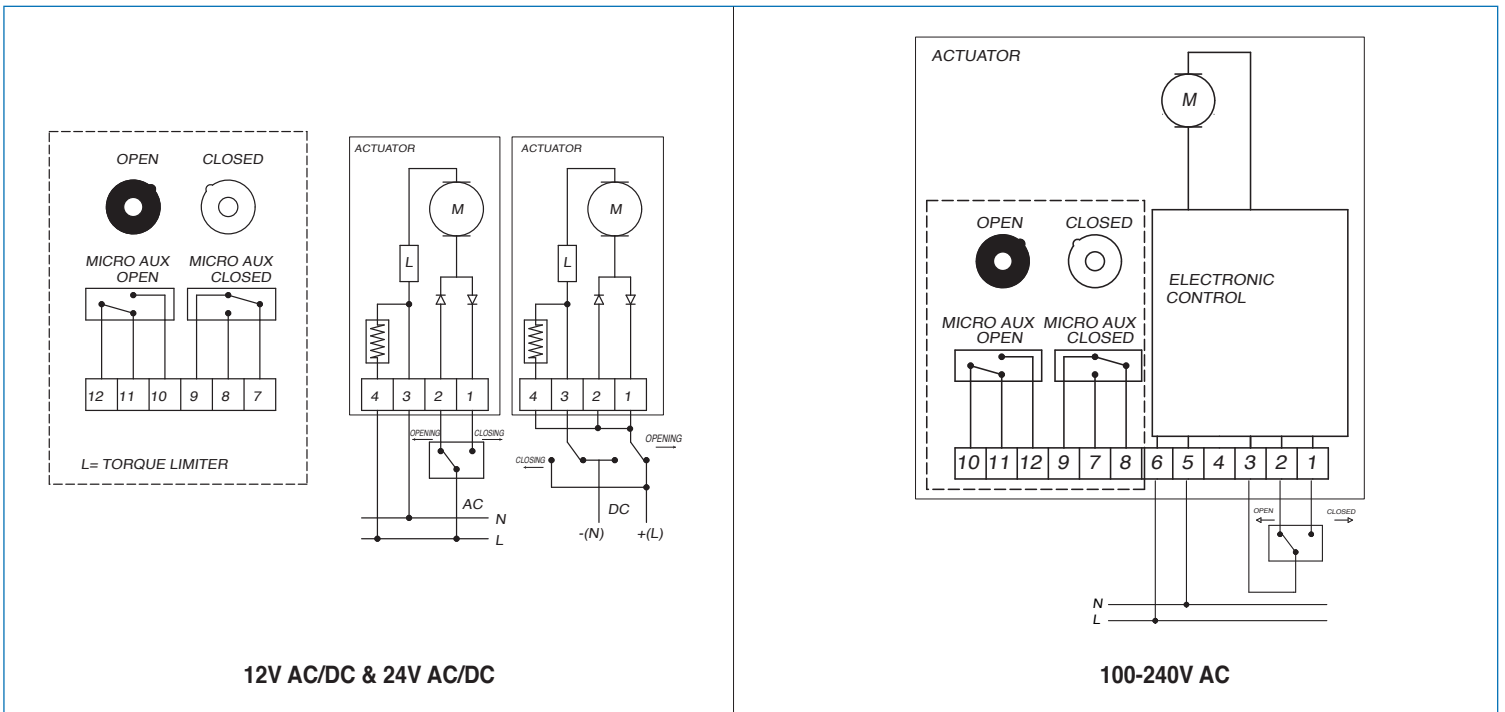
DIMENSIONS

Size	A	B	C	D	E	F	G	Act.
1/2"	0.50	10.50	8.81	4.84	6.45	1.37	3.54	VB015
3/4"	0.75	10.90	8.97	4.84	6.45	1.57	3.93	VB015
1"	1.00	13.10	11.00	6.18	7.51	1.81	4.33	VB030
1-1/4"	1.25	13.80	11.20	6.18	7.51	2.12	5.11	VB030
1-1/2"	1.50	15.70	12.90	7.28	8.46	2.51	5.51	VB060
2"	2.00	16.20	13.20	7.28	8.46	3.22	5.90	VB060
2-1/2"	2.50	17.90	14.50	8.30	9.33	4.05	6.88	VB110
3"	3.00	18.60	14.90	8.30	9.33	4.80	7.48	VB110
4"	4.00	20.60	16.30	8.30	9.33	5.98	8.66	VB190
6"	6.00	22.10	17.20	8.30	9.33	7.71	9.84	VB350



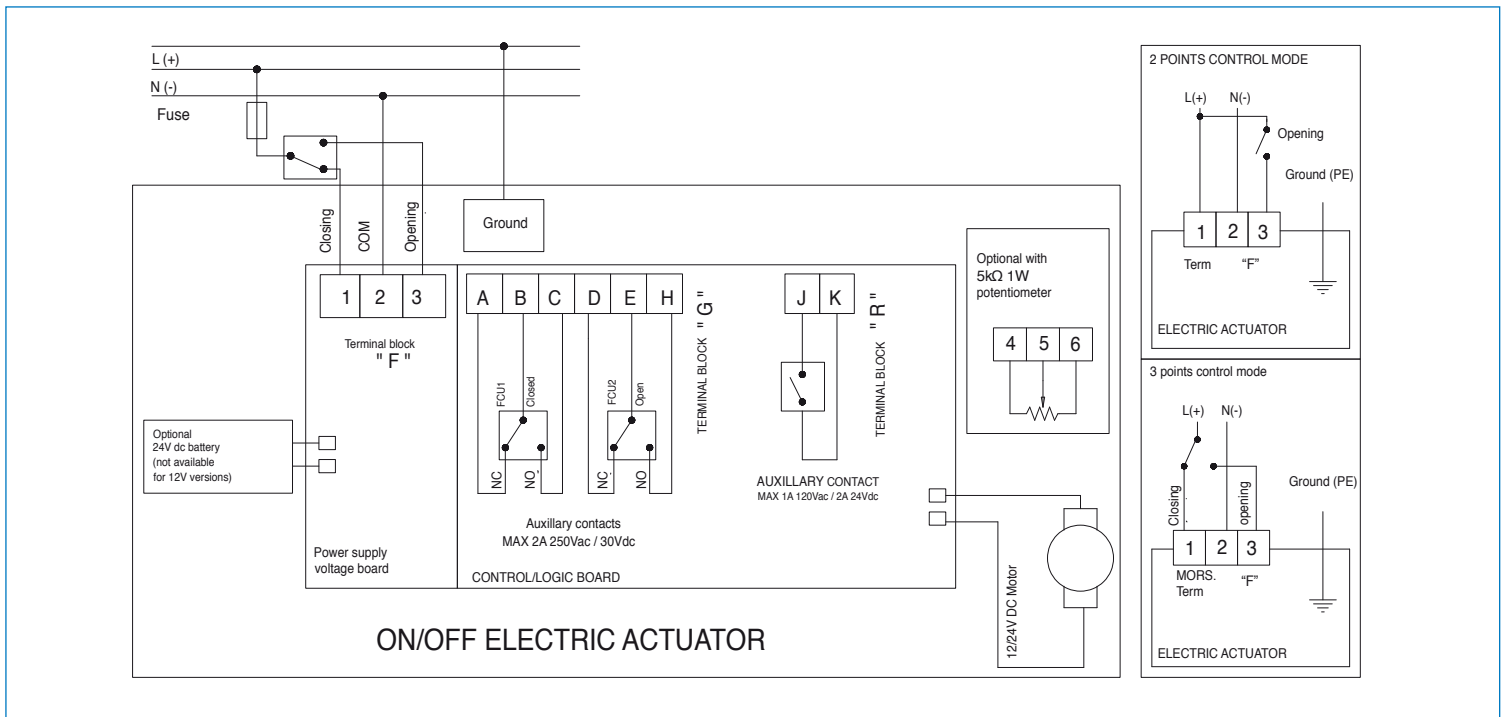
ON/OFF WIRING DIAGRAM - VB015

12V AC/DC, 24V AC/DC & 100-240VAC



ON/OFF WIRING DIAGRAM - VB030 -VB190

12V AC/DC, 24V AC/DC & 100-240VAC



POSITIONER WIRING DIAGRAM - VB030 -VB190

12V AC/DC, 24V AC/DC & 100-240VAC

