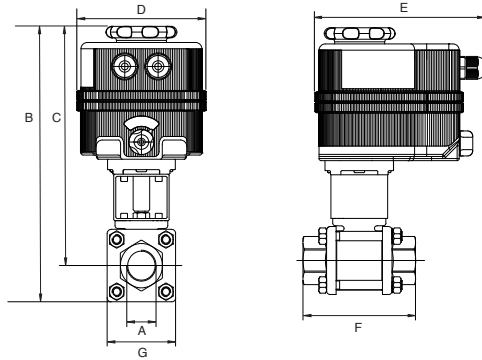


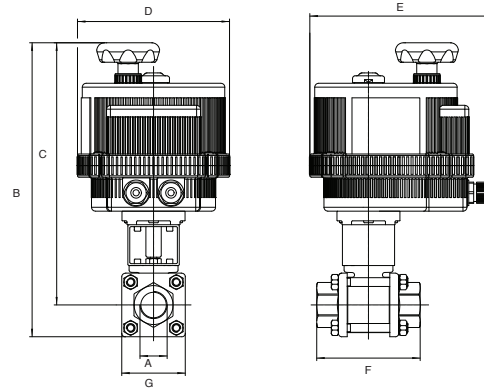
VB015

SIZES 1/4" THROUGH 1-1/4"



VB030-VB190

SIZES 1-1/2" THROUGH 4"



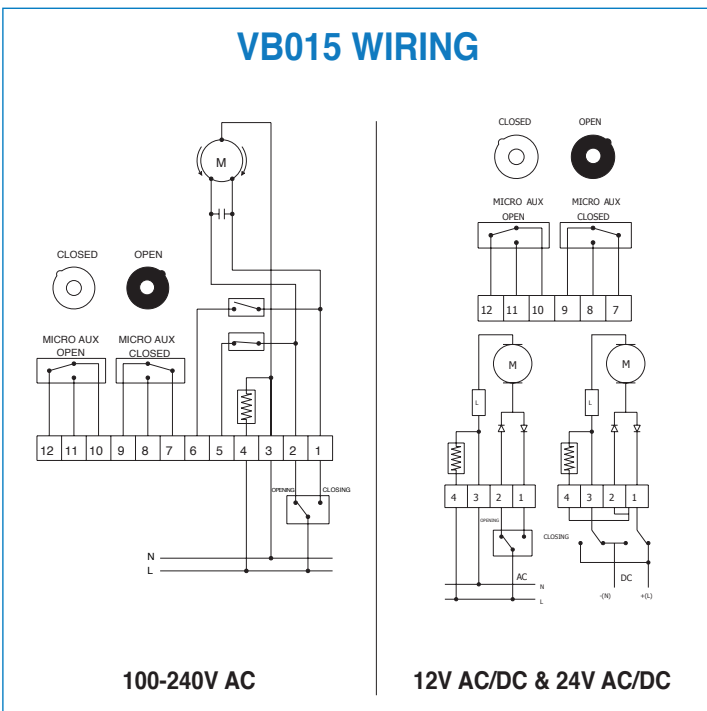
DIMENSIONS

Size	A	B	C	D	E	F	G	ACT.
1/4"	.250	8.07	7.40	4.84	6.46	2.24	1.30	VB015
3/8"	.375	8.07	7.40	4.84	6.46	2.24	1.30	VB015
1/2"	.500	8.47	7.72	4.84	6.46	2.56	1.50	VB015
3/4"	.750	9.92	9.02	4.84	6.46	2.99	1.85	VB015
1"	1.00	12.1	10.9	6.18	7.52	3.62	2.28	VB030
1-1/4"	1.25	12.4	11.1	6.18	7.52	4.21	2.64	VB030
1-1/2"	1.50	14.4	12.9	7.28	8.47	4.57	3.00	VB060
2"	2.00	15.0	13.2	7.28	8.47	5.35	3.54	VB060
2-1/2"	2.50	17.0	14.4	8.31	9.33	6.06	5.28	VB110
3"	3.00	18.0	14.8	8.31	9.33	7.09	6.39	VB110
4"	4.00	20.0	16.3	8.31	9.33	8.54	7.48	VB190

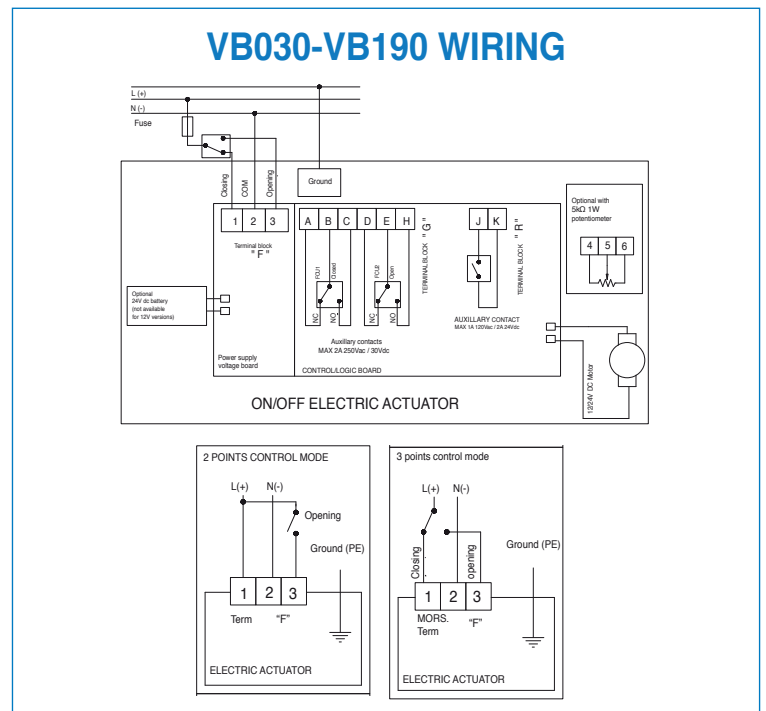
ON/OFF WIRING DIAGRAMS

12V AC/DC, 24V AC/DC & 100-240VAC

VB015 WIRING

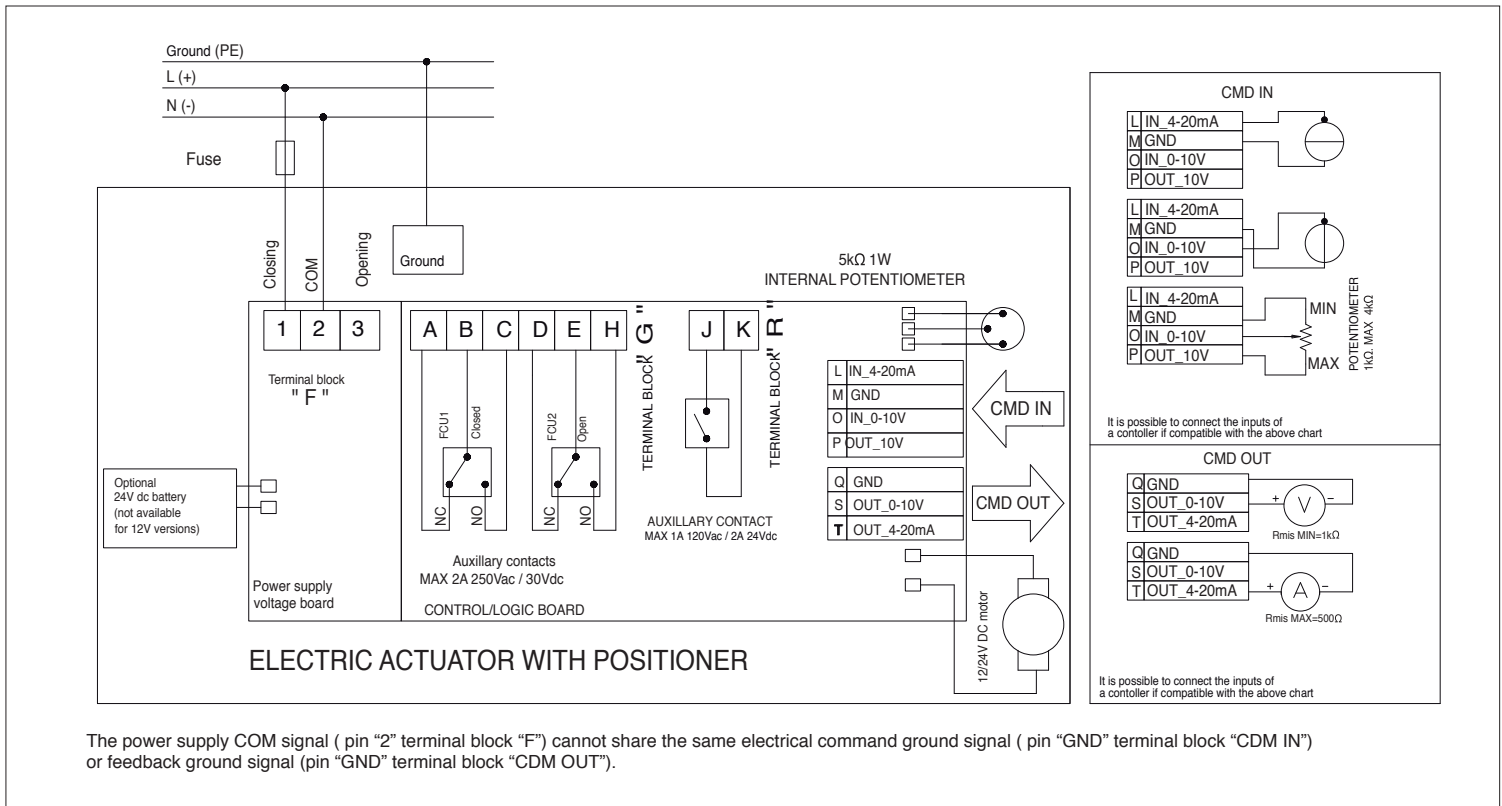


VB030-VB190 WIRING



POSITIONER WIRING DIAGRAM

12V AC/DC, 24V AC/DC & 100-240VAC



3-POSITION WIRING DIAGRAM

12V AC/DC, 24V AC/DC & 100-240VAC

