



JOB NAME:	CONTRACTOR:
JOB LOCATION:	APPROVAL:
ENGINEER:	CONTRACTOR P.O.:
APPROVAL:	REPRESENTATIVE:

**M8E074-00\* - M8E080-00\* - M8E081-00\***  
**FNPT THREADED                      SOCKET WELD                      BUTT WELD**

**710001 BRACKET MOUNTED, 3-PC, 2-WAY STAINLESS STEEL, FULL PORT BALL VALVE IN NPT, SOCKET WELD OR BUTT WELD W/VALBIA METAL ELECTRIC ACTUATOR SIZES 1/4" TO 4"**

<b>*001</b> 12V AC/DC	<b>*002</b> 24V AC/DC	<b>*003</b> 100-240V AC
<b>*01*</b> BATTERY BACKUP	<b>*02*</b> POSITIONER	<b>*04*</b> BATTERY BACKUP W POSITIONER

**SPECIFICATIONS**

The Bonomi M8E074/M8E080/M8E081 series features a three-piece, full port stainless steel ball valve, up to 1000 psi, with either threaded, socket weld, or butt weld end connections. The valve also features an ISO mounting pad, and meets NACE MR 0175 and NACE MR0103.

The Valbia actuator housing is made from die cast aluminum with a polyester powder coating for maximum external protection from the elements either outdoors or indoors. The housing also includes captive cover bolts.

Also, standard actuator features include: 2 extra limit switches, dual voltage motors, dual ISO patterns, a square drive, a manual override, a dome position indicator, heater and thermostat, a torque limiter, 1/2" conduit connections, and a 75% duty cycle motor.

Optional battery-backup and positioning models are available.

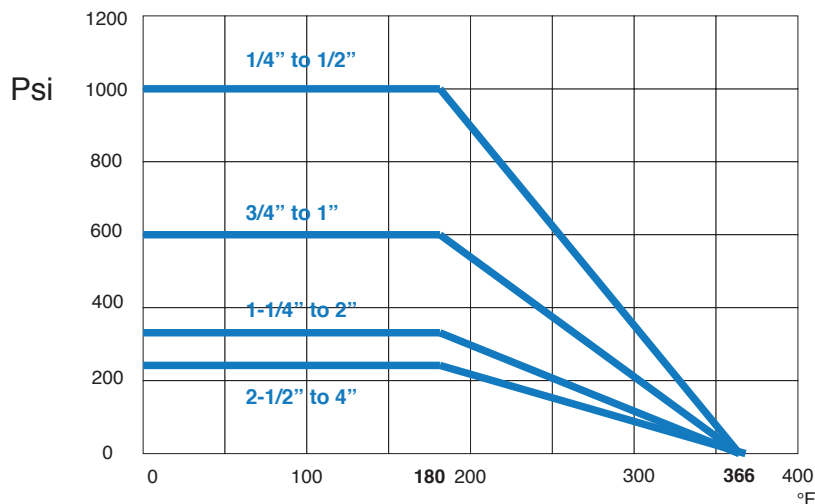
**ACTUATOR FEATURES**

- Dual Voltages
- 24V AC/DC and 100-240V AC Models Available
- ISO 5211 dual patterns
- 75% Duty Cycle
- Anti-condensation heater, (when red wire is connected to power)
- High-Strength, Die Cast Aluminum Powder Coated Housing
- Temperature Range -4°F to 131°F
- NEMA 4 Housing
- Two Auxiliary Switches Standard
- Torque limiter standard
- 1/2" conduit connection

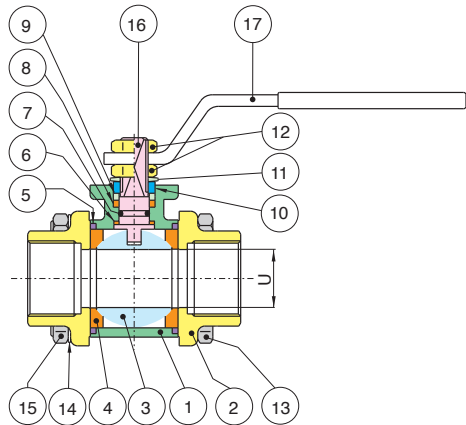
**VALVE FEATURES**

- CF8M body
- Full port, sizes 1/4" to 4"
- ISO 5211 mounting pad
- Pressure rating 1/4" to 1/2" 1000 psi
- Pressure rating 3/4" to 1" 600 psi
- Pressure rating 1-1/4" to 3" 350 psi
- Pressure rating 2-1/2" to 4" 230 psi
- 150 psi steam
- Temperature range -4°F to +366°F
- Blow out proof stem, adjustable stem packing
- P.T.F.E. seats, packing and thrust washer
- 100% electronically tested in the open and closed position at 80 psi
- TUV T.A. Luft approved

**PRESSURE - TEMPERATURE CHART FOR SERIES 710001 / 711000 / 712000**



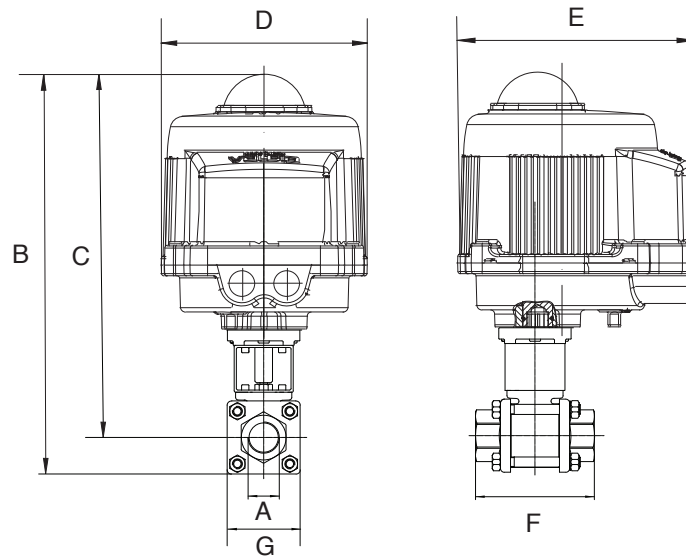
## BILL OF MATERIALS FOR 710001/711000/712000



N POS	PART NAME	MATERIAL	N PCS
1	BODY	CF8M	1
2	END CAP	CF8M	2
3	BALL	AISI 304-CF8M	1
4	BALL SEAT	P.T.F.E.	2
5	SEAL	P.T.F.E.	2
6	STEM SEAL	R.T.F.E.	1
7	O-RING	VITON	1
8	STEM SEAL	P.T.F.E.	1
9	PACKING GLAND	STEEL	1

N POS	PART NAME	MATERIAL	N PCS
10	END STOP	AISI 430 (1/4" - 2")	2
		STEEL (2-1/2" - 4")	1
11	SPRING WASHER	STEEL (2-1/2" - 4")	2
12	NUT	STEEL	2
13	BOLT	STEEL (1/4" - 2")	4
		STEEL (2-1/2" - 4")	6
14	WASHER	STEEL (1/4" - 2")	4
		STEEL (2-1/2" - 4")	6
15	NUT	STEEL (1/4" - 2")	4
		STEEL (2-1/2" - 4")	6
16	STEM	AISI 304	1
17	HANDLE	STEEL	1

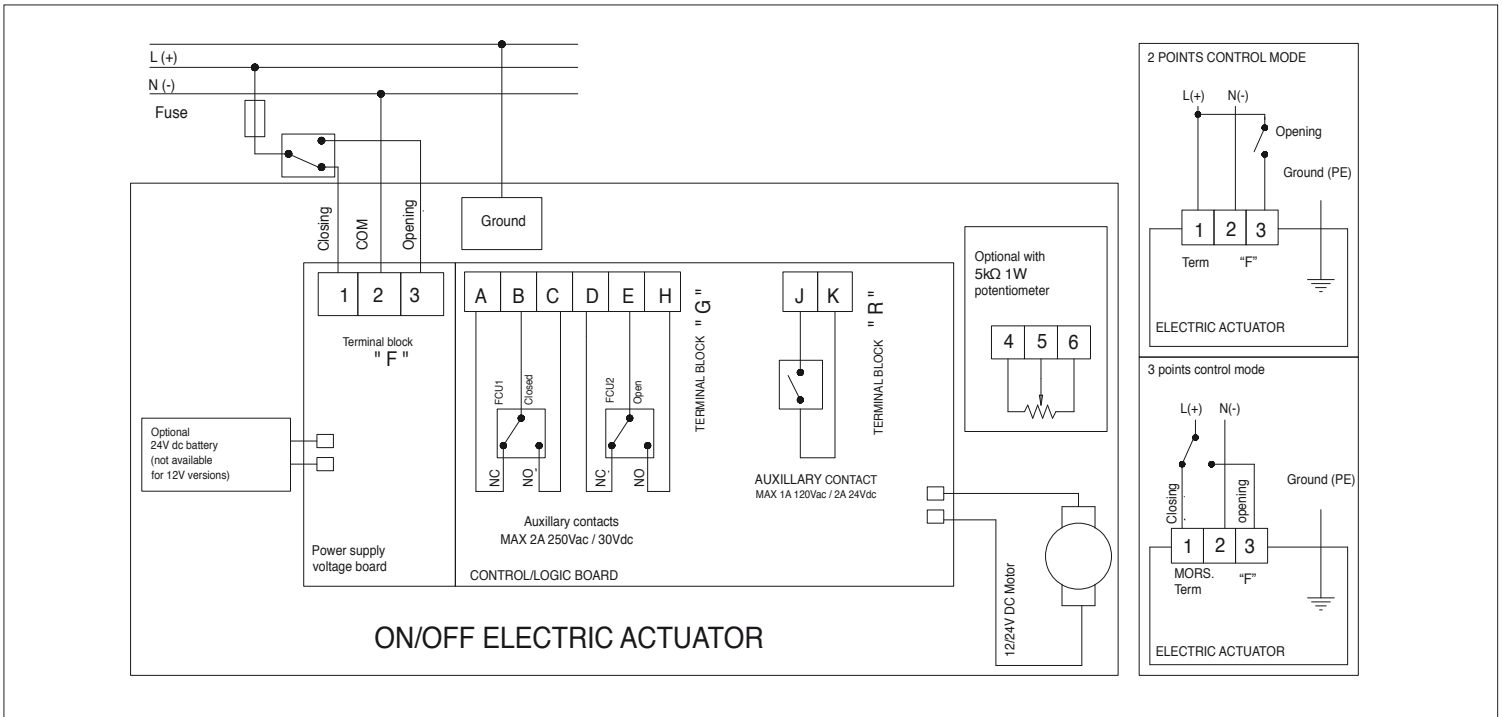
## DIMENSIONS



Size	A	B	C	D	E	F	G	ACT.
1/4"	.250	13.49	12.74	7.83	7.36	2.24	1.30	VB030M
3/8"	.375	13.62	12.87	7.83	7.36	2.24	1.30	VB030M
1/2"	.500	14.55	13.53	7.83	7.36	2.56	1.50	VB030M
3/4"	.750	15.06	13.95	7.83	7.36	2.99	1.85	VB030M
1"	1.00	16.01	14.71	7.83	7.36	3.62	2.28	VB030M
1-1/4"	1.25	16.52	15.13	7.83	7.36	4.21	2.64	VB030M
1-1/2"	1.50	18.68	16.97	8.66	7.76	4.57	3.00	VB060M
2"	2.00	19.60	17.74	8.66	7.76	5.35	3.54	VB060M
2-1/2"	2.50	24.96	22.73	10.63	10.47	6.06	5.28	VB110M
3"	3.00	26.12	23.66	10.63	10.47	7.09	6.39	VB110M
4"	4.00	28.78	25.82	10.63	10.47	8.54	7.48	VB190M

# ON/OFF WIRING DIAGRAM - VB030M -VB190M

12V AC/DC, 24V AC/DC & 100-240VAC



# POSITIONER WIRING DIAGRAM - VB030M-VB190M

12V AC/DC, 24V AC/DC & 100-240VAC

