



<b>JOB NAME:</b>	<b>CONTRACTOR:</b>
<b>JOB LOCATION:</b>	<b>APPROVAL:</b>
<b>ENGINEER:</b>	<b>CONTRACTOR P.O.:</b>
<b>APPROVAL:</b>	<b>REPRESENTATIVE:</b>

## 8E071-00\*

**956N FULL PORT DIRECT MOUNT, 3-WAY STAINLESS STEEL, "T" PORT BALL VALVE W/ELECTRIC ACTUATOR**  
SIZES 1/4" TO 2"

## 8E072-00\*

**966N FULL PORT DIRECT MOUNT, 3-WAY STAINLESS STEEL, "L" PORT BALL VALVE W/ELECTRIC ACTUATOR**  
SIZES 1/4" TO 2"

*001 12V AC/DC	*002 24V AC/DC	*003 100-240V AC
*01* BATTERY BACKUP	*02* POSITIONER	*04* BATTERY BACKUP W POSITIONER

### SPECIFICATIONS

The 8E071/8E072 series features the 956N (T-port) or 966N (L-port) in a 3-way ASTM A351-CF8M, full port ball valve, with four seats, and a T ported configuration. The 956N/966N valve is also an ISO 5211 direct mount style, with four seats. The four seats allow one to use any port as an entry port and offers an optional straight through flow and shut-off capabilities.

The VB electric actuator features a NEMA 4, 4X housing, two extra limit switches, a heater and thermostat, torque limiter, special manual override, and a 75% duty cycle motor. PG11 connections are standard, with optional 1/2" conduit

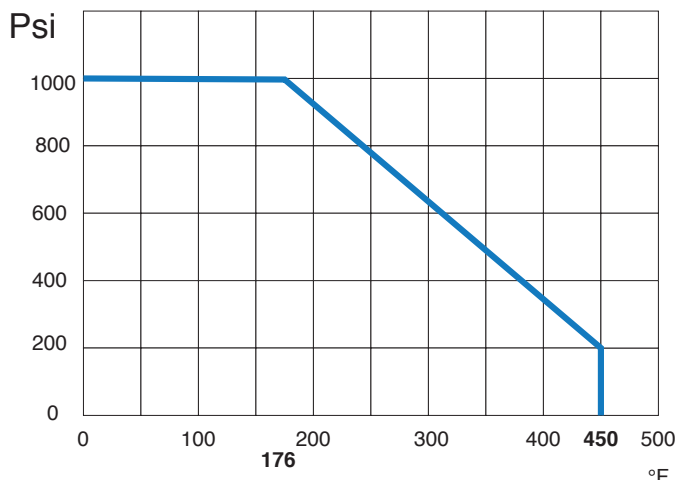
### ACTUATOR FEATURES

- NEMA 4, 4X Housing - CSA, UL Approved
- 12V/24V AC/DC and 100-240V AC Models Available
- ISO 5211, F03/F05 base with 11mm female drive
- VB015 -12/24V AC - 50% Duty Cycle
- VB030-VB110 - 12/24V DC and 100-240V AC - 75% Duty Cycle
- High-Strength, Impact Resistant IP67 Technopolymer Housing
- Temperature Range -4°F to 131°F
- PG11 Electrical Connection/Optional
- 1/2" Conduit

### VALVE FEATURES

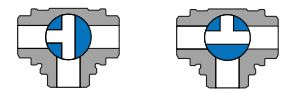
- CF8M Stainless Steel
- Full Port, Sizes 1/4" to 2"
- ISO 5211 pad and square stem
- Pressure rating to 1000psi (1/4" to 1"), 800 psi (1-1/4" to 2")
- Temperature range -4°F to 450°F
- Blow-out proof stem
- Self adjusting stem packing
- 100% electronically tested in the open and closed position@80 Psi

### PRESSURE - TEMPERATURE CHART FOR SERIES 956N & 966N



### FLOW PATH VARIATIONS\*

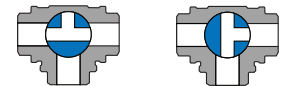
#### T-PORT FLOW PATH A



STANDARD (CCW)

ACTUATED (CW)

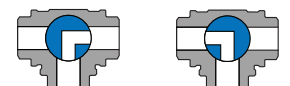
#### T-PORT FLOW PATH B



STANDARD (CCW)

ACTUATED (CW)

#### L-PORT FLOW PATH A

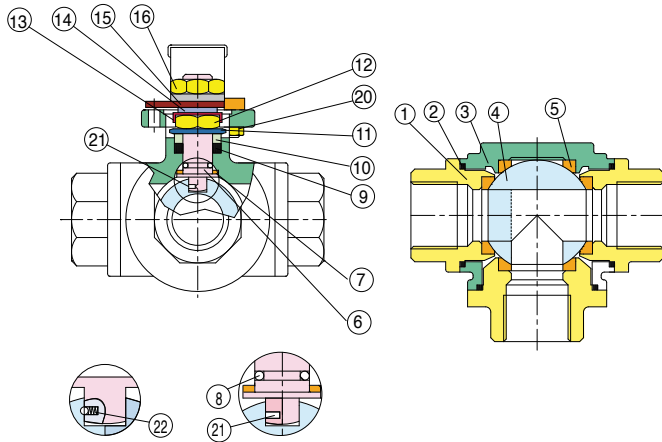


STANDARD (CCW)

ACTUATED (CW)

\* Flow paths above are for actuated packages only. For manual valves flow paths, please reference page 22 of the N. 193 Hand-operated valve catalog.

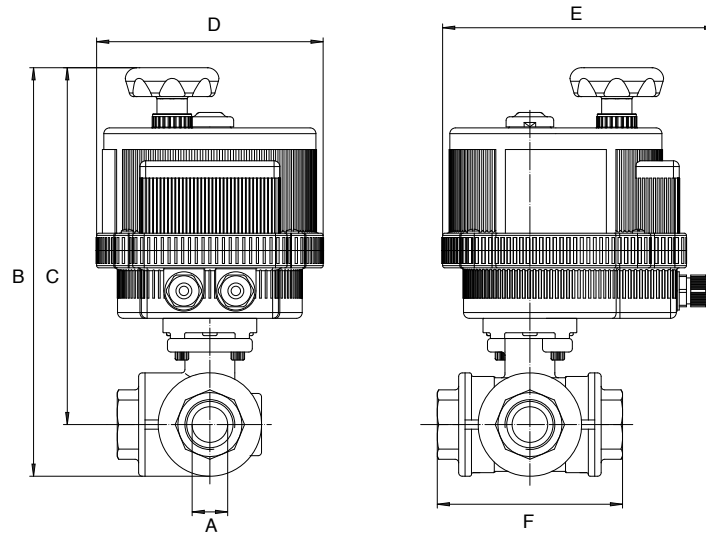
## BILL OF MATERIALS FOR 956N & 966N



N POS	PART NAME	MATERIAL	N PCS
1	END CAP	A351 CF8M	3
2	GASKET	P.T.F.E.	3
3	BODY	A351 CF8M	1
4	BALL	SS316	1
5	SEATS	R.P.T.F.E.	4
6	STEM	SS316	1
7	STEM SEAL	R.P.T.F.E.	1
8	O-RING	FKM (Viton®)	1
9	STEM PACKING	P.T.F.E.	1
10	GLAND	SS304	1
11	DISK WASHER	SS301	2

N POS	PART NAME	MATERIAL	N PCS
12	STEM NUT	SS304	1
13	NUT STOP	SS304	1
14	SPACE WASHER	SS304	1
15	PLATE STOP	SS304	1
16	HANDLE NUT	SS304	1
17	HANDLE	SS304	1
18	HANDLE SLEEVE	VINYL	1
19	STOPPER	SS304	1
20	PIN NUT	SS304	1
21	INSERT PIN	SS316	1
22	ANTISTATIC DEVICE	SS316	1

## DIMENSIONS

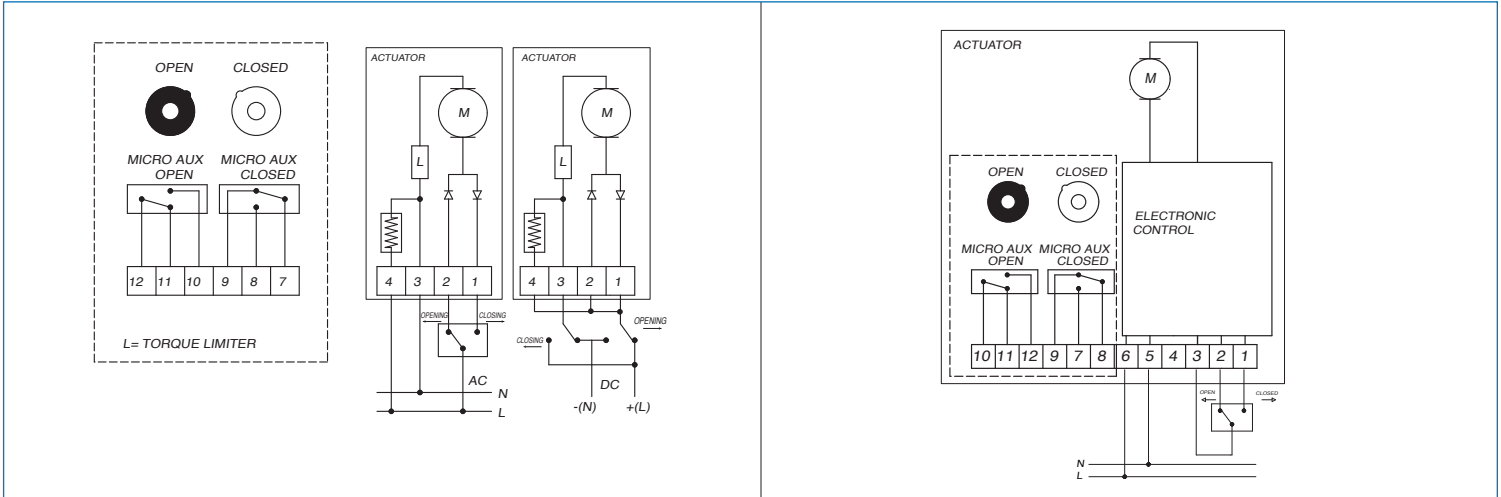


Size	A	B	C	D	E	F	ACT.				
1/4"	0.43	9.64	*9.93	7.70	*9.19	4.84	*6.18	6.41	*7.50	2.83	VB015 / VB030
3/8"	0.47	9.79	9.05	4.84	7.50	3.26	VB030				
1/2"	0.59	9.79	9.05	6.18	7.50	3.89	VB030				
3/4"	0.78	11.62	10.64	6.18	7.50	4.40	VB030				
1"	0.98	12.06	10.94	7.28	8.43	4.92	VB060				
1-1/4"	1.25	12.06	10.94	7.28	8.43	5.86	VB060				
1-1/2"	1.50	13.32	12.02	8.19	9.33	6.64	VB110				
2"	1.97	15.85	13.77	8.19	9.33	7.68	VB190				

\*VB030 IN -01\*, -02\*, -04\* IN SIZE 1/2"

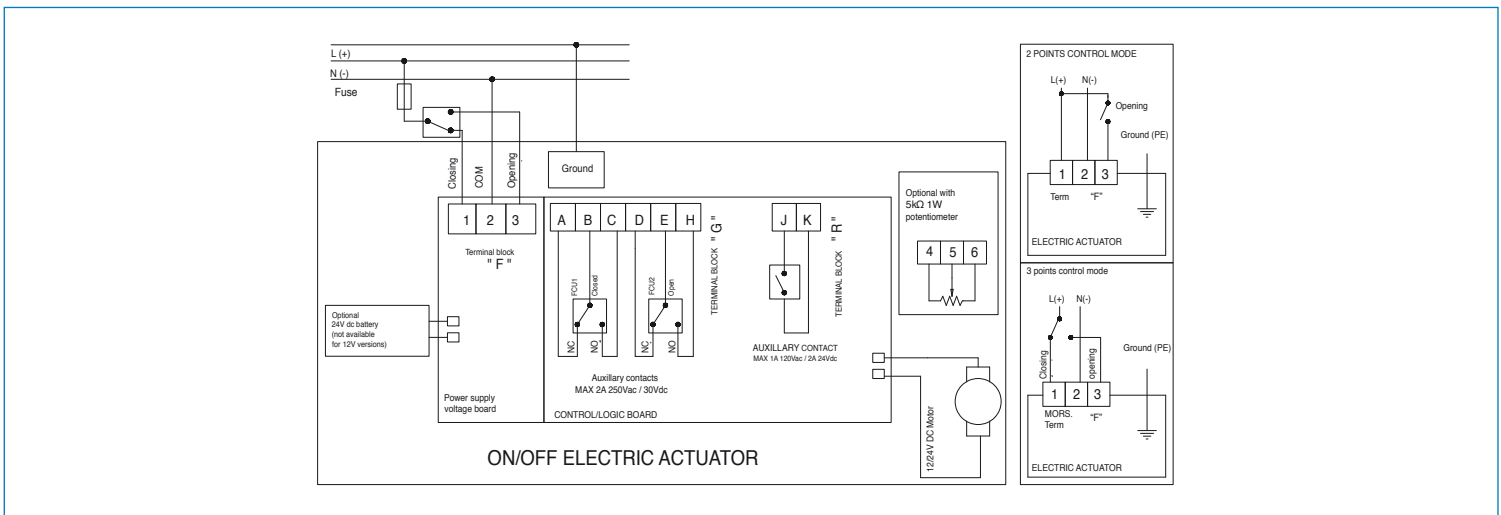
## ON/OFF WIRING DIAGRAM - VB015

12V AC/DC, 24V AC/DC & 100-240VAC



## ON/OFF WIRING DIAGRAM - VB030 -VB190

12V AC/DC, 24V AC/DC & 100-240VAC



## POSITIONER WIRING DIAGRAM - VB030 -VB190

12V AC/DC, 24V AC/DC & 100-240VAC

