



JOB NAME:	CONTRACTOR:
JOB LOCATION:	APPROVAL:
ENGINEER:	CONTRACTOR P.O.:
APPROVAL:	REPRESENTATIVE:

8E0226-00*

7700LL 2-WAY UNIBODY STAINLESS STEEL, FNPT THREADED SEAL WELDED BALL VALVE WITH VALBIA ELECTRIC ACTUATOR AND BRACKET

SIZES 1/4" TO 2"

*001	12V AC/DC	*002	24V AC/DC	*003	100-240V AC
01	BATTERY BACKUP	*02*	POSITIONER	*04*	BATTERY BACKUP W POSITIONER

SPECIFICATIONS

The 8E0226 series features the Bonomi 7700LL full port, CF8M stainless steel body, with 25% carbon reinforced TFE seats, graphite stem packing, and a drilled and tapped rear mounting pad. A thermal relief hole in the stem slot is standard. In addition, the 7700LL has a grounded ball and stem, is NACE MR 0175 compliant, and is fire-safe certified to API 607.

The Valbia VB series actuator housing is made from a high impact resistant technopolymer, and standardly features dual motors, two extra limit switches, a heater & thermostat, a torque limiter, dual ISO patterns, female star drive, position indicator, PG11 connections, and a 75% duty cycle motor. The actuator is also NEMA 4,4X rated. Options include positioning boards, battery backups, or a combination of the two.

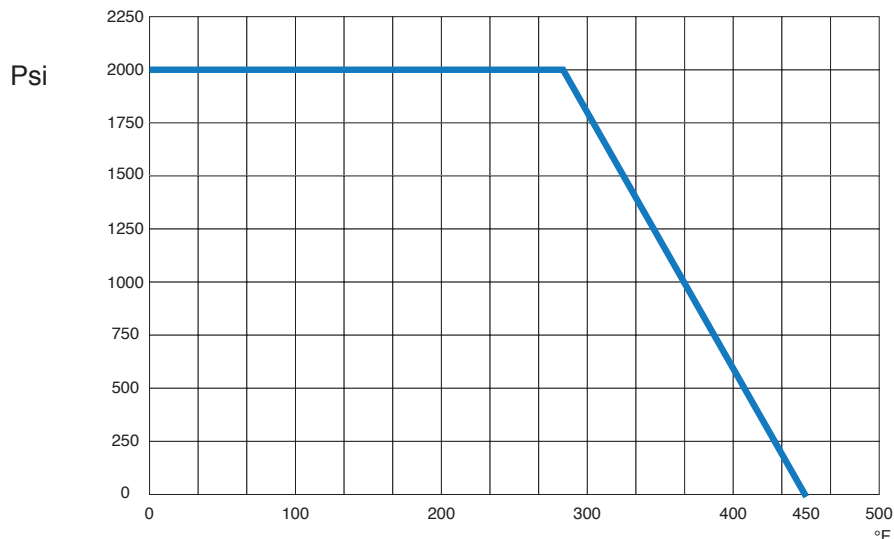
ACTUATOR FEATURES

- NEMA 4, 4X Housing - CSA, UL approved
- 12V/24V AC/DC and 100-240V AC Models Available
- ISO 5211 dual patterns
- VB015 -12/24V AC - 50% Duty Cycle
- VB030-VB110 - 12/24V DC and 100-240V AC - 75% Duty Cycle
- High-Strength, Impact Resistant IP67 Technopolymer Housing
- Temperature Range -4°F to 131°F
- PG11 Electrical Connection/Optional 1/2" Conduit

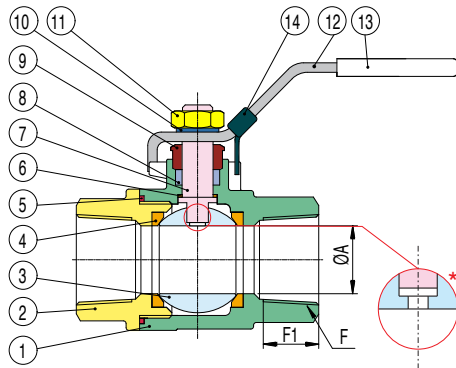
VALVE FEATURES

- Unibody CF8M body
- Full port, sizes 1/4" to 2"
- Fire-safe certified to API 607
- Grounded ball and stem
- Self adjusting stem packing
- Blow out proof stem design
- 100% air tested under water at 80 psi
- Pressure rating 1/4" to 2" 2000 psi 200 psi steam
- Temperature range -4°F to 450°F
- Mounting pad for actuator

PRESSURE - TEMPERATURE CHART FOR SERIES 7700LL



BILL OF MATERIALS FOR 700LL

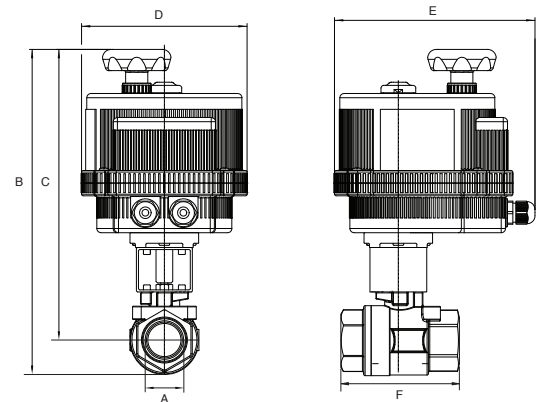


* THERMAL RELIEF HOLE IN THE STEM SLOT.

N POS	PART NAME	MATERIAL	N PCS
1	BODY	CF8M	1
2	END CAP	CF8M	1
3	BALL	SS 316	1
4	SEAT	R.P.T.F.E.	2
5	JOIN GASKET	P.T.F.E.	2
6	THRUST WASHER	P.T.F.E.	1
7	STEM	SS 316	1
8	V RING PACKING	P.T.F.E.	1
9	GLAND BUSH	SS 304	1
10	STEM WASHER	SS 304	1
11	STEM NUT	SS 304	1
12	HANDLE	SS 304	1
13	HANDLE SLEEVE	VINYL	1
14	LOCKING DEVICE	SS 304	1

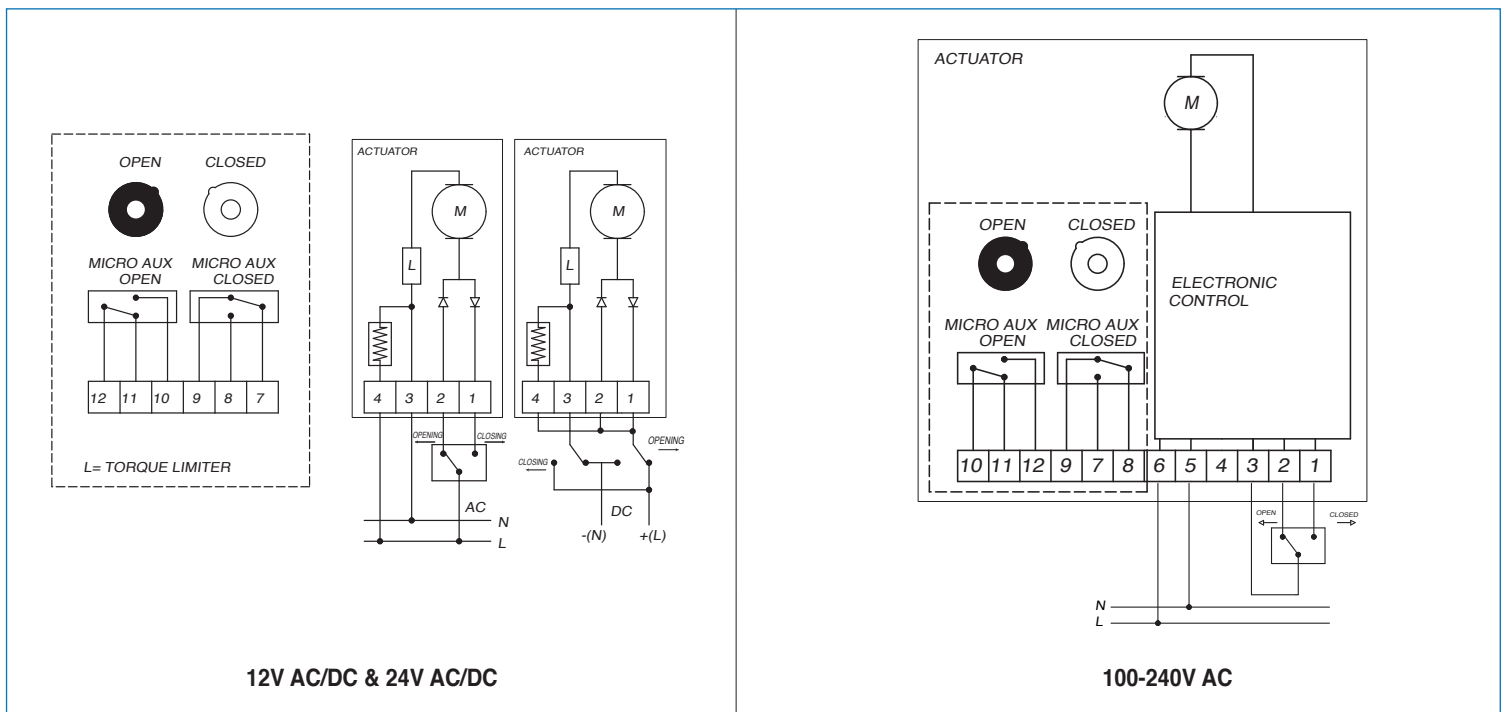
DIMENSIONS

Size	A	B	C	D	E	F	Act.
1/4"	0.45	11.38	9.03	4.84	6.41	1.96	VB015
3/8"	0.49	11.38	9.03	4.84	6.41	1.96	VB015
1/2"	0.06	12.26	9.43	4.84	6.41	2.36	VB015
3/4"	0.78	12.59	9.58	4.84	6.41	2.51	VB015
1"	0.98	13.91	11.18	6.18	7.50	2.79	VB030
1-1/4"	1.25	16.15	14.47	6.18	7.50	3.07	VB030
1-1/2"	1.49	16.84	12.78	6.18	7.50	3.38	VB030
2"	1.96	18.69	14.20	7.28	8.43	3.74	VB060



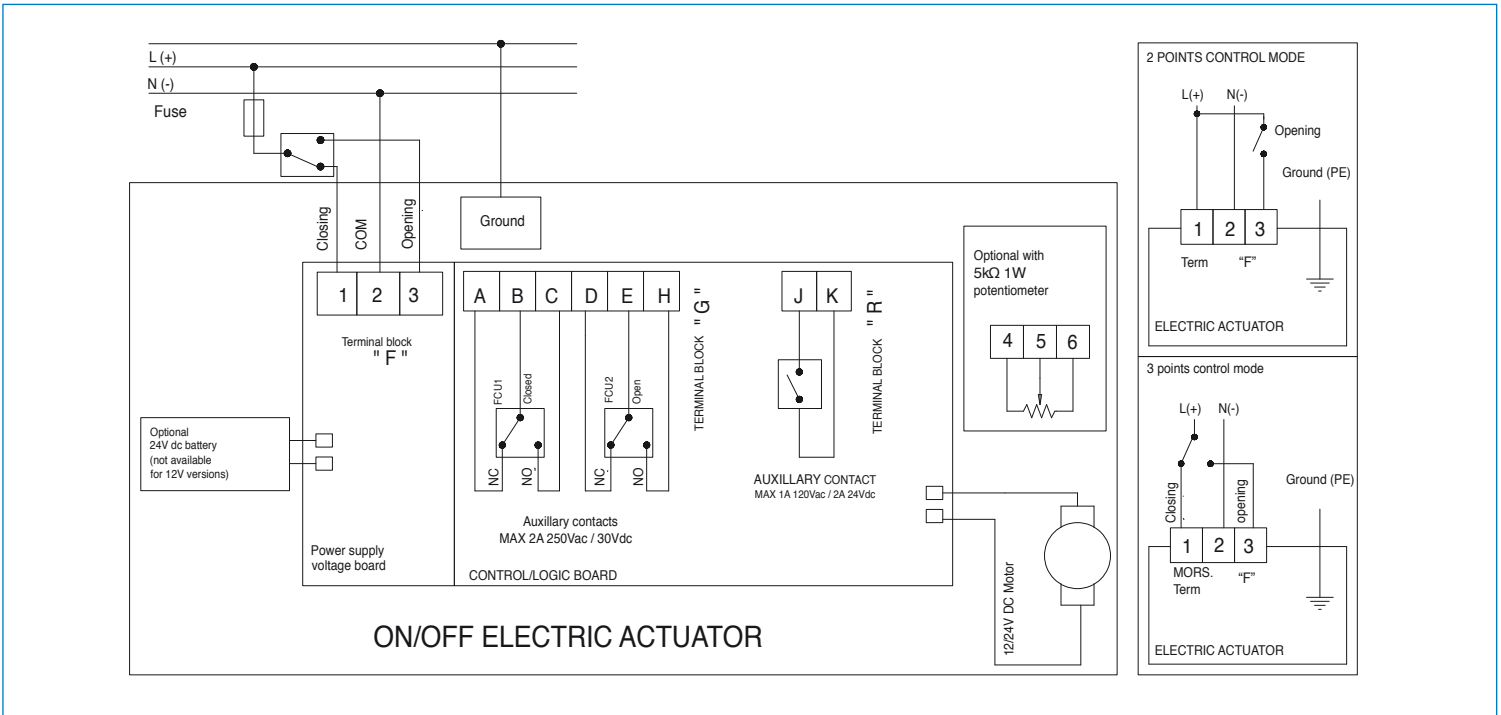
ON/OFF WIRING DIAGRAM - VB015

12V AC/DC, 24V AC/DC & 100-240VAC



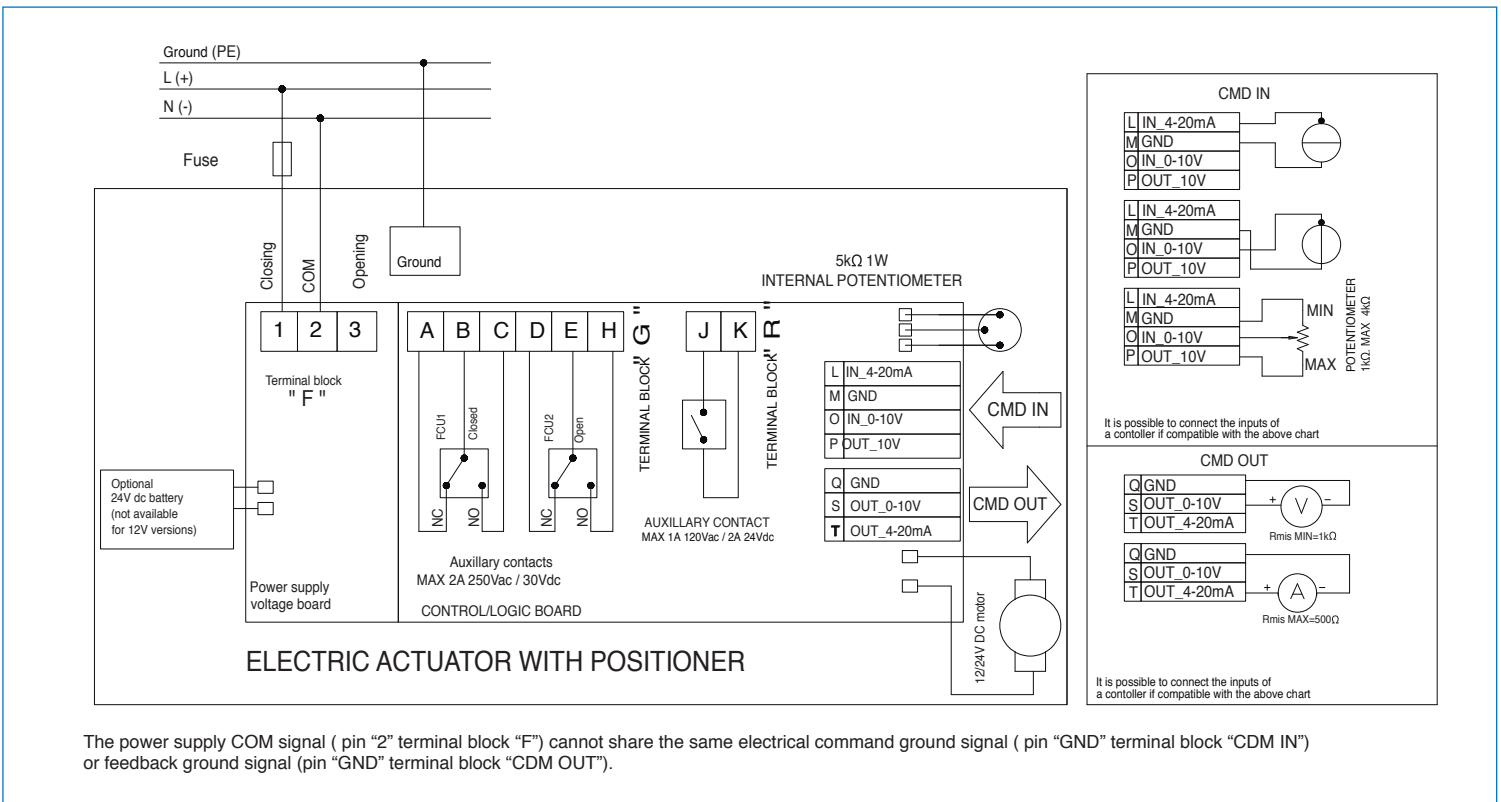
ON/OFF WIRING DIAGRAM - VB030 -VB060

12V AC/DC, 24V AC/DC & 100-240VAC



POSITIONER WIRING DIAGRAM - VB030 -VB060

12V AC/DC, 24V AC/DC & 100-240VAC



The power supply COM signal (pin "2" terminal block "F") cannot share the same electrical command ground signal (pin "GND" terminal block "CDM IN") or feedback ground signal (pin "GND" terminal block "CDM OUT").