



JOB NAME:	CONTRACTOR:
JOB LOCATION:	APPROVAL:
ENGINEER:	CONTRACTOR P.O.:
APPROVAL:	REPRESENTATIVE:

EN501S-0*

**RUBBER-LINED DIRECT MOUNT, LUG STYLE BUTTERFLY VALVE WITH EPDM SEATS AND SS DISC WITH VALBIA ELECTRIC ACTUATOR
SIZES 1-1/2" TO 12"**

E531S - VITON | E541S - BUNA

*001	12V AC/DC	*002	24V AC/DC	*003	100-240VAC
01	BATTERY BACKUP	*02*	POSITIONER	*04*	BAT. BACKUP W POS

SPECIFICATIONS

Bonomi North America series EN501S, cast iron lug style, epoxy coated, resilient seat butterfly valves in sizes 1-1/2"-12", with EPDM seat are NSF/ANSI 61/372 certified.

This series shall offer a dual stem design and ISO 5211/DIN 3337 direct mounting for high cycle automation capabilities.

In addition, the EN501S series features a phenolic-backed cartridge seat design which offers a 250 CWP maximum pressure rating, dead-end service to 100 PSI, and conforms to ANSI B16.1 and ANSI B16.5

The EN500 Series includes an electric actuator with a high-strength, weather-proof technopolymer housing with a heater and thermostat included. The NEMA 4, 4X housing is resistant to dusty areas, and in areas where water may be sprayed.

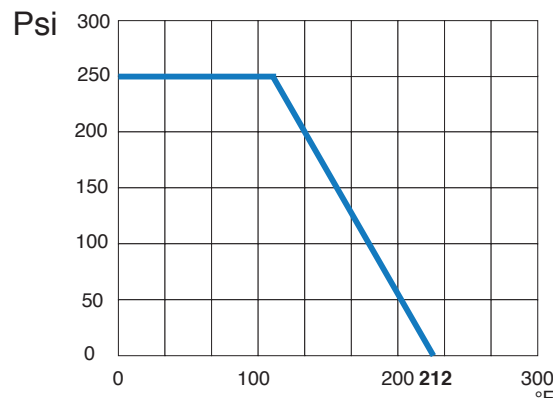
ACTUATOR FEATURES

- Dual Voltages
- CSA, UL approved
- 24V AC/DC and 100-240V AC
- ISO 5211 dual patterns
- 75% Duty Cycle
- High-Strength, Die Cast Aluminum Powder Coated Housing
- Temperature Range -4°F to 131°F
- NEMA 4 Housing
- Two Auxiliary Switches Standard
- Torque limiter standard
- 1/2" Conduit connections

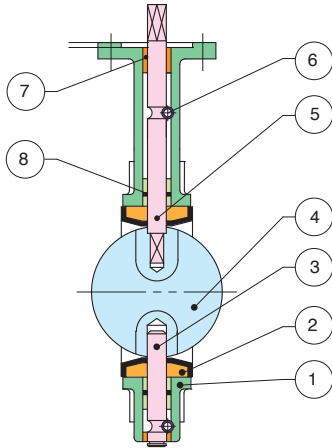
VALVE FEATURES

- Sizes 1-1/2" to 12"
- ISO 5211 Direct Mount/Square Stem
- Epoxy coated Ductile Iron Lug body
- Stainless steel disc
- EPDM resilient seat (-30°F TO 250°F)
- 531S - VITON seats (10°F TO 300°F)
- 541S - BUNA seats (10°F TO 250°F)
- API609 face to face flange
- Floating dual shaft disc design
- MSS SP 67 compliant
- No pins in disc prevent potential leak points
- NSF/ANSI 61, 372 approved

PRESSURE TEMPERATURE CHART FOR N501S

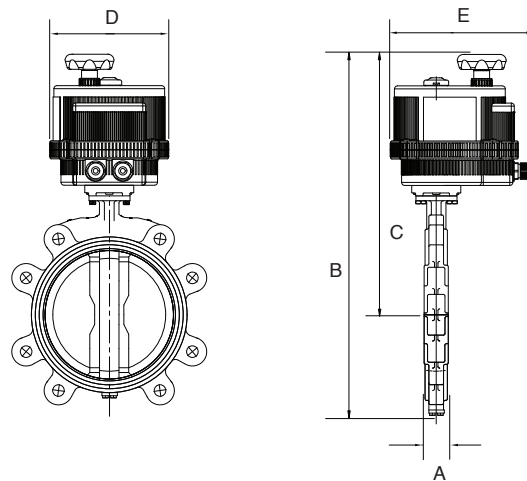


BILL OF MATERIALS FOR N501S



N POS	PART NAME	MODEL	MATERIAL	N PCS
1	BODY		CAST IRON	1
2	SEAT	N501S	EPDM (-30°F TO 250°F)	1
		531S	VITON (10°F TO 300°F)	
		541S	BUNA (10°F TO 250°F)	
3	LOWER SHAFT		SS416	1
4	DISC		STAINLESS STEEL	1
5	UPPER SHAFT		SS416	1
6	LOCATING PIN		CARBON STEEL	1
7	BUSHING		P.T.F.E.	1
8	O-RING		EPDM	1
9	LEVER		EPOXY-COATED CARBON STEEL	1

DIMENSIONS

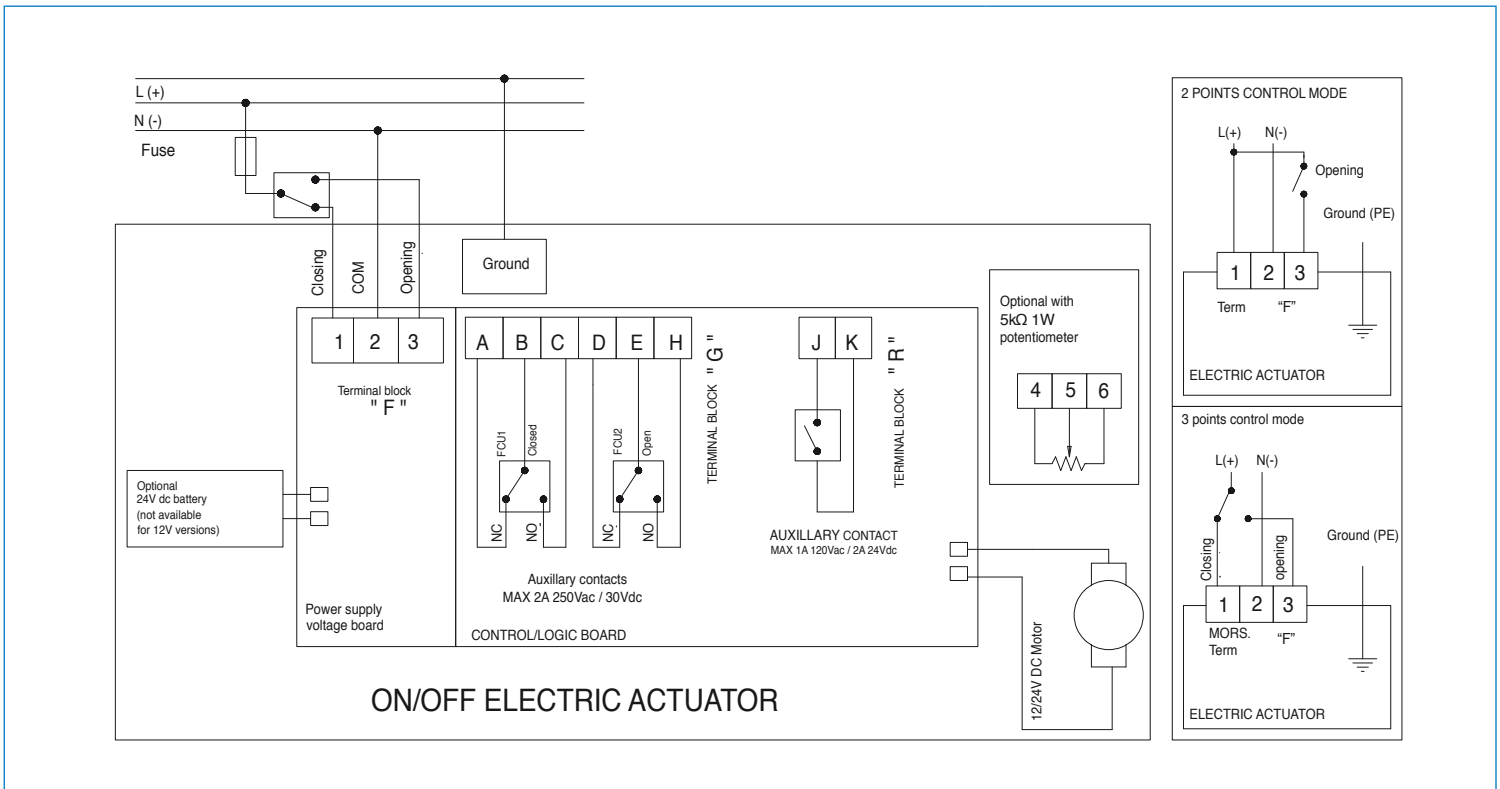


Note: EPDM Seats Std. Other Seating Material Available

SIZE	A	B	C	D	E	ACT.
1-1/2"	1.50	16.08	13.11	6.18	7.48	VB030
2"	2.00	16.89	13.74	6.18	7.48	VB030
2-1/2"	2.50	17.79	14.29	6.18	7.48	VB030
3"	3.00	18.27	14.53	6.18	7.48	VB030
4"	4.00	20.82	16.33	7.28	8.43	VB060
5"	5.00	22.48	17.48	8.31	9.33	VB110
6"	6.00	23.51	18.04	8.31	9.33	VB190
8"	8.00	28.32	21.43	8.74	9.72	VB270
10"	10.00	28.68	20.69	8.74	9.72	VB350
12"	CONSULT FACTORY					

ON/OFF WIRING DIAGRAM

12V AC/DC, 24V AC/DC & 100-240VAC



POSITIONER WIRING DIAGRAM

12V AC/DC, 24V AC/DC & 100-240VAC

