



JOB NAME:	CONTRACTOR:
JOB LOCATION:	APPROVAL:
ENGINEER:	CONTRACTOR P.O.:
APPROVAL:	REPRESENTATIVE:

8P766001

766001 2-WAY CARBON STEEL, ANSI 150 FLANGED, SPLIT BODY STYLE, DIRECT MOUNT, FULL PORT BALL VALVE WITH DOUBLE ACTING ACTUATOR

SIZES 1" TO 4"

8P766003

766001 2-WAY CARBON STEEL, ANSI 150 FLANGED, SPLIT BODY STYLE, DIRECT MOUNT, FULL PORT BALL VALVE WITH SPRING RETURN ACTUATOR

SIZES 1" TO 4"

SPECIFICATIONS

The 8E766001 series pneumatic actuator assembled package features the 766001 series ANSI Class 150, full port, carbon steel split body, ISO 5211 direct mount flanged ball valve. This valve is designed to ANSI 16.5, ANSI 16.10, and ANSI 16.34. It is also certified to API 607, 6th edition, and meets NACE MR 0175 and NACE MR 0103. A grounded ball & stem is standard.

The Valbia pneumatic actuator comes with a hard-anodized aluminum body, and powder coated end caps. In addition, all Valbia pneumatic actuators are standardly furnished with elevated temperature seals to 302°F. The patented side loaded limit stops never enter the piston chamber eliminating extra possible leak paths.

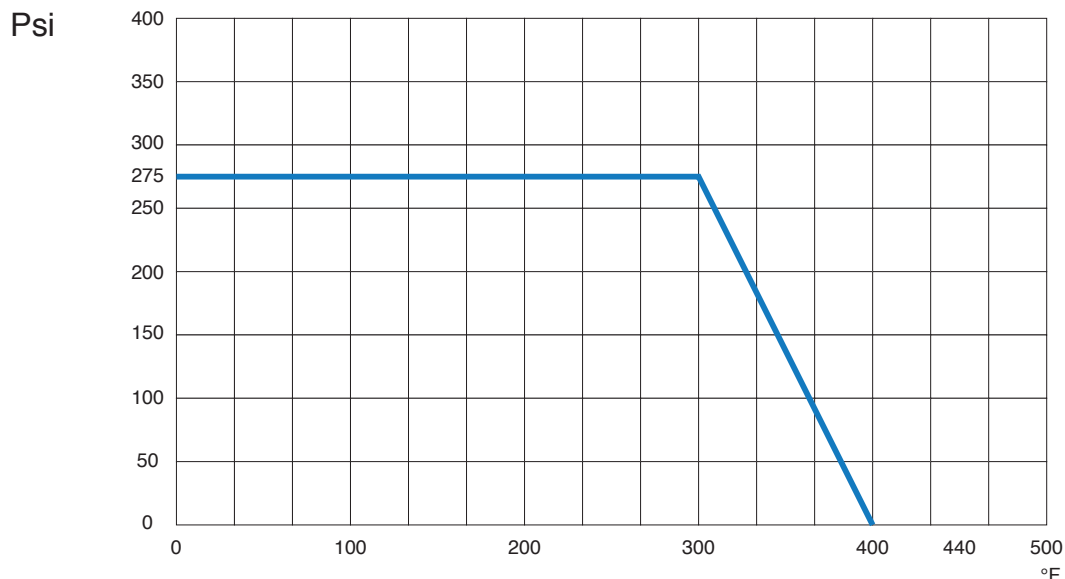
ACTUATOR FEATURES

- Hard anodized extruded aluminum body
- Concentric spring sets
- Die cast aluminum end caps
- Solid steel barstock pinion (not casting)
- 0°-90° rotation adjustment cam
- 0°-90° rotation adjustment bolts
- POM piston guides
- Minimum air pressure rating: 80 psi
- Maximum air pressure rating: 116 psi
- Working temperature: -4°F - 302°F
- No lubrication maintenance required for the entire actuator lifetime
- 100% factory tested

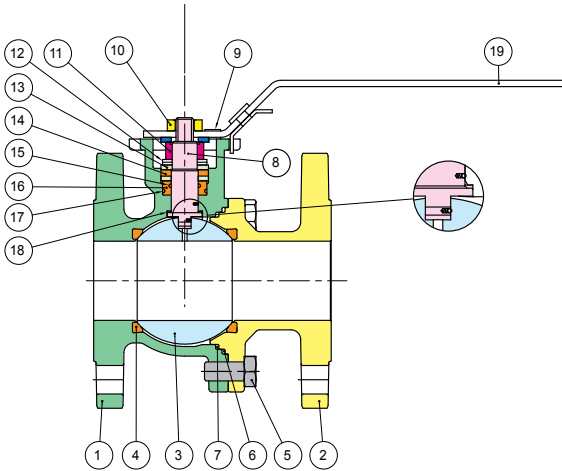
VALVE FEATURES

- Carbon Steel, ANSI class 150 flanged
- Direct mount ISO 5211/square stem
- Full port, sizes 1" to 4"
- Temperature range -4°F to 400°F
- Blow-out proof stem, adjustable stem packing
- P.T.F.E. seats, packing and thrust washer and FKM Viton O-rings
- Fire safe certified to API 607 6th edition
- 100% tested
- ANSI B16.5, B16.10, B16.34 design
- Antistatic device

PRESSURE - TEMPERATURE CHART FOR SERIES 766001



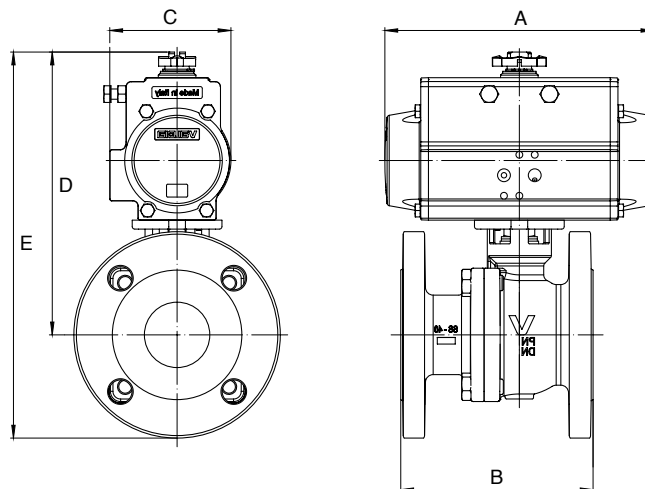
BILL OF MATERIALS FOR 766001



N POS	PART NAME	MATERIAL	N PCS
1	BODY	A216-WCB	1
2	END CONNECTION	A216-WCB	1
3	BALL	A479-304/A351 CF8M	1
4	BALL SEATS	P.T.F.E.	2
5	SCREW	STAINLESS STEEL	4-8
6	BODY SEAL	GRAPHOIL	1
7	BODY SEAL	P.T.F.E.	1
8	STEM	A479-304	1
9	SCREW	CARBON STEEL	1
10	NUT	CARBON STEEL	1

N POS	PART NAME	MATERIAL	N PCS
11	NUT	CARBON STEEL	1
12	SPRING WASHER	CARBON STEEL	2
13	BUSHING	A479-304	2
14	STEM SEAL	GRAPHOIL	1
15	O-RING	FKM (VITON®)	1
16	STEM SEAL	GRAPHOIL	1
17	O-RING	FKM (VITON®)	1
18	THRUST WASHER	P.T.F.E.	1
19	HANDLE	STAINLESS STEEL	1

DIMENSIONS



8P766001

766001 W/ **DOUBLE ACTING** ACTUATOR

Size	A	B	C	D	E	ACT. DA
1"	5.55	5.00	2.80	6.29	8.46	52
1-1/2"	6.46	6.50	3.17	7.59	10.15	63
2"	8.27	7.01	3.72	8.70	11.65	75
3"	9.47	7.99	4.17	10.43	14.17	85
4"	10.83	9.02	4.84	11.49	16.02	100

8P766003

766001 W/ **SPRING RETURN** ACTUATOR

Size	A	B	C	D	E	ACT. SR
1"	6.46	5.00	3.17	6.73	8.89	63
1-1/2"	9.47	6.50	3.72	8.85	11.41	85
2"	10.83	7.01	4.84	9.72	12.67	85
3"	14.65	7.99	5.83	12.79	16.49	115
4"	14.65	9.02	5.83	13.34	17.87	125